

Aero

AEKM20

Aero Three Hole Gooseneck Kitchen Faucet with Elevated Metal Cross Handles and Spray



SHOWN IN AERO THREE HOLE GOOSENECK KITCHEN FAUCET WITH ELEVATED METAL CROSS HANDLES AND SPRAY | AEKM20

TECHNICAL DETAILS

Adjustable Versus Fixed Spray: Fixed Spray
Deck Thickness Maximum: 51 mm
Deck Thickness Minimum: 6 mm
Depth/Width: 275 mm
Fittings Hole Diameter: 35 mm
Handle Spread Maximum: 305 mm
Handle Spread Minimum: 203 mm
Handle Turn Angle: Quarter Turn
Handshower Spray Hose Length: 1.2 m
Height: 340 mm
Inlet Connection Size: 1/2"
Inlet Connection Type: Male with Supply Nut
Restricted Maximum Flow Rate: 9.5 liters/min
Spray Included In Unit: Y
Valve Material: Ceramic
Water Pressure Maximum: 5.5 bar
Water Pressure Minimum: 1.5 bar
Water Pressure Recommended: 3.0 bar

INSPIRATION

Inspired by the stepped detail of 19th century telescopes, Aero is a combination of historical reference with a contemporary temperament. The result is original and modern, bringing a look of updated elegance.

CODES & STANDARDS

ASME A112.18.1-2018/CSA B125.1-18, CEC

PRODUCT FEATURES

- Metal cross handles
- 9" Gooseneck swivel spout. Integrated diverter to divert water between spout and side spray
- Features signature stepped and gadrooned details on escutcheons and edge of spout
- Stocked in Chrome and Nickel
- Available in 1.75gpm (6.6L/min) flow rate

CERTIFICATIONS

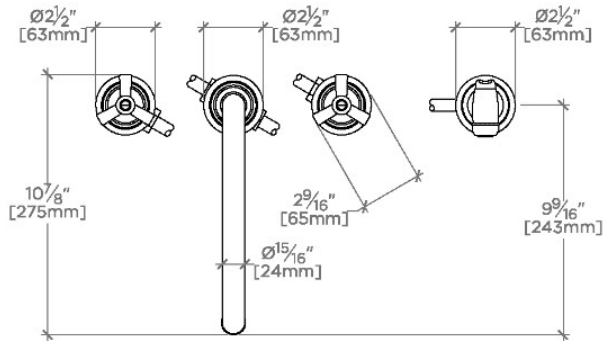
PRODUCT (NOTES)

WATERWORKS

Aero

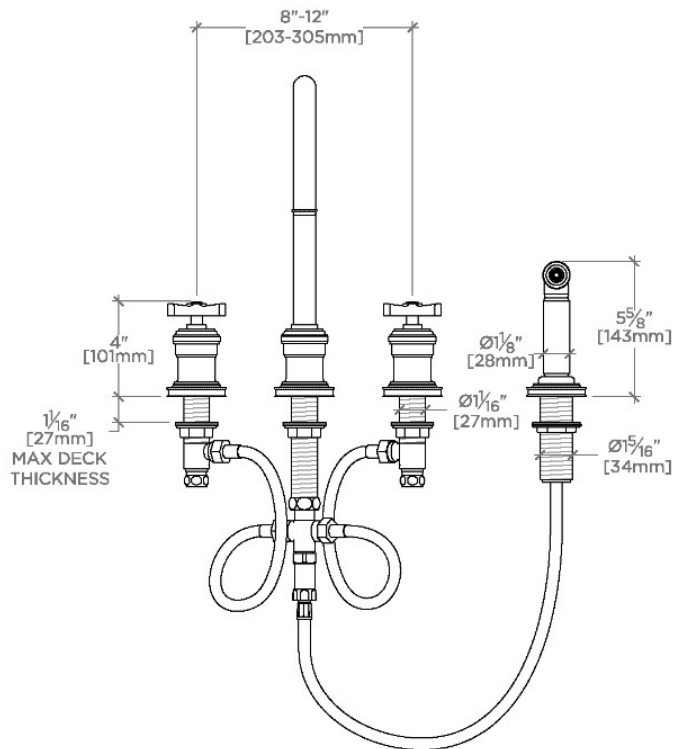
AEKM20

Aero Three Hole Gooseneck Kitchen Faucet with Elevated Metal Cross Handles and Spray



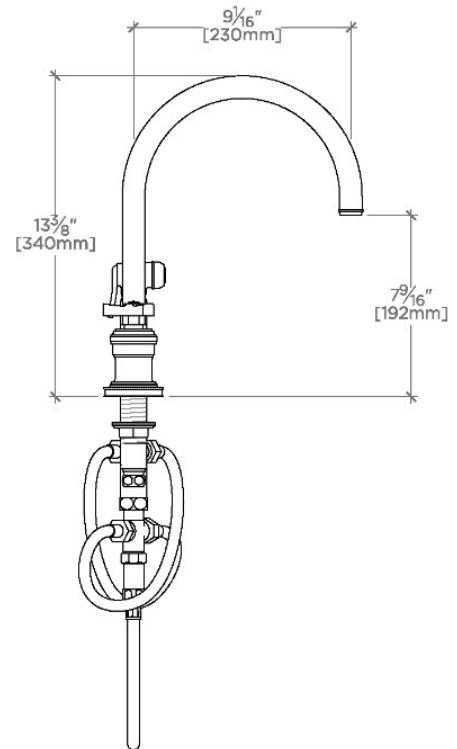
TOP VIEW

SCALE: 1/2"=1'-0"



FRONT VIEW

SCALE: 1/2"=1'-0"



SIDE VIEW

SCALE: 1/2"=1'-0"