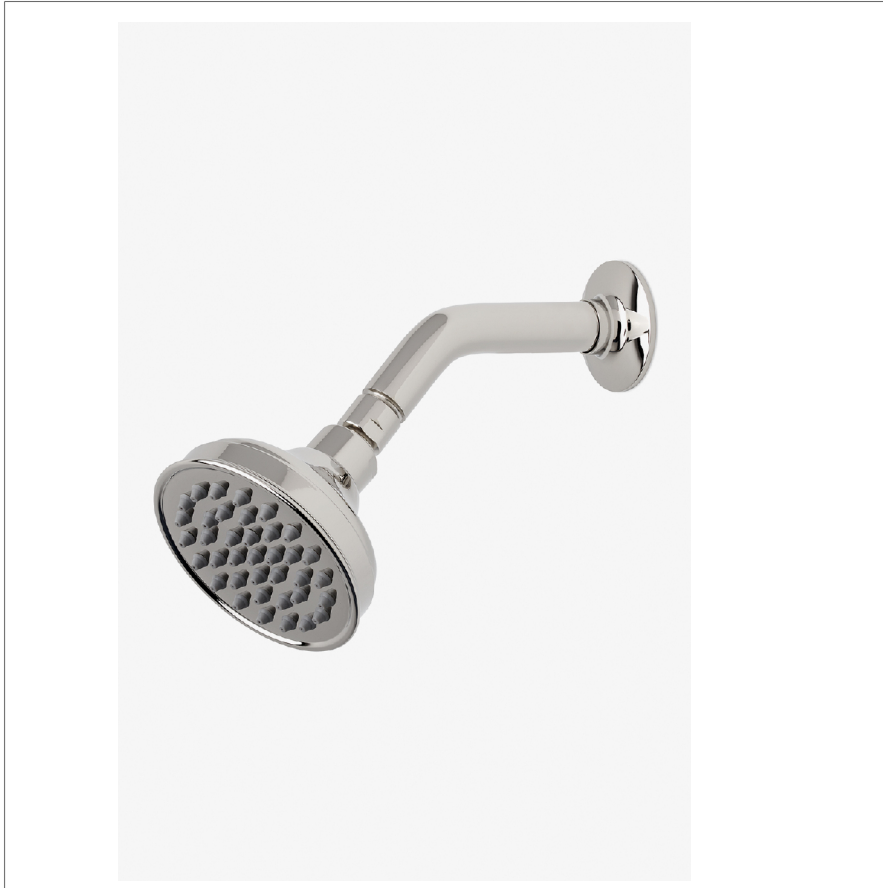


Easton

EAS144

Easton 4" Showerhead with 6" Wall Mounted 45 Degree Shower Arm



SHOWN IN EASTON 4" SHOWERHEAD WITH 6" WALL MOUNTED 45 DEGREE SHOWER ARM | EAS144

TECHNICAL DETAILS

Adjustable Versus Fixed Spray: Fixed
Fittings Hole Diameter: 32 mm
Inlet Connection Size: 1/2"
Inlet Connection Type: Male NPT
Pivot: Y
Primary Material: Brass
Restricted Maximum Flow Rate: 6.6 liters/min
Water Pressure Maximum: 6.0 bar
Water Pressure Minimum: 1.5 bar
Water Pressure Recommended: 3.0 bar

INSPIRATION

Drawing on Edwardian style, Easton is the most extensive Waterworks family; a range of moods and a selection of products from fittings to furniture.

CODES & STANDARDS

EAS144X, ASME A112.18.1/CSA B125.1, CEC(1.5GPM & 1.75GPM Only), DOE, State of MA

PRODUCT FEATURES

Made of Brass

Features a swivel 4" showerhead with easy clean rubber nozzles

Includes a 6" wall mounted 45 degree shower arm

Stocked in Brass, Chrome, Nickel and Matte Nickel

Showerhead available in 1.75gpm (6.6L/min) flow rate

CERTIFICATIONS

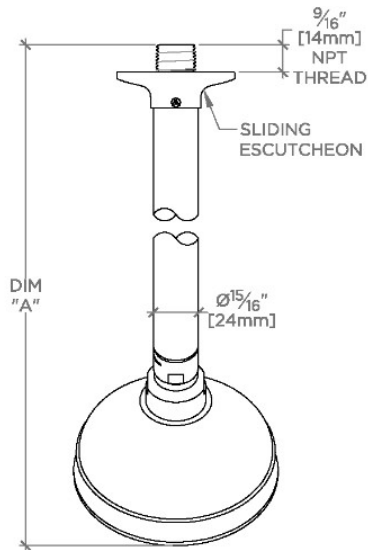


PRODUCT (NOTES)

Easton

EAS144

Easton 4" Showerhead with 6" Wall Mounted 45 Degree Shower Arm



STYLE NO.	DIM "A"	DIM "B"
EAS144	10 ⁷ / ₁₆ " [265mm]	6 ¹ / ₄ " [158mm]
OPS144		
EAS145	12 ⁷ / ₁₆ " [316mm]	8 ¹ / ₄ " [209mm]
OPS145		

