

## Henry

HNWH12

Henry 12" Wall Mounted 90 Degree Shower Arm with Flange



SHOWN IN HENRY 12" WALL MOUNTED 90 DEGREE SHOWER ARM WITH FLANGE | HNWH12

### TECHNICAL DETAILS

Fittings Hole Diameter: 32 mm  
Inlet Connection Size: 1/2"  
Inlet Connection Type: Male NPT  
Outlet Connection Size: 1/2"  
Outlet Connection Type: Male NPT  
Water Pressure Recommended: 3.0 bar

### INSPIRATION

Celebrating the connection of industry and art, Henry transitions effortlessly between modern, traditional, and classic settings. These iconic fittings blend 19th-century industrial and artistic references for a look that's forever of the moment—familiar yet wholly original.

### CODES & STANDARDS

### PRODUCT FEATURES

Compatible with an assortment of Waterworks showerheads, sold separately

Brass Construction

Includes 12" wall mounted 90 degree shower arm

Stocked in Chrome, Nickel and Brass

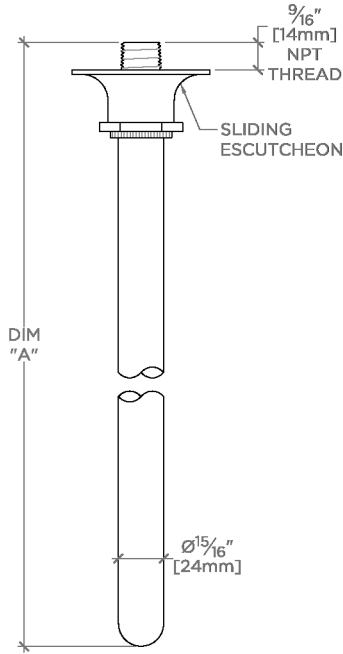
### CERTIFICATIONS

### PRODUCT (NOTES)

## Henry

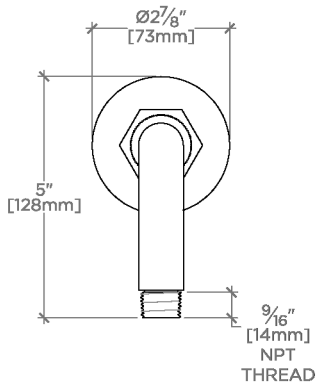
## HNWH12

Henry 12" Wall Mounted 90 Degree Shower Arm with Flange

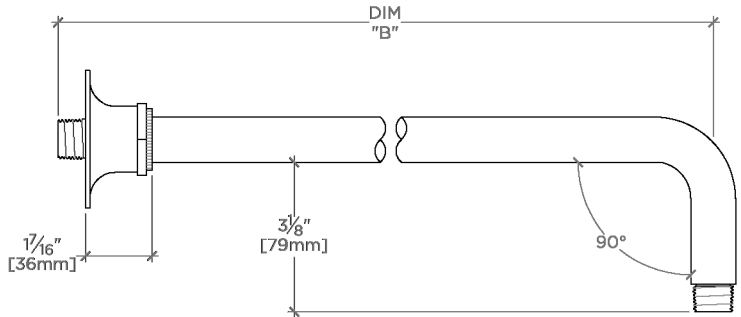


TOP VIEW SCALE: 3"=1'-0"

STYLE NO.	DIM "A"	DIM "B"
HNWH12	13 1/16" [331mm]	12 1/2" [319mm]
HNWH18	19 1/16" [484mm]	18 1/2" [472mm]
HNWH22	23 1/16" [585mm]	22 1/2" [572mm]



FRONT VIEW SCALE: 3"=1'-0"



SIDE VIEW SCALE: 3"=1'-0"