

Transit

TRHS10

Transit Handshower On Bar



SHOWN IN TRANSIT HANDSHOWER ON BAR | TRHS10

TECHNICAL DETAILS

ADA Compliance: When installed per ADA guidelines
 Adjustable Versus Fixed Spray: Fixed Spray
 Diameter Of Head: 64 mm
 Escutcheon Primary Material: Brass
 Fittings Hole Diameter: 32 mm
 Flow Restriction Options: 1.75
 Handshower Spray Hose Length: 1.5 m
 Height: 673 mm
 Inlet Connection Size: 1/2"
 Inlet Connection Type: Female NPT
 Installation Type: Wall Mounted
 Integrated Diverter: N
 Pivot: Y
 Primary Material: Brass
 Suggested Application: Bath
 Water Pressure Maximum: 6.0 bar
 Water Pressure Minimum: 1.5 bar
 Water Pressure Recommended: 3.0 bar

INSPIRATION

Stylish simplicity that fits into any decor. Each design represents a sophisticated mix of modern and traditional influences, streamlined into a sculpted and tapered look.

CODES & STANDARDS

TRHS10X, TRHS10X, ASME A112.18.1/CSA B125.1,
 Waterworks Handshowers use check valves compliant to
 ASME A112.18.3 for backflow protection. State of MA

PRODUCT FEATURES

2 3/16" Head

Features a Fixed Spray Pattern

Stocked in Chrome, Nickel and Brass

Available in 1.75gpm (6.6L/min) flow rate

CERTIFICATIONS

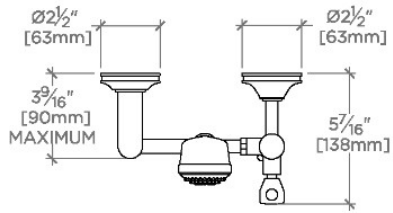


PRODUCT (NOTES)

Transit

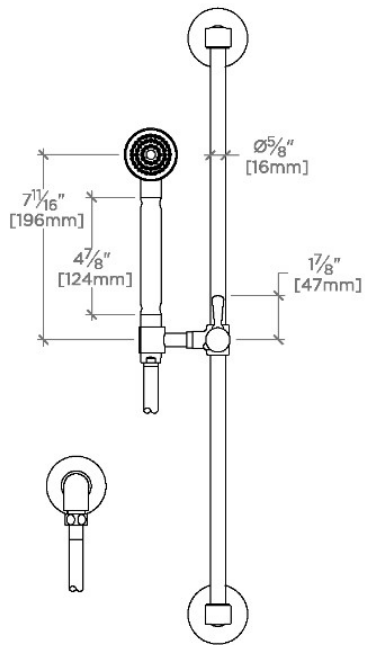
TRHS10

Transit Handshower On Bar



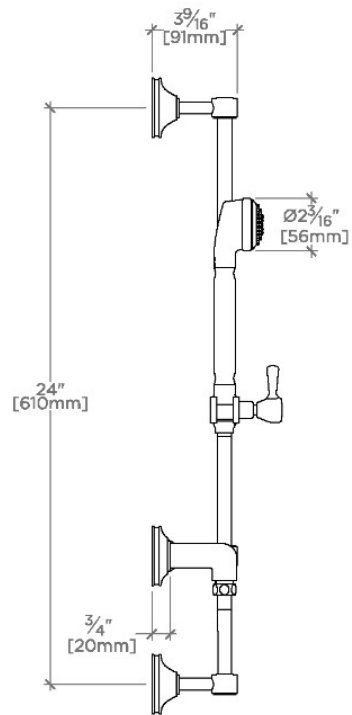
TOP VIEW

SCALE: 1/2"=1'-0"



FRONT VIEW

SCALE: 1/2"=1'-0"



SIDE VIEW

SCALE: 1/2"=1'-0"