

BOND

BTH630

Bond Solo Series Integrated Thermostatic and Dual Volume Control Trim with Knob Handles



SHOWN IN BOND SOLO SERIES INTEGRATED THERMOSTATIC AND DUAL VOLUME CONTROL TRIM WITH KNOB HANDLES | BTH630

TECHNICAL DETAILS

ADA Compliance: Yes
Integrated Diverter: Y
Number Of Holes: Three Hole
Primary Material: Brass

INSPIRATION

Modern designs infused with rare soul and artistry. Explore our wide range of Bond bath and kitchen elements, from fittings to fixtures to hardware.

CODES & STANDARDS

ASME A112.18.1/CSA B125.1, State of MA

PRODUCT FEATURES

Knob Handles

Allows bather to adjust temperature of all waterway outlets with a hot limit safety stop providing anti-scald protection

Stocked in Chrome, Nickel, Brass and Dark Nickel

Requires rough valve, sold separately: GUTH74 (USA) or GU74TH (UK/International)

CERTIFICATIONS



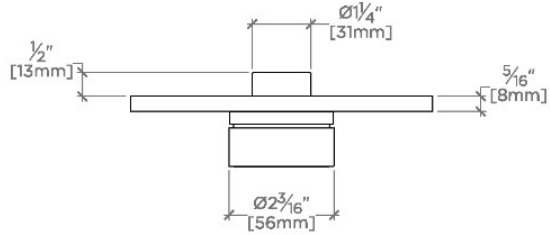
PRODUCT (NOTES)

WATERWORKS

BOND

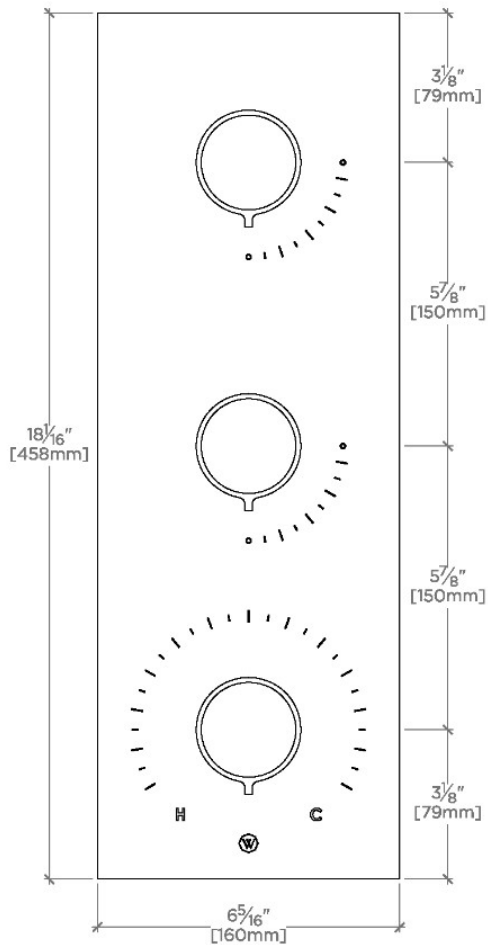
BTH630

Bond Solo Series Integrated Thermostatic and Dual Volume Control Trim with Knob Handles



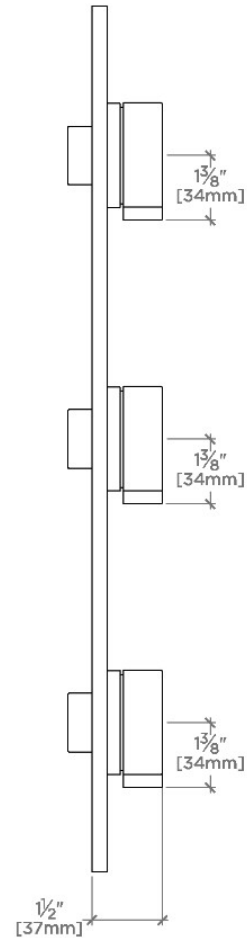
TOP VIEW

SCALE: 3"=1'-0"



FRONT VIEW

SCALE: 3"=1'-0"



SIDE VIEW

SCALE: 3"=1'-0"