

Dash

DSLS70

Dash Three Hole Wall Mounted Lavatory Faucet with Metal Lever Handles



SHOWN IN DASH THREE HOLE WALL MOUNTED LAVATORY FAUCET WITH METAL LEVER HANDLES | DSLS70

TECHNICAL DETAILS

ADA Compliance: Yes
 Depth/Width: 198 mm
 Drain Assembly Materials: Brass, Rubber, Plastic
 Drain Depth Maximum: 67 mm
 Drain Depth Minimum: 10 mm
 Drain Hole Diameter: 44 mm
 Drain Style: Push-Touch
 Escutcheon Primary Material: Brass
 Fittings Hole Diameter: 35 mm
 Flow Restriction Options: 1.75, 1.5, 1.2, 1.0
 Handle Spread Maximum: 203 mm
 Handle Spread Minimum: 203 mm
 Handle Turn Angle: Quarter Turn
 Height: 73 mm
 Inlet Connection Size: 1/2"
 Inlet Connection Type: Male NPT
 Inlet Supply Spread Maximum: 203 mm
 Inlet Supply Spread Minimum: 203 mm
 Installation Type: Wall Mounted
 Length: 383 mm
 Number Of Handles: Two
 Number Of Holes: Three Hole
 Primary Material: Brass
 Restricted Maximum Flow Rate: 4.5 liters/min
 Spout Swivel: N
 Suggested Application: Bath
 Water Pressure Maximum: 6.0 bar
 Water Pressure Minimum: 1.5 bar
 Water Pressure Recommended: 3.0 bar

INSPIRATION

A blend of art and function, Dash pays homage to design elements of the 1930s with pared-down shapes, softened curves and minimal details.

CODES & STANDARDS

DSLS70X, NSF/ANSI/CAN 61:Q < 1, NSF/ANSI/CAN 372, CEC, State of MA

PRODUCT FEATURES

Metal Lever Handle

Includes European push touch style drain.

Stocked in Nickel, Chrome, Unlacquered Brass, and Matte Nickel finishes

Standard flow rate is 2.2gpm (8.3 L/min) and State of California requires 1.2gpm(4.5 L/min). Also available in other flow options. Contact a sales associate for details.

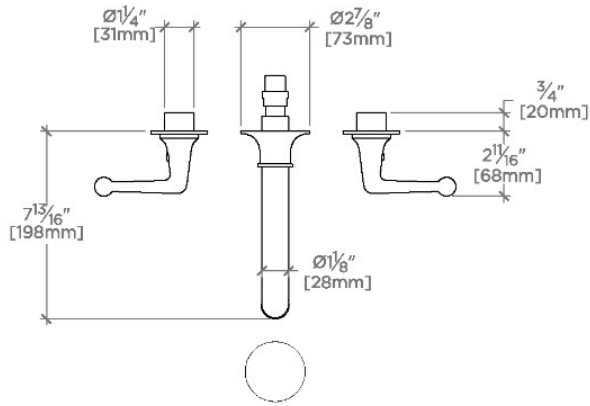
CERTIFICATIONS

Product Requires Universal Lavatory Wall Mounted Rough
PRODUCT NOTES Sold Separately.

Dash

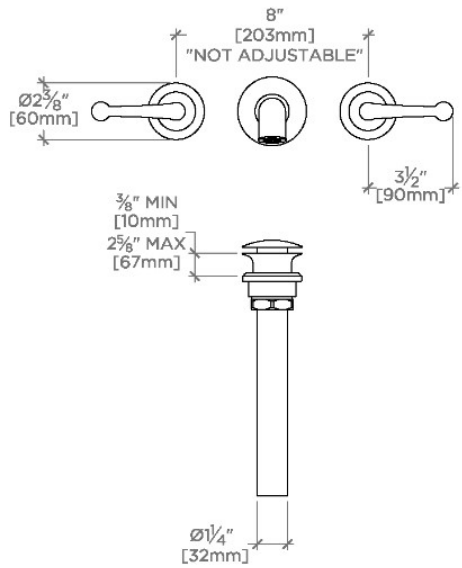
DSLS70

Dash Three Hole Wall Mounted Lavatory Faucet with Metal Lever Handles



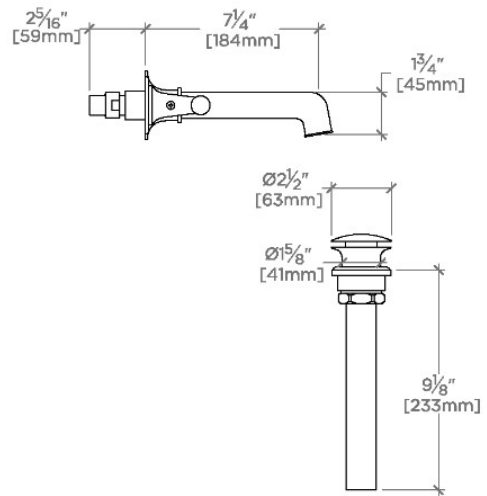
TOP VIEW

SCALE: $1\frac{1}{2}$ "=1'-0"



FRONT VIEW

SCALE: $1\frac{1}{2}$ "=1'-0"



SIDE VIEW

SCALE: $1\frac{1}{2}$ "=1'-0"