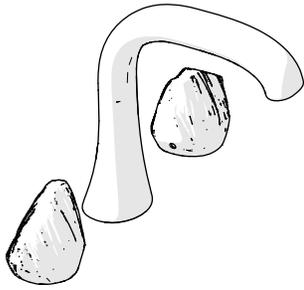


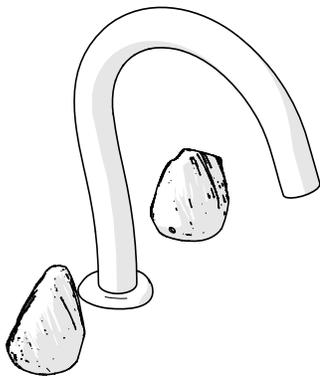
STYLE No. ISLS01
High Profile with
Metal Petra Handle



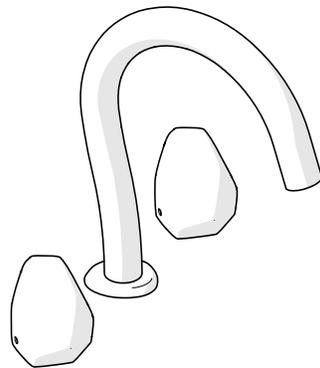
STYLE No. ISLS05
High Profile with
Metal Geode Handle



STYLE No. ISLS21
Gooseneck with
Metal Petra Handle



STYLE No. ISLS25
Gooseneck with
Metal Geode Handle



SPECIFICATIONS:

Deck Thickness Maximum: 2 1/4" [57mm]
Deck Thickness Minimum: 3/8" [10mm]
Drain Depth Maximum: 2-5/8" [67mm]
Drain Depth Minimum: 3/8" [10mm]
Drain Hole Diameter: Ø1-3/4" [44mm]
Drain Style: Push Touch (Drain Included)
Fittings Hole Diameter: Ø1-1/4" [32mm]
Handle Spread Maximum: 12" [305mm]
Handle Spread Minimum: 8" [203mm]
Handle Turn Angle: Quarter Turn
Inlet Connection: 1/2" Male with Supply Nut
Restricted Maximum Flow Rate: 2.2gpm [8.3L/min]
Spout Swivel: N
Valve Material: Ceramic
Water Pressure Maximum: 85psi [6.0 bar]
Water Pressure Minimum: 20psi [1.5 bar]
Water Pressure Recommended: 45psi [3.0 bar]

IMPORTANT:

- To ensure this product is installed properly, you must read and follow these guidelines.
- The owner/user of this product must keep this information for future reference.

- This product must be installed by a professional licensed contractor.
- Be sure your installation conforms to federal state, and local codes. In the State of Massachusetts, all installations must comply with the rules and regulations set forth within 248 CMR.
- Inspect this product to ensure you have all the parts required for proper installation.
- Use only a strap wrench or protected/smooth-jaw wrench on any finished surface.
- The use of certain plumber's putty may stain stone or tile surfaces.

SPOUT INSTALLATION:

- See Figure - 01 for Steps 1 - 3.

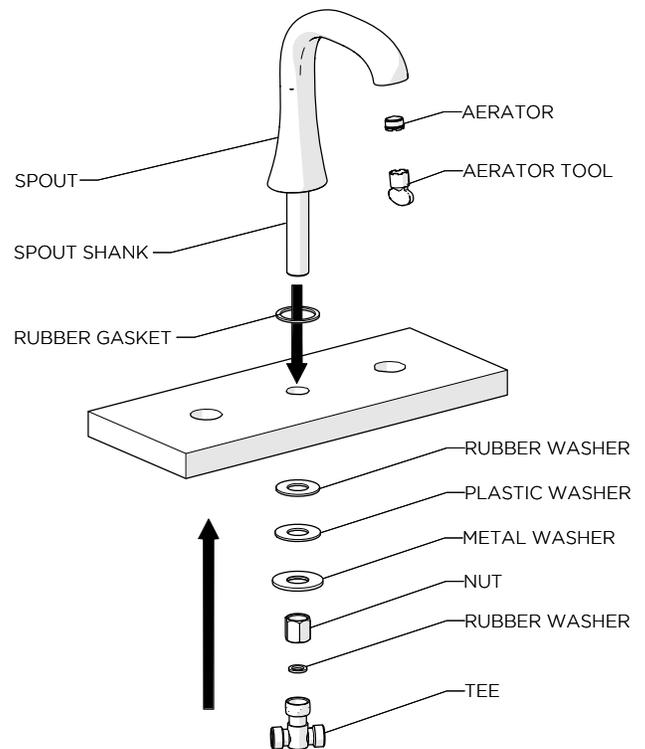


FIGURE - 01

1. Remove the TEE, NUT and WASHERS from the SPOUT SHANK then insert the SHANK through the hole on the mounting surface making sure the RUBBER GASKET is underneath the SPOUT.
2. Re-install the RUBBER WASHER, PLASTIC WASHER, METAL WASHER and NUT as shown. Securely tighten the NUT using a 23mm wrench.
3. Thread the TEE back onto the SHANK and securely tighten using a 23mm wrench.

These guidelines have been prepared for the professional contractor to aid in the installation of:
ISLA HIGH PROFILE & GOOSENECK LAVATORY FAUCET WITH METAL PETRA HANDLES (STYLE No. ISLS01/ISLS21) & METAL GEODE HANDLES (STYLE No. ISLS05/ISLS25).
All dimensions are based on original specification and are subject to change and variation.
Please consult your Design Associate for current specifications.

HANDLE INSTALLATION:

- See Figure - 02 and 03 for Steps 4 - 9.
- **NOTE:** Each VALVE BODY is identified with either a RED for hot or BLUE for cold marking.

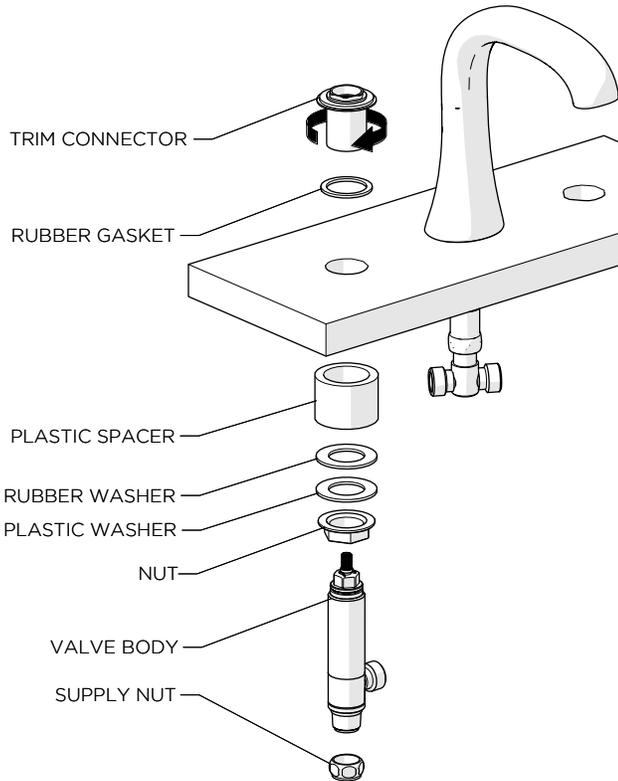


FIGURE - 02

4. Loosen the SET SCREW on the HANDLE using a 2.5mm hex key and remove the HANDLE.
5. Loosen the SCREW inside the HANDLE STEM to remove the ALLIGNMENT COLLAR and STEM together.
6. Unthread and remove the TRIM CONNECTOR.
7. Thread the NUT all the way down the VALVE BODY then slide the WASHERS and PLASTIC SPACER down.
8. Insert the VALVE BODY into the hole on the mounting surface from beneath and then thread the TRIM CONNECTOR onto the VALVE BODY until it is fully seated. Make sure the RUBBER GASKET is beneath the TRIM CONNECTOR.
9. Thread and securely tighten the NUT using a 30mm wrench.
- See Figure - 03 for Steps 10 - 15.
10. Place the HANDLE STEM onto the CARTRIDGE STEM making sure the O-RING is securely attached to the STEM.

11. Thread and securely tighten the SCREW making sure to use the LOCK WASHER.
12. Ensure the ALLIGNMENT COLLAR is securely attached to the HANDLE STEM.
- **NOTE:** If the COLLAR is loose, loosen the SET SCREW using a 2.5mm hex key, fully thread the COLLAR onto the STEM then securely tighten the SET SCREW.
13. Turn the COLLAR to ensure the VALVE BODY is off.
- Turn the HOT VALVE BODY clockwise to close and the COLD VALVE BODY counter-clockwise to close.
14. Place the HANDLE over the ALLIGNMENT COLLAR in the desired orientation and securely tighten the SET SCREW using a 2.5mm hex key.
15. Repeat Steps 10 - 14 to install the second HANDLE.

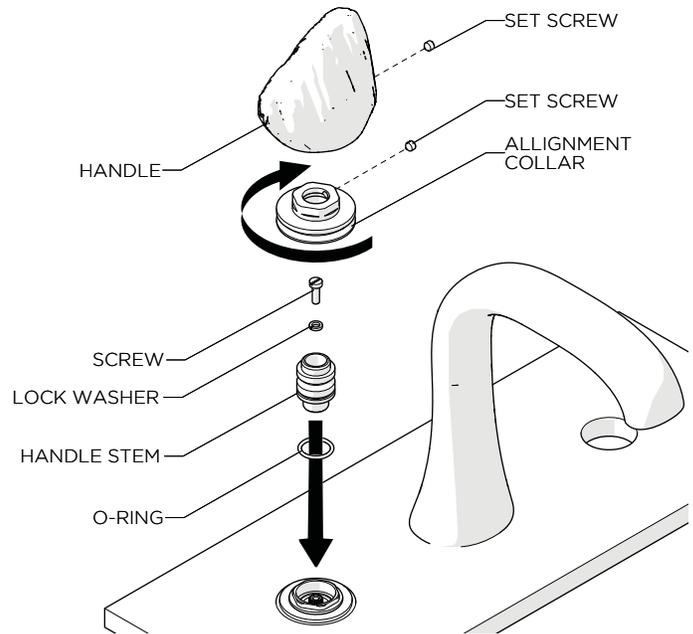


FIGURE - 03

16. Connect the OUTLET HOSES to the TEE then connect each HOSE to the adjacent VALVE BODY. Make sure the HOSES are not pinched/kinked. See Figure - 04.

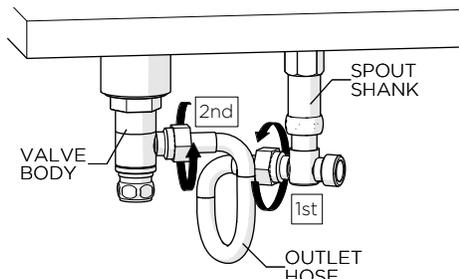


FIGURE - 04

These guidelines have been prepared for the professional contractor to aid in the installation of:
ISLA HIGH PROFILE & GOOSENECK LAVATORY FAUCET WITH METAL PETRA HANDLES (STYLE No. ISLS01/ISLS21) &
METAL GEODE HANDLES (STYLE No. ISLS05/ISLS25).
All dimensions are based on original specification and are subject to change and variation.
Please consult your Design Associate for current specifications.

WATERWORKS

DRAIN INSTALLATION:

- See Figure - 05 for Steps 17 - 20.
- The use of certain plumber's putty may stain stone or tile surfaces.

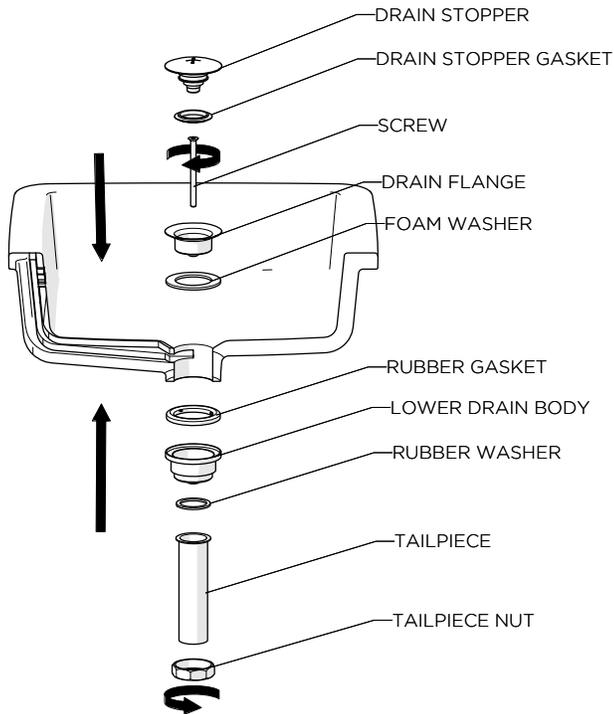


FIGURE - 05

17. Remove the TAILPIECE from the LOWER DRAIN BODY.
18. Unthread and remove the DRAIN STOPPER and LOWER DRAIN BODY from the DRAIN FLANGE.
 - The FOAM WASHER can be discarded.
19. Set the DRAIN FLANGE in the lavatory drain opening using putty or a clear adhesive silicone.
20. Re-install the LOWER DRAIN BODY making sure to use the GASKET provided. Ensure the GASKET makes a full seal on the underside of the lavatory then securely tighten the SCREW using a 5/32" or 4mm hex key.
 - Putty or a clear adhesive may be used to ensure a water-tight seal between the RUBBER GASKET and lavatory.
21. Re-install the TAILPIECE using the WASHER and NUT provided and re-install the STOPPER.
22. Connect the tailpiece to the p-trap (sold separately).
23. Connect the VALVE BODIES to the supply valves (sold separately).

INSPECT AND FINISH THE INSTALLATION:

24. Remove the AERATOR then turn on the water supply to flush out any debris in the supply lines. Operate the HANDLES to ensure they are functioning properly.
25. Inspect all connections for leaks.
26. Close the DRAIN and fill the lavatory with water to make sure the DRAIN STOPPER and GASKETS operate and seal properly.
27. Turn off the water and re-install the AERATOR.
 - If further assistance is required, please contact Product Support at 1-800-927-2120 Monday through Friday, 8am - 7pm EST.
 - Refer to the separate Service Parts Documents for available replacement parts.