

UNIVERSAL

Universal Wall Mounted Tub Spout

UN22TS



SHOWN IN UNIVERSAL WALL MOUNTED TUB SPOUT | UN22TS

TECHNICAL DETAILS

Adjustable versus Fixed Spray: Fixed Spray
Escutcheon Primary Material: Brass
Fittings Hole Diameter: 32 mm
Depth / Width: 183 mm
Height: 87 mm
Inlet Connection Size: 3/4"
Inlet Connection Type: Male G/BSPP
Installation Type: Wall Mounted
Length: 87 mm
Primary Material: Brass
Spout Reach: 6 1/2"
Spout Swivel: N
Suggested Application: Bath
Water Pressure Maximum: 5.5 bar
Water Pressure Minimum: 1.5 bar
Water Pressure Recommended: 3.0 bar

INSPIRATION

Our Universal collection features timeless designs complementing any of our Waterworks. With a wide range of product, from fittings to accessories, Universal adds exquisite proportion and balance to any environment.

PRODUCT FEATURES

Create a refined environment for your daily ritual by installing an exquisitely proportioned Universal tub spout

Generously sized and shaped with sculptural grace

A wall mounted tub spout works seamlessly with Waterworks' thermostatic or diverter shower systems

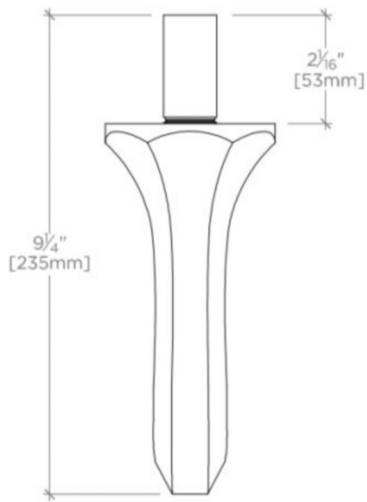
WATERWORKS

UNIVERSAL

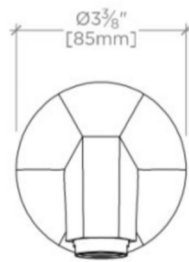
UN22TS

Universal Wall Mounted Tub Spout

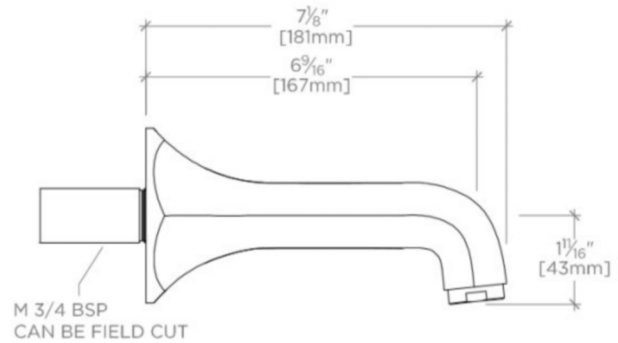
ADAPTER(S) PACKAGED SEPARATELY		
ADAPTER	DESCRIPTION	QTY
UNUK06	3/4" NPT Male x 3/4" Male Nipple 50mm Long BSP	1



TOP VIEW SCALE: 3"=1'-0"



FRONT VIEW SCALE: 3"=1'-0"



SIDE VIEW SCALE: 3"=1'-0"