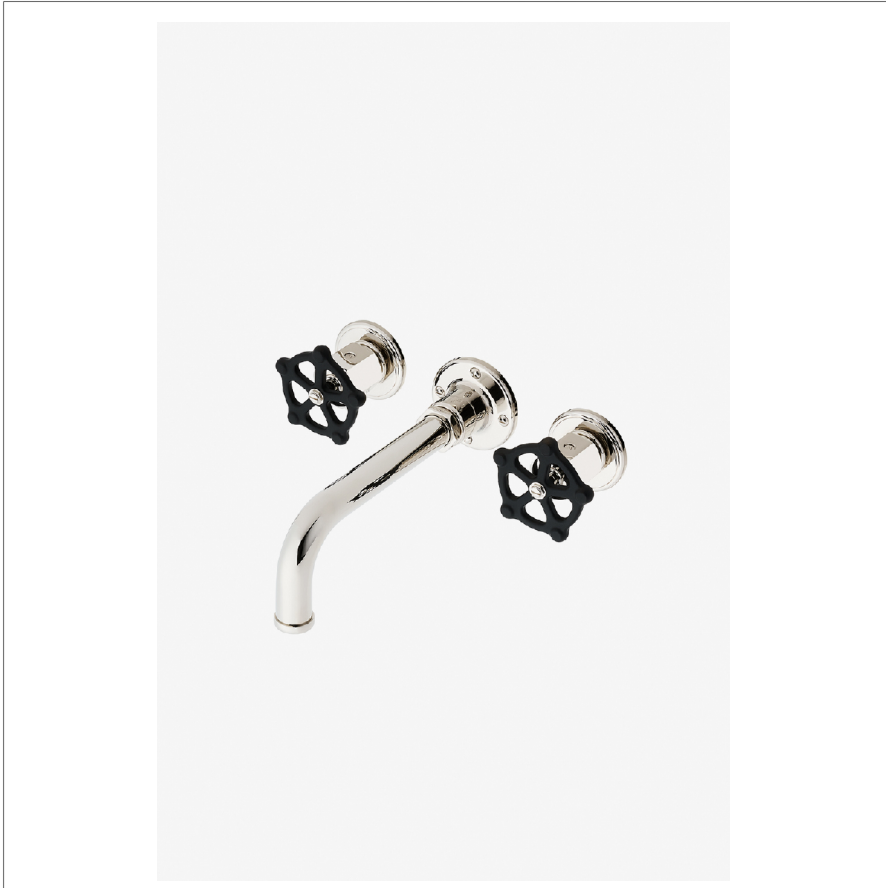


REGULATOR

RGLS62

Regulator Wall Mounted Lavatory Faucet with Two-Tone Wheel Handles



SHOWN IN REGULATOR WALL MOUNTED LAVATORY FAUCET WITH TWO-TONE WHEEL HANDLES | RGLS62

INSPIRATION

A play on industrial controls from the early 1900s, when pride was lavished on parts. Translated to handcrafted, fittings project rugged beauty through powerful, detailed shapes.

PRODUCT FEATURES

Two-Tone Wheel Handles

Includes Universal Push-Touch Drain (UNLD23) which fits 1-1/2" through 1-3/4" drain hole openings

Stocked in Nickel/Matte Black and Brass/Matte Black

Available in 1.2gpm (4.5L/min) flow rate

TECHNICAL DETAILS

ADA Compliance: No
Restricted Maximum Flow Rate: 1.2 gpm

CODES & STANDARDS

RGLS62-F.RX, NSF/ANSI/CAN 61:Q < 1, NSF/ANSI/CAN 372, ASME A112.18.1/CSA B125.1, WaterSense(1.0GPM and 1.2GPM Only), CEC, DOE, State of MA

CERTIFICATIONS



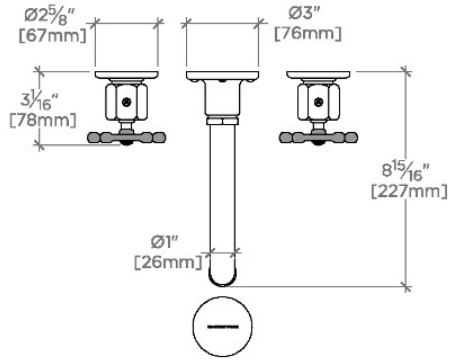
PRODUCT (NOTES)

WATERWORKS

REGULATOR

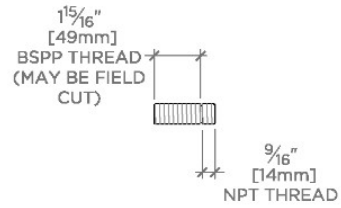
RGLS62

Regulator Wall Mounted Lavatory Faucet with Two-Tone Wheel Handles

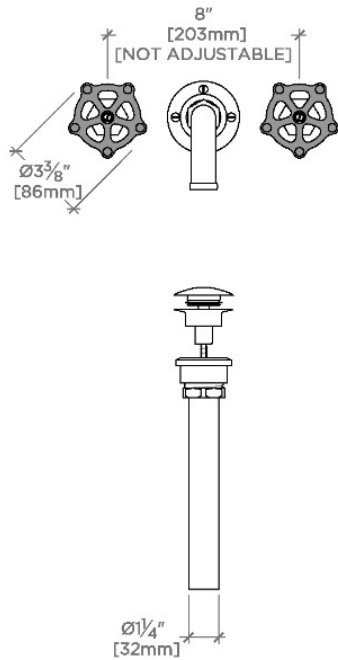


TOP VIEW

SCALE: 1/2"=1'-0"

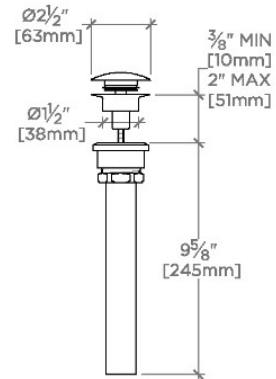
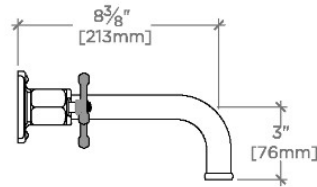


ADAPTER INCLUDED-INTERNATIONAL USE ONLY



FRONT VIEW

SCALE: 1/2"=1'-0"



SIDE VIEW

SCALE: 1/2"=1'-0"