

EMILE

EEBT01

Emile 67" x 27" x 27 1/2" Freestanding Oval Cast Iron Bathtub



SHOWN IN EMILE 67" X 27" X 27 1/2" FREESTANDING OVAL CAST IRON BATHTUB | EEBT01

TECHNICAL DETAILS

ADA Compliance: No
 Adjustable Levelers Feet: Y
 Bathing Type: Bathing and Soaking
 Depth To Overflow: 12 9/16"
 Depth/Width: 27"
 Drain Hole Diameter: 2 1/16"
 Height: 27"
 Installation Type: Freestanding
 Item Weight Filled: 912.0 pounds
 Length: 67 5/16"
 Overflow Hole Diameter: 2"
 Overflow Opening: Yes
 Single Or Double Ended: Double Ended

INSPIRATION

Made with graceful vintage-inspired lines and sheathed in brass, this classic cast-iron bathtub lends a room a stunning focal point. Precise artistry and 5 days of hand-polishing enhance the old-world feel; left unfinished, the brass will take on a warm, lush patina.

CODES & STANDARDS

PRODUCT FEATURES

- Solid Brass wrapped cast iron tub
- Constructed of the finest cast iron with pure white enamel interior
- Available with optional slip resistant bottom, a built-in safety feature
- Waste and Overflow (UNWO76) sold separately
- Tub ships with protective wax coating on brass exterior

CERTIFICATIONS

Dimensions of fixtures are nominal. Measure your actual
PRODUCT NOTES
 Installation of this product in a wet environment such as
 outdoors, steam rooms, or within showering stalls voids
 all Warranty.

WATERWORKS

EMILE

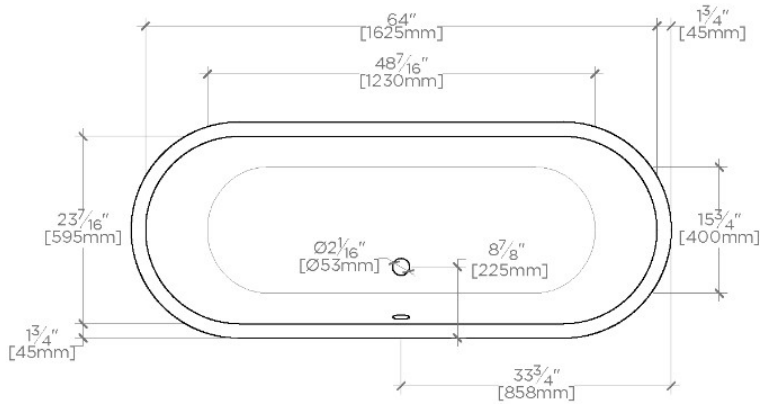
EEBT01

Emile 67" x 27" x 27 1/2" Freestanding Oval Cast Iron
Bathtub

RECOMMENDED WASTE & OVERFLOW STYLE #:

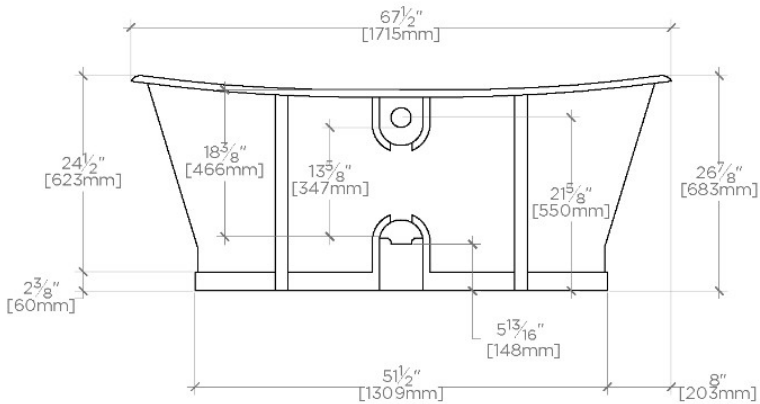
UNWO76 - UNIVERSAL DRAIN PLUG WASTE AND OVERFLOW DRAIN

Dimensional Tolerance	
> 7 ⁷ / ₈ " [200mm]	± 0.8%
< 7 ⁷ / ₈ " [200mm]	± 1.8%



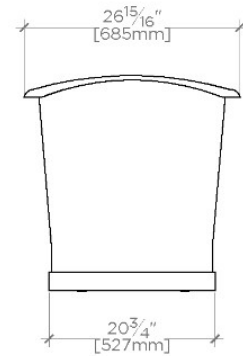
TOP VIEW

SCALE: 1/2"=1'-0"



SIDE VIEW

SCALE: 1/2"=1'-0"



END VIEW

SCALE: 1/2"=1'-0"