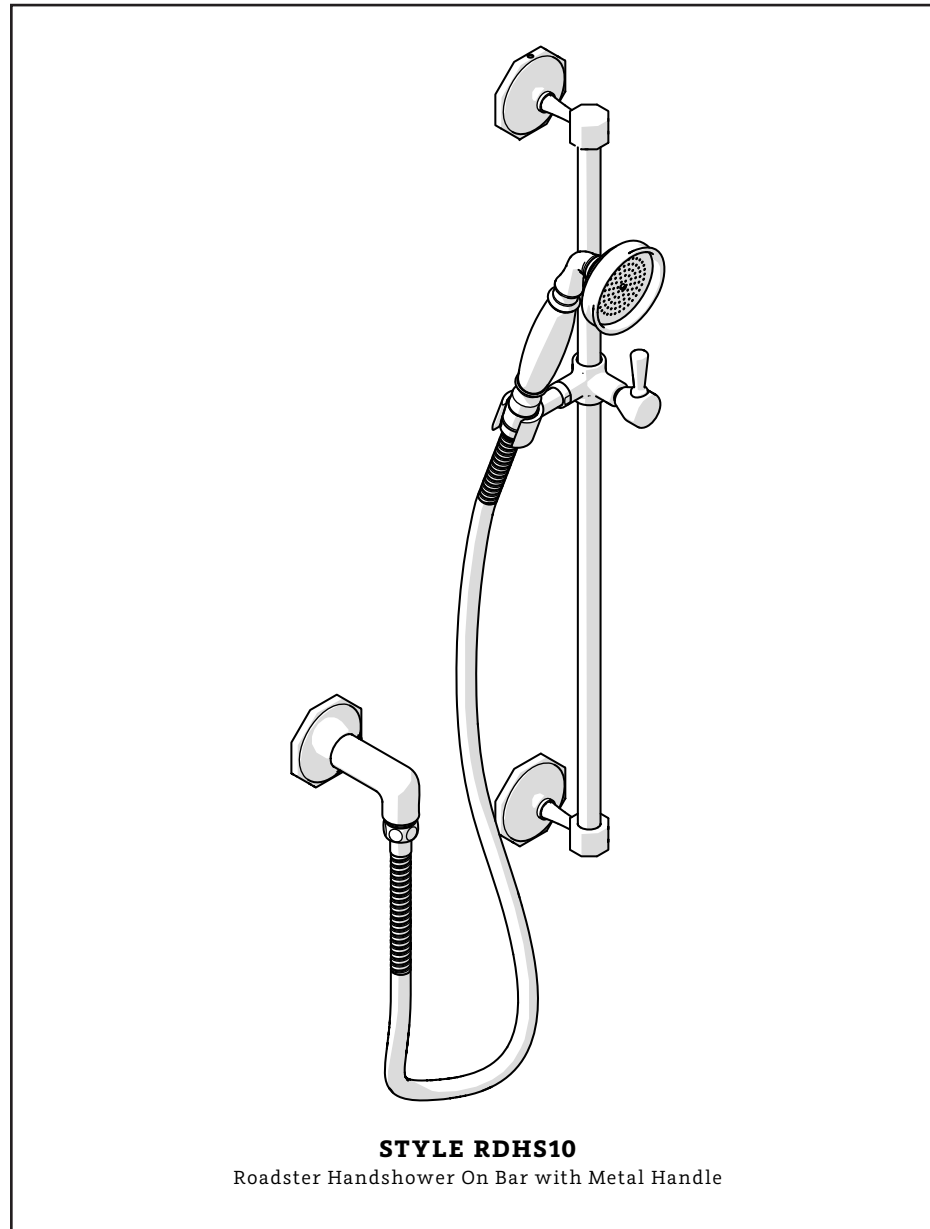


WATERWORKS  
STUDIO

SERVICE PARTS



---

WELCOME TO

# WATERWORKS STUDIO

Over thirty years of experience distilled into signature fittings, surfaces, textiles, and accessories. Waterworks Studio is an edited collection of design solutions curated to be concise, engineered to be complete, and crafted for quality.

*Everything you need, nothing more.*

---

**TO ORDER PARTS CALL  
1 (800) 927-2120 (EXT 2)**

Order by part number and specify color, finish, or other options if required.

**PRODUCT SUPPORT**

Our Product Support team provides troubleshooting and technical problem resolution, including replacement parts and installation recommendations throughout the life of your product.

Product Support is available Monday through Friday, 9am-6pm.

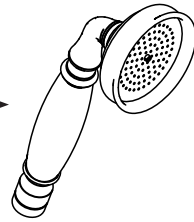
**LIMITED LIFETIME  
WARRANTY**

Our warranty covers repair and replacement of Waterworks products if within the applicable coverage period and deemed defective by Waterworks. Waterworks will, at its option, repair or replace such products; this does not include installation costs, labor charges, or other incidental or consequential costs.

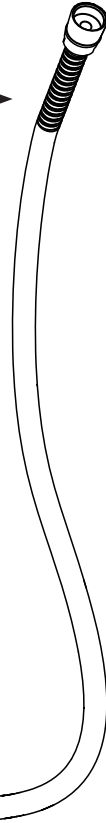
To obtain your complete warranty or inquire about warranty service, please visit us at [www.waterworks.com](http://www.waterworks.com) or contact our Product Support Team.

**MAIN KITS**

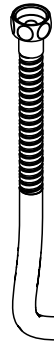
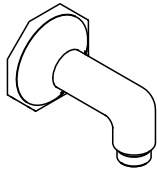
535601\*  
SPRAY KIT



435041\*  
HOSE KIT



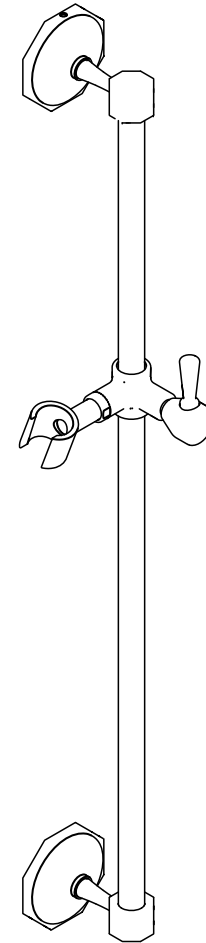
651989\*  
HANDSHOWER  
ELBOW KIT



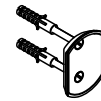
\*FINISH/COLOR MUST BE SPECIFIED WHEN ORDERING  
++SUPPLIED AS A PAIR



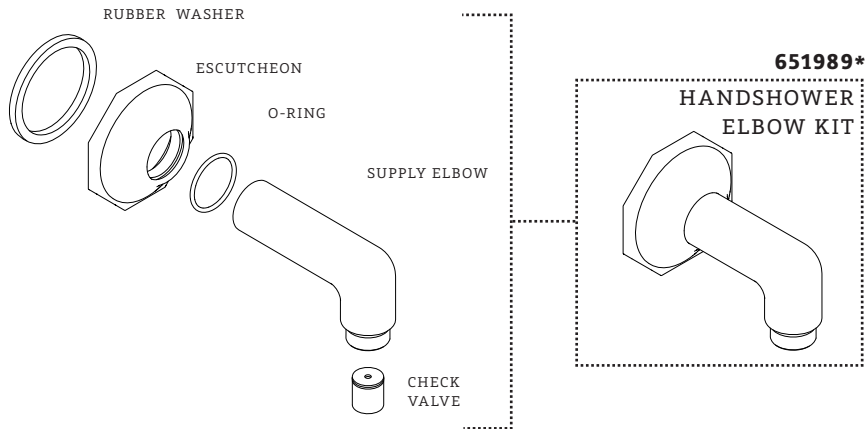
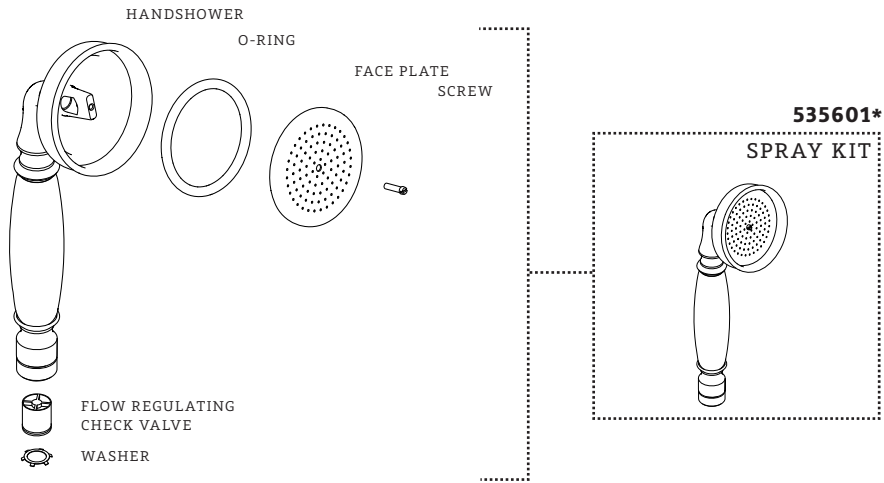
702454  
MOUNTING HARDWARE KIT



975889\*  
SPRAY RETURN KIT

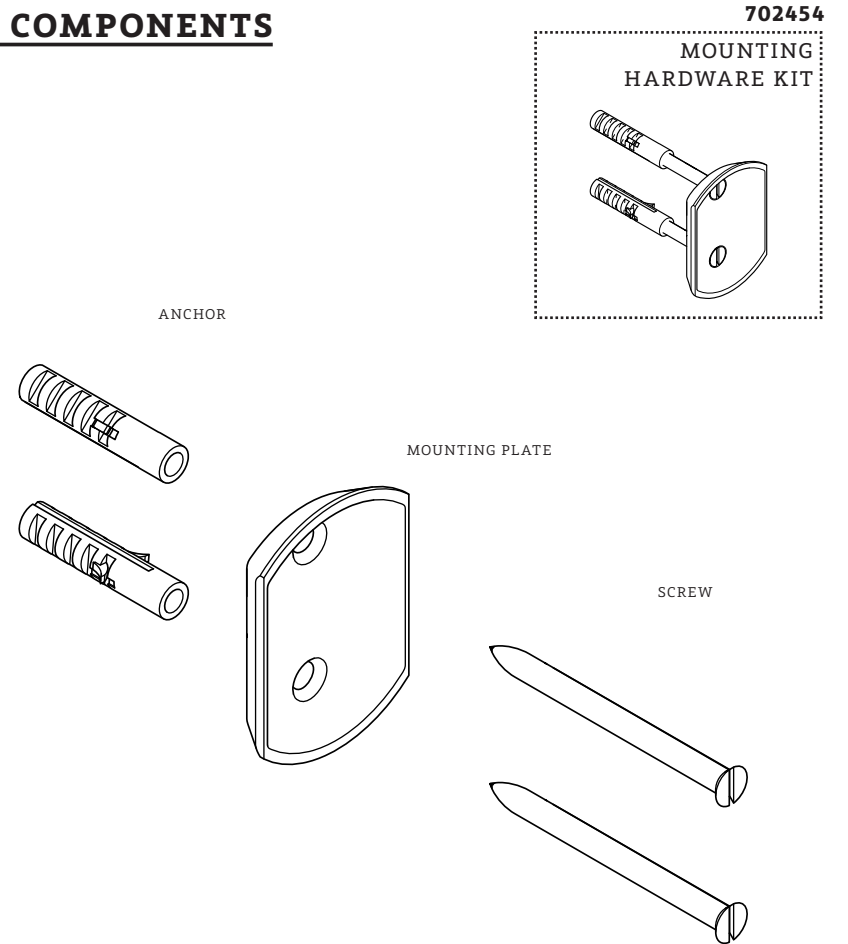


**KIT COMPONENTS**



\*FINISH/COLOR MUST BE SPECIFIED WHEN ORDERING  
++SUPPLIED AS A PAIR

**KIT COMPONENTS**

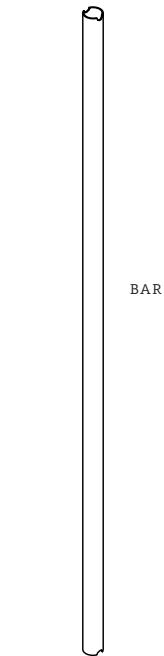
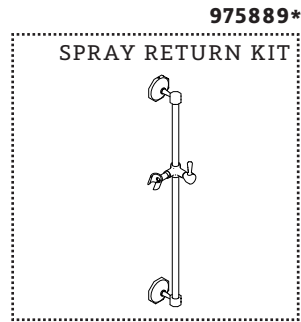
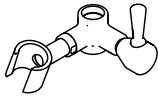


**KIT COMPONENTS**

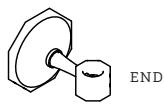
**317610**  
FASTENING SET SCREW




**316943\***  
HANDSHOWER  
CRADLE KIT



BAR



END

 SET SCREW

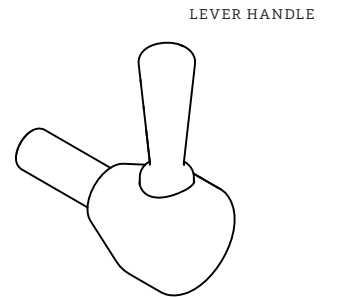
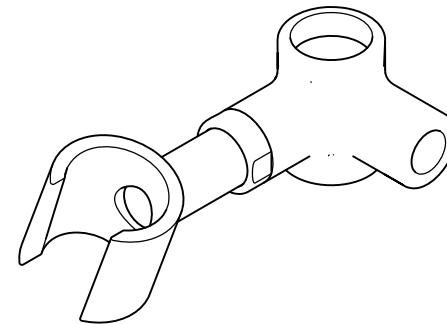
\*FINISH/COLOR MUST BE SPECIFIED WHEN ORDERING  
++SUPPLIED AS A PAIR

**KIT COMPONENTS**



BUSHING

COLLAR



LEVER HANDLE

**NOTES**

**SERVICE PARTS INDEX**

<u>STYLE</u>	<u>DESCRIPTION</u>	<u>PG</u>
317610	FASTENING SET SCREW	6
316943*	HANDSHOWER CRADLE KIT	7
651989*	HANDSHOWER ELBOW KIT	4
702454	MOUNTING HARDWARE KIT	5
535601*	SPRAY KIT	4
975889*	SPRAY RETURN KIT	6

WATERWORKS  
STUDIO

**PRODUCT SUPPORT**

60 BACKUS AVENUE  
DANBURY, CT 06810

1 (800) 927-2120 (EXT 2)

[WWW.WATERWORKS.COM/STUDIO](http://WWW.WATERWORKS.COM/STUDIO)