

Finot

NOXT90

Finot One Hole Floor Mounted Tub Filler with Handshower and Lever Handle



SHOWN IN FINOT ONE HOLE FLOOR MOUNTED TUB FILLER WITH HANDSHOWER AND LEVER HANDLE | NOXT90

TECHNICAL DETAILS

ADA Compliance: No
 Fittings Hole Diameter: 98 mm
 Handle Turn Angle: Quarter Turn Each Way
 Handshower Spray Hose Length: 1.5 m
 Inlet Connection Size: 1/2"
 Inlet Connection Type: Female NPT
 Water Pressure Maximum: 6.0 bar
 Water Pressure Minimum: 1.5 bar
 Water Pressure Recommended: 3.0 bar

INSPIRATION

Finot seamlessly blends meticulous details with contemporary sensibility. A true integration of design and engineering expertise, this collection is comprised of parts that are decisively cast and forged to achieve painstaking precision and refinement.

CODES & STANDARDS

NOXT90-F.RX, ASME A112.18.1/CSA B125.1, CEC(1.5GPM & 1.75GPM Only), WaterSense(1.5GPM & 1.75GPM), DOE, State of MA, WRAS, NOM-008, NOM-012

PRODUCT FEATURES

Diverter handle allows bather to move water from spout to handshower

Handshower offers a fixed spray pattern

Stocked in Chrome, Nickel, Brass and Dark Nickel

CERTIFICATIONS



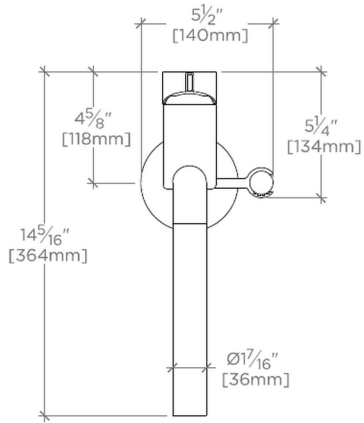
PRODUCT (NOTES)

WATERWORKS

Finot

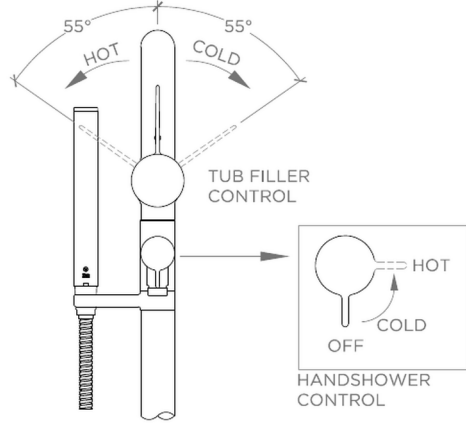
NOXT90

Finot One Hole Floor Mounted Tub Filler with Handshower and Lever Handle

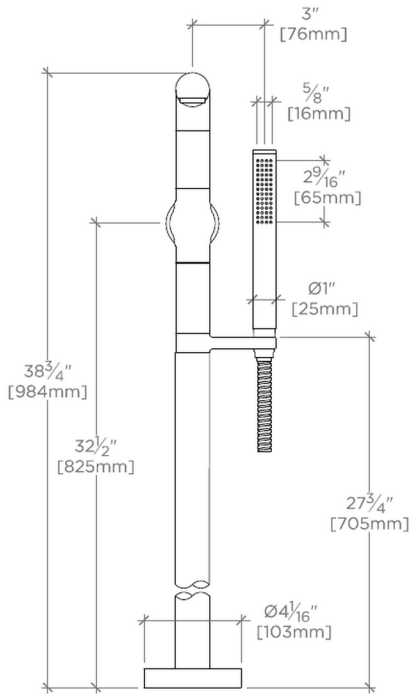


TOP VIEW

SCALE: 1/2"=1'-0"

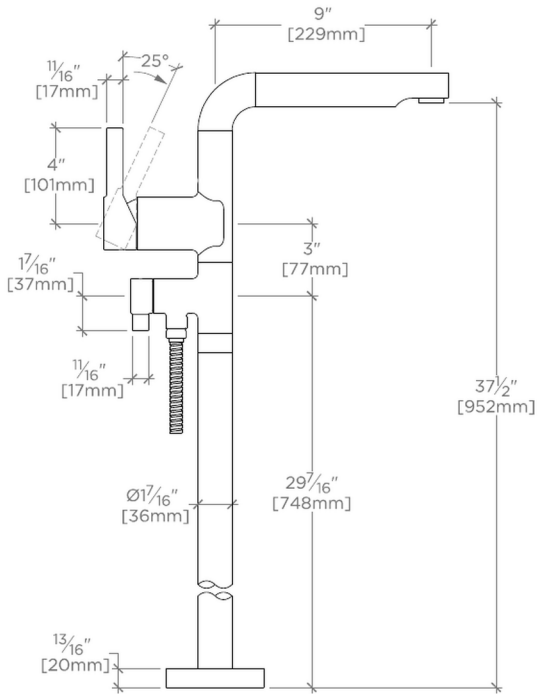


HANDLE OPERATION



FRONT VIEW

SCALE: 1/2"=1'-0"



SIDE VIEW

SCALE: 1/2"=1'-0"