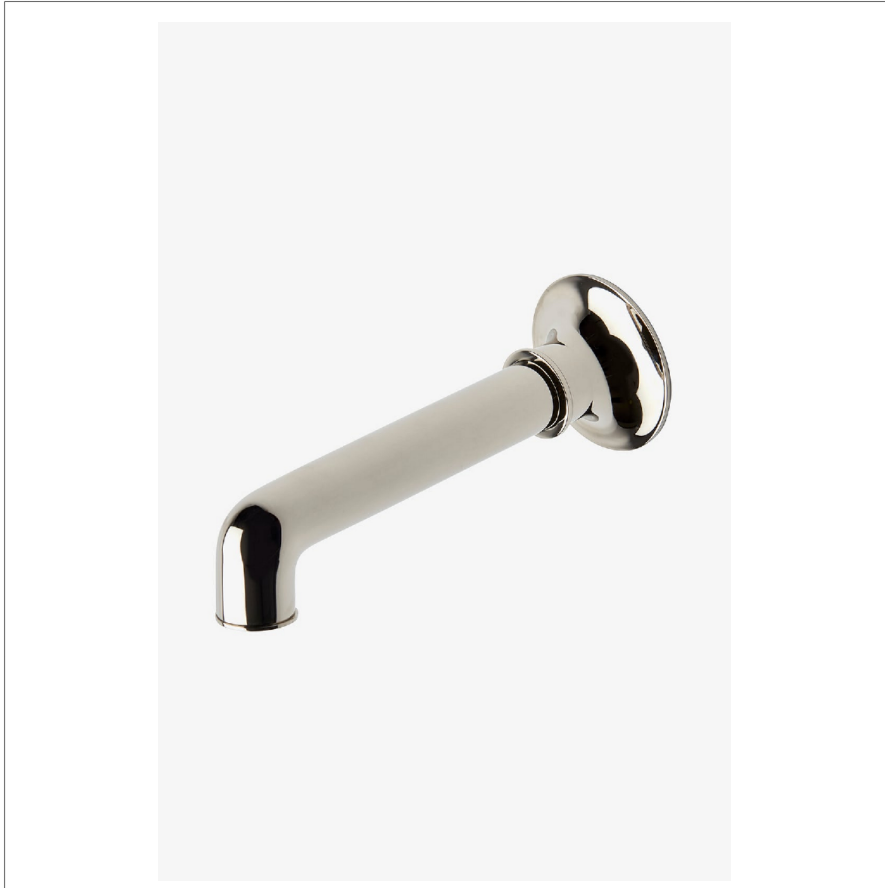


DASH

DSTS80

Wall Mounted Tub Spout



SHOWN IN WALL MOUNTED TUB SPOUT | DSTS80

TECHNICAL DETAILS

Depth/Width: 7"
Escutcheon Primary Material: Brass
Fittings Hole Diameter: 1 1/4"
Inlet Connection Size: 1/2"
Inlet Connection Type: Male NPT

INSPIRATION

An imaginative blend of art and function, Dash pays homage to design elements of the 1930s with pared-down shapes, softened curves and minimal details.

CODES & STANDARDS

CEC, State of MA

PRODUCT FEATURES

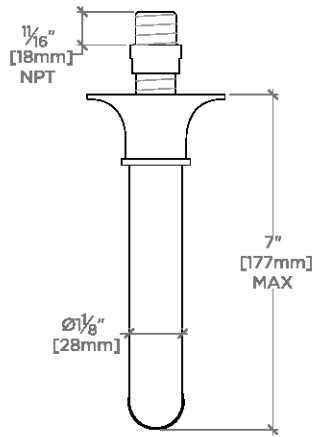
Unrestricted flow for quick filling of a bathtub

Stocked in Nickel, Chrome, Unlacquered Brass, and Matte Nickel finishes

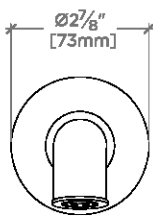
CERTIFICATIONS

PRODUCT (NOTES)

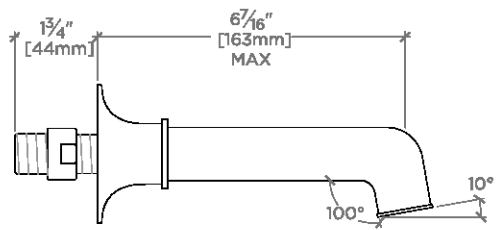
Wall Mounted Tub Spout



TOP VIEW SCALE: 3"=1'-0"



FRONT VIEW SCALE: 3"=1'-0"



SIDE VIEW SCALE: 3"=1'-0"