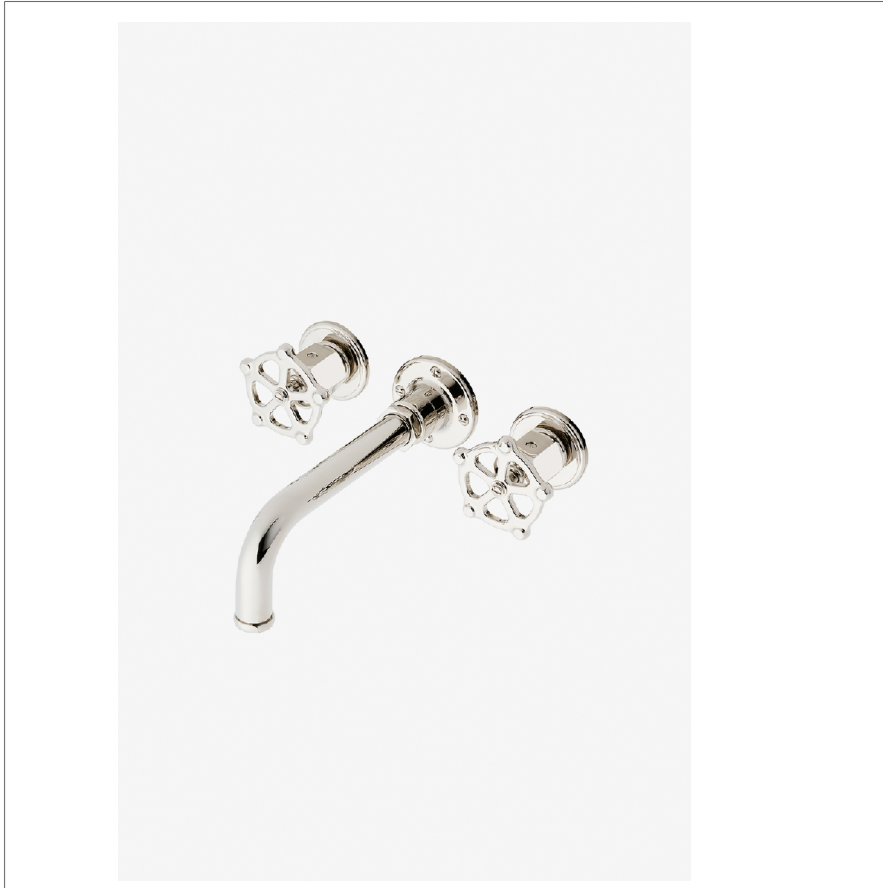


Regulator

RGLS63

Regulator Wall Mounted Lavatory Faucet with Wheel Handles



SHOWN IN REGULATOR WALL MOUNTED LAVATORY FAUCET WITH WHEEL HANDLES | RGLS63

TECHNICAL DETAILS

ADA Compliance: No
Restricted Maximum Flow Rate: 4.5 liters/min

INSPIRATION

A play on industrial controls from the early 1900s, when pride was lavished on parts. Translated to handcrafted, fittings project rugged beauty through powerful, detailed shapes.

CODES & STANDARDS

RGLS63-F.RX, NSF/ANSI/CAN 61:Q < 1, NSF/ANSI/CAN 372, ASME A112.18.1/CSA B125.1, WaterSense(1.0GPM and 1.2GPM Only), CEC, DOE, State of MA

PRODUCT FEATURES

Wheel Handles

Includes Universal Push-Touch Drain (UNLD23) which fits 1-1/2" through 1-3/4" drain hole openings

Stocked in Nickel and Brass

Available in 1.2gpm (4.5L/min) flow rate

CERTIFICATIONS

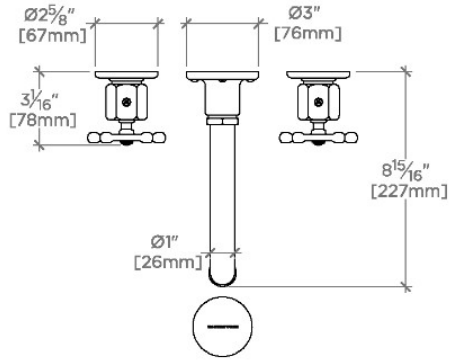


PRODUCT (NOTES)

Regulator

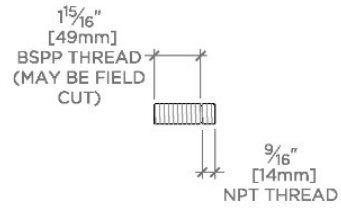
RGLS63

Regulator Wall Mounted Lavatory Faucet with Wheel Handles

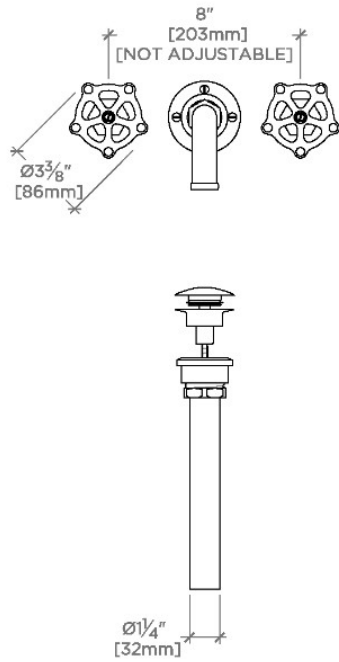


TOP VIEW

SCALE: 1/2"=1'-0"

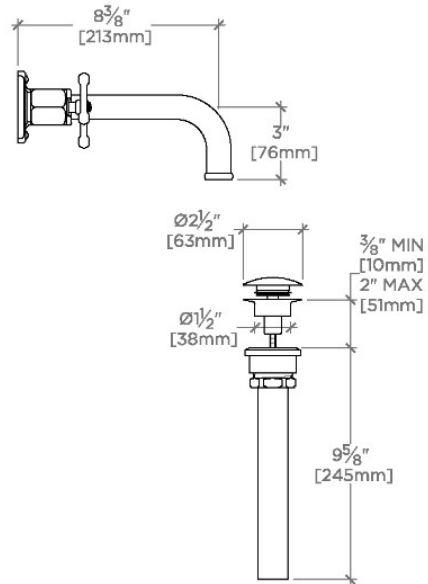


ADAPTER INCLUDED-INTERNATIONAL USE ONLY



FRONT VIEW

SCALE: 1/2"=1'-0"



SIDE VIEW

SCALE: 1/2"=1'-0"