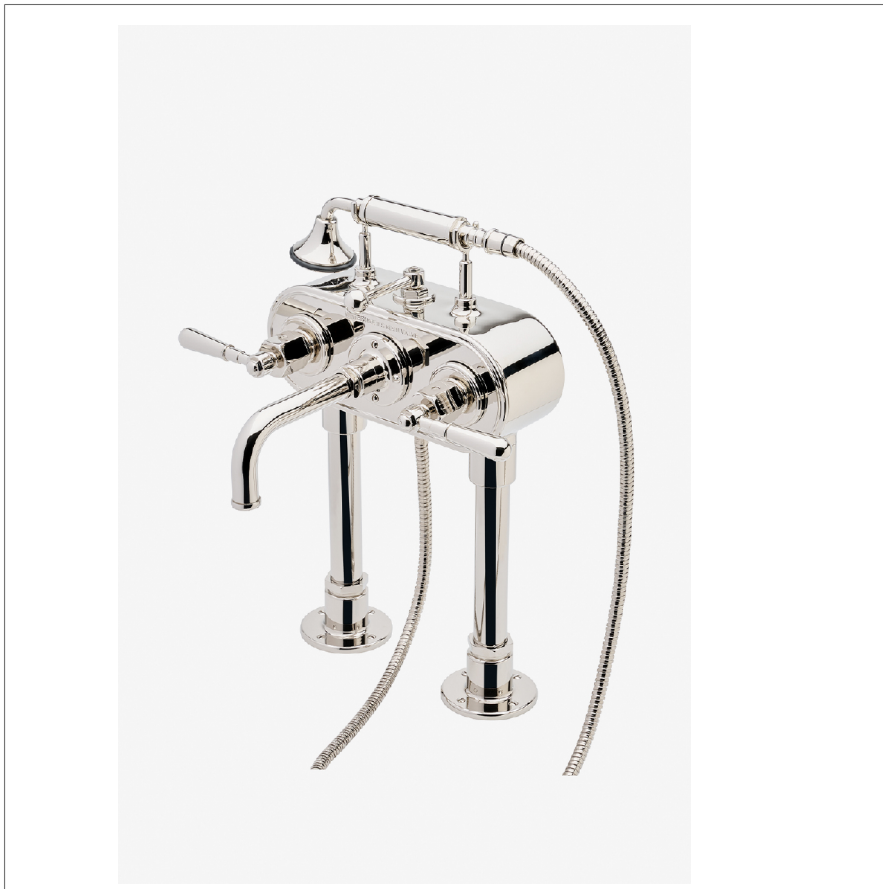


## Regulator

RGXT51

Regulator Exposed Deck Mounted Tub Filler with Handshower and Lever Handles (Less Unions)



SHOWN IN REGULATOR EXPOSED DECK MOUNTED TUB FILLER WITH HANDSHOWER AND LEVER HANDLES (LESS UNIONS) | RGXT51

### TECHNICAL DETAILS

ADA Compliance: Yes  
 Adjustable Versus Fixed Spray: Fixed  
 Deck Thickness Maximum: 64 mm  
 Deck Thickness Minimum: 6 mm  
 Depth/Width: 300 mm  
 Fittings Hole Diameter: 35 mm  
 Flow Restriction Options: 2.5, 2.0, 1.75, 1.5, 0.92  
 Handle Turn Angle: Quarter Turn  
 Handshower Spray Hose Length: 1.5 m  
 Height: 505 mm  
 Inlet Connection Size: 3/4"  
 Inlet Connection Type: Male BSPP  
 Inlet Supply Spread Maximum: 203 mm  
 Inlet Supply Spread Minimum: 203 mm  
 Integrated Diverter: Y  
 Integrated Spray: Y  
 Length: 437 mm  
 Primary Material: Brass  
 Restricted Maximum Flow Rate: 6.6 liters/min  
 Suggested Application: Bath  
 Water Pressure Maximum: 6.0 bar  
 Water Pressure Minimum: 1.5 bar  
 Water Pressure Recommended: 3.0 bar

### INSPIRATION

A play on industrial controls from the early 1900s, when pride was lavished on parts. Translated to handcrafted, fittings project rugged beauty through powerful, detailed shapes.

### CODES & STANDARDS

RGXT51-F.RX, ASME A112.18.1/CSA B125.1, Waterworks Handshowers use check valves compliant to ASME A112.18.3 for backflow protection. CEC, State of MA

### PRODUCT FEATURES

- Lever Handles
- Requires Unions Sold Separately
- Handshower Offers a Fixed Spray Pattern
- Stocked in Nickel and Brass
- Unrestricted Flow for Tub Spout. Handshower Available in 1.75gpm (4.5L/min) Flow Rate

### CERTIFICATIONS



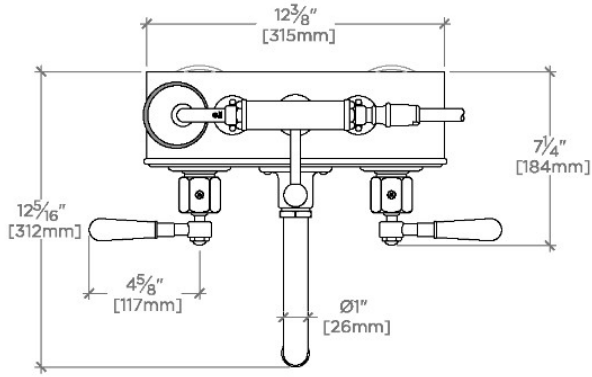
### PRODUCT (NOTES)

## Regulator

RGXT51

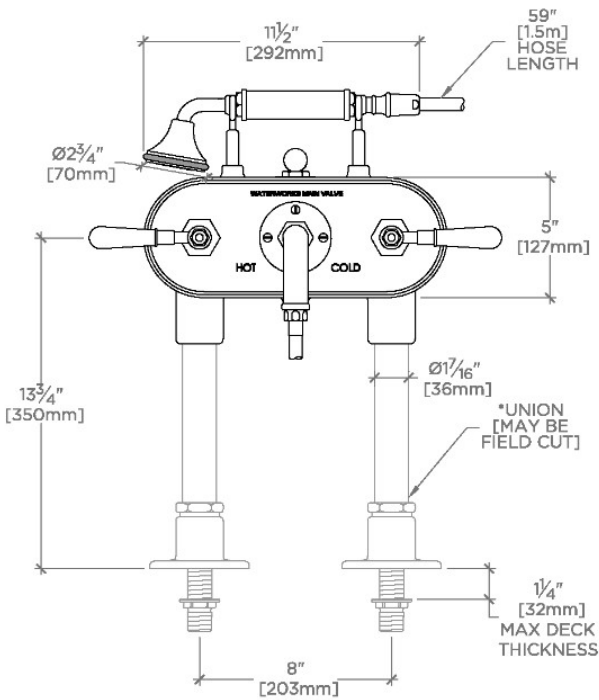
Regulator Exposed Deck Mounted Tub Filler with Handshower and Lever Handles (Less Unions)

\*NOTE: REQUIRED DECK UNIONS ARE SOLD SEPARATELY



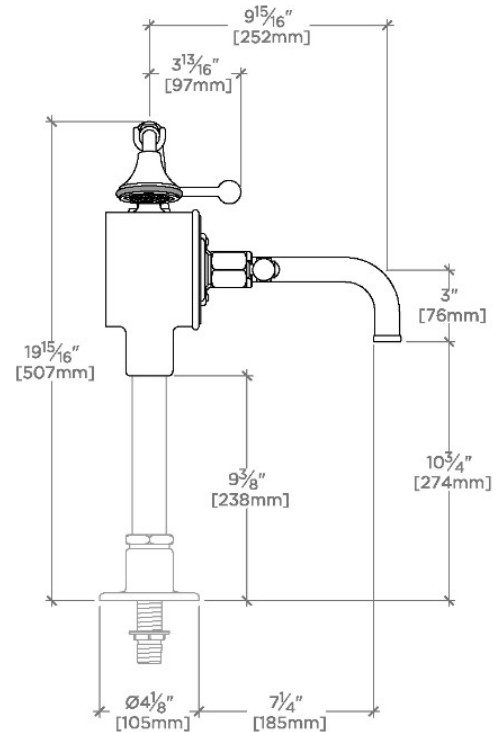
TOP VIEW

SCALE: 1/2"=1'-0"



FRONT VIEW

SCALE: 1/2"=1'-0"



SIDE VIEW

SCALE: 1/2"=1'-0"