

DASH

Dash Handshower on Bar with Metal Handle

DS10HS



SHOWN IN DASH HANDSHOWER ON BAR | DSHS10

TECHNICAL DETAILS

Adjustable versus Fixed Spray: Fixed Spray
Diameter of Head: 60 mm
Escutcheon Primary Material: Brass
Fittings Hole Diameter: 35 mm
Flow Restriction Options: 2.2, 2.0, 1.75, 1.5, 1.2, 0.92
Handshower / Spray Hose Length: 1.5 m
Depth / Width: 105 mm
Height: 668 mm
Inlet Connection Size: 1/2"
Inlet Connection Type: Female NPT
Installation Type: Wall Mounted
Integrated Diverter: N
Integrated Spray: N
Pivot: Y
Primary Material: Brass
Restricted Maximum Flow Rate: 9.5 liters/min
Spray Included in Unit: Y
Suggested Application: Bath
Water Pressure Maximum: 6.0 bar
Water Pressure Minimum: 1.5 bar
Water Pressure Recommended: 3.0 bar

INSPIRATION

A blend of art and function, Dash pays homage to design elements of the 1930s with pared-down shapes, softened curves and minimal details.

PRODUCT FEATURES

24" Bar

Features adjustable slider to position and pivot the handshower

Stocked in Nickel, Chrome, Unlacquered Brass, and Matte Nickel finishes

Standard flow rate is 2.5gpm (9.5 L/min). Also available in high efficient flow options. Contact your sales associate or call 1 (800) 899-6757 for details.

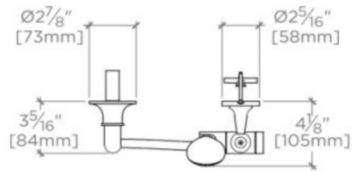
WATERWORKS

DASH

DS10HS

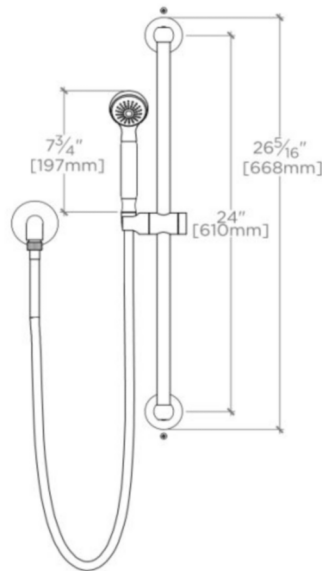
Dash Handshower on Bar with Metal Handle

| ADAPTER(S) PACKAGED SEPARATELY | | |
|--------------------------------|--|-----|
| ADAPTER | DESCRIPTION | QTY |
| UNUK04 | ½" NPT Male x ½" Male Nipple 50mm Long BSP | 1 |



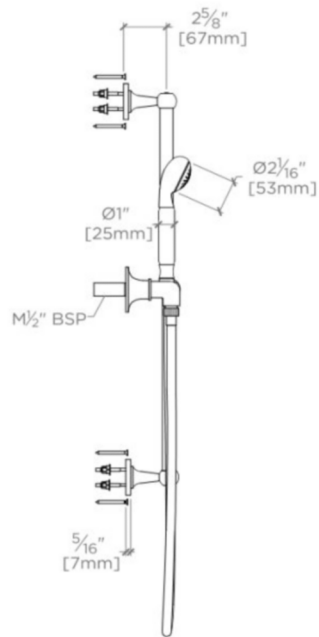
TOP VIEW

SCALE: 1"=1'-0"



FRONT VIEW

SCALE: 1"=1'-0"



SIDE VIEW

SCALE: 1"=1'-0"