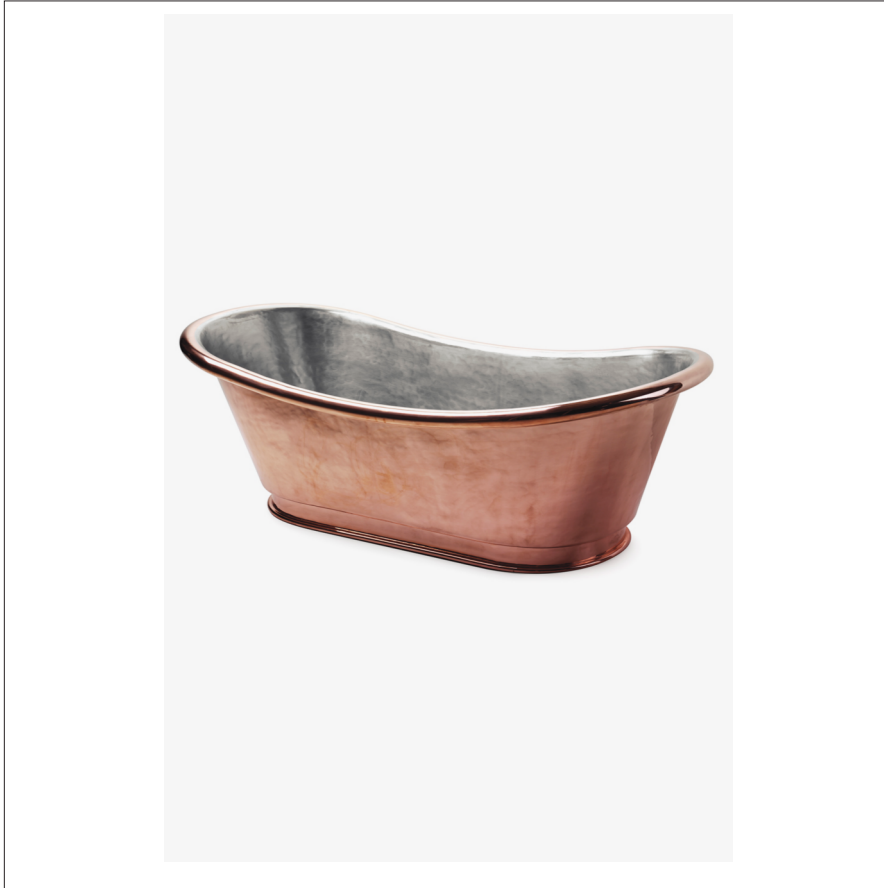


CLOTHILDE

COBT01

Clothilde 70" x 33" x 29" Freestanding Oval Copper Bathtub



SHOWN IN CLOTHILDE 70" X 33" X 29" FREESTANDING OVAL COPPER BATHTUB| COBT01

TECHNICAL DETAILS

ADA Compliance: No
Adjustable Levelers / Feet: N
Assembly / Configuration: One Piece
Bathing Type: Bathing and Soaking
Bottom Angle / Pitch: 4.0 degree_angle
Depth to Overflow: 387 mm
Drain Hole Depth: 10 mm
Drain Hole Diameter: 57 mm
Drilling Option: None
Depth / Width: 838 mm
Height: 737 mm
Installation Type: Freestanding
Item Weight (Filled): 319.78236 kg
Length: 1778 mm
Material / Wall Thickness: 51 mm
Number of Holes: One Hole
Overflow Opening: No
Primary Material: Copper
Single or Double Ended: Double Ended
Suggested Application: Bath

INSPIRATION

Clothilde pedigree is rooted in the high sloping French copper tubs of the 19th century, but the grand scale speaks to a new era of luxuriousness in the bath.

CODES & STANDARDS

Code # COBT01: Complies with IAPMO IGC-217

PRODUCT FEATURES

Our tub is completely handmade using the artisan methods and tools as the original 19th century designs.

The Clothilde is lined with tin to protect the purity of the water.

No visible seams or soldering joints.

Double ended bathing vessel

PRODUCT (NOTES)

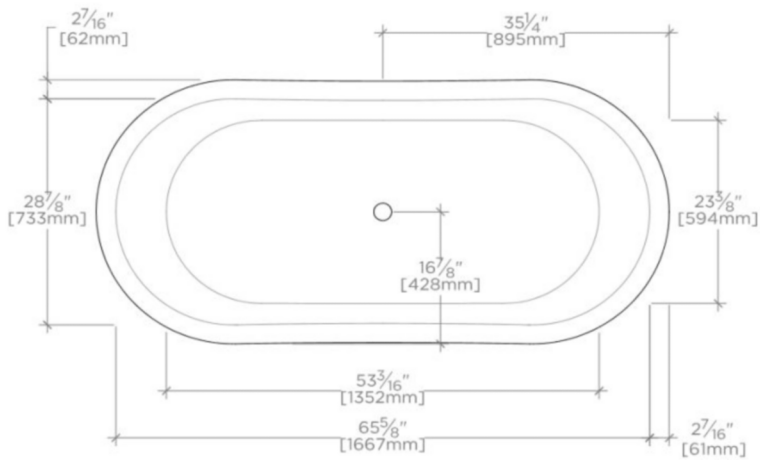
Dimensions of fixtures are nominal. Measure your actual product for rough-in details.

WATERWORKS

CLOTHILDE

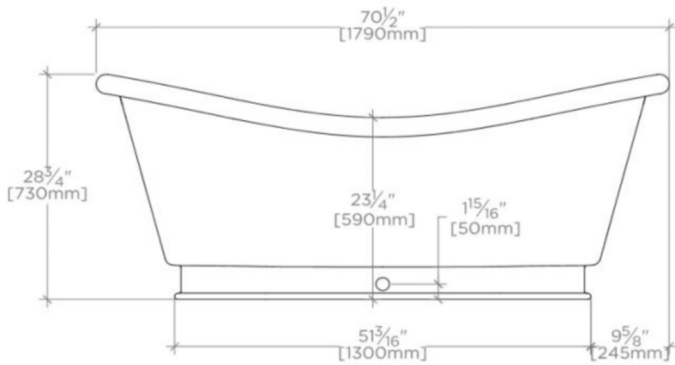
COBT01

Clothilde 70" x 33" x 29" Freestanding Oval Copper Bathtub



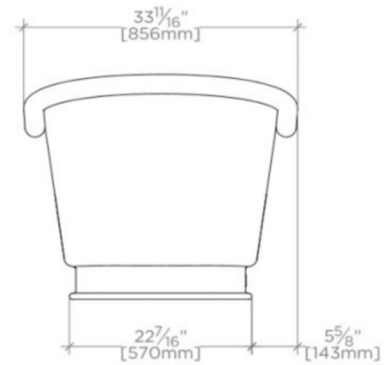
TOP VIEW

SCALE: 1/2"=1'-0"



SIDE VIEW

SCALE: 1/2"=1'-0"



END VIEW

SCALE: 1/2"=1'-0"