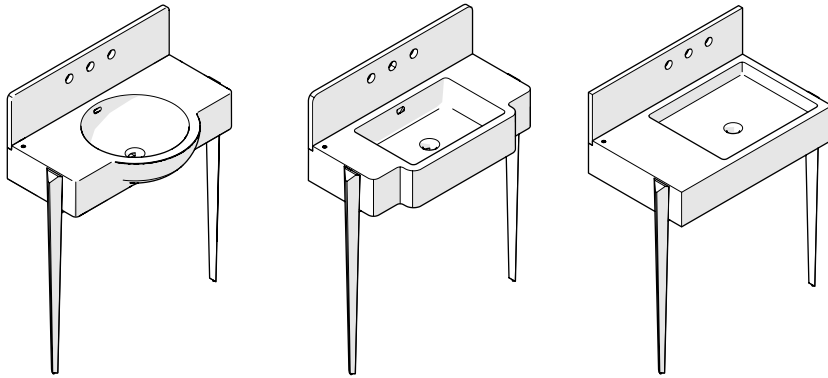


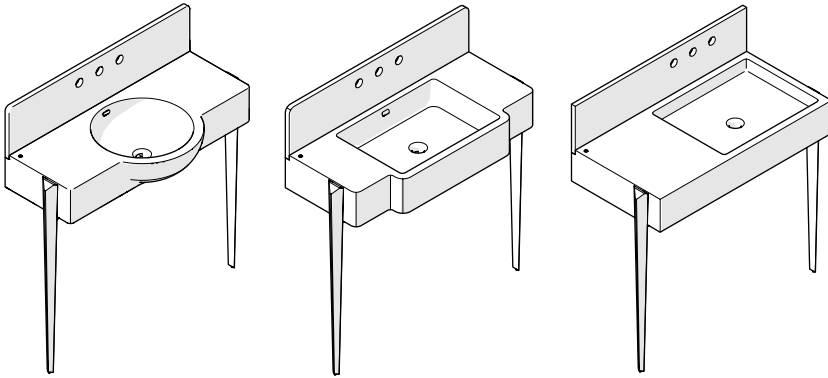
INSTALLATION GUIDELINES

WASHSTAND

GIO TRIANGLE TWO LEGS IN BRONZE WITH WALL MOUNTED LAVATORY SINK WITH BACKSPLASH



STYLES		
GIWS02	GIWS06	GIWS10



STYLES		
GIWS04	GIWS08	GIWS12

WARNING:

- This product is extremely heavy. It is **STRONGLY** recommended that 2 or more persons install this product.
- If no blocking has been installed **STOP** this installation until structural blocking is available.
- This installation and hardware is for wood stud installation **ONLY**.
- Ensure the blocking is able to hold up to 300 lbs.
- For metal studs, additional wood blocking must be installed.

IMPORTANT:

- To ensure this product is installed properly, you must read and follow these guidelines.
- The owner/user of this product must keep this information for future reference.
- This product must be installed by a professional licensed contractor.
- Be sure your installation conforms to federal, state, and local codes. In the State of Massachusetts, all installations must comply with the rules and regulations set forth within 248 CMR.
- Inspect this product to ensure you have all the parts required for proper installation.
- Product is **sold partially** assembled but shown fully disassembled for illustrative and service purposes only.
- **CAUTION:** Use only a strap wrench or protected/smooth-jaw wrench on ANY finished surface.
- The use of certain plumber putty and silicone may stain stone or tile surfaces.
- **CAUTION:** Take caution when applying the silicone and only use the necessary amount to ensure it won't cause staining.
- Use painter's tape to ensure a clean application.
- If further assistance is required, please contact Product Support at 1-800-927-2120 Monday through Friday, 8am - 6pm EST.

SUGGESTED HARDWARE:

STYLE	SIZE	DESCRIPTION
106801	17" [432mm] [GIWS10, GIWS12]	Universal Pair (L/R) Stainless Steel ADJUSTABLE Concealed Support Brackets, Wall Support Brackets and Hardware for Wall Mounted Stone Sink.
106802	14" [356mm] [GIWS02, GIWS04, GIWS06, GIWS08]	

TECHNICAL DETAILS:

DETAIL	SPECIFICATION		
DRAIN HOLE DEPTH	1-7/16" [49mm]		
DRAIN HOLE DIAMETER	Ø1-3/4" [44mm]		
FITTING HOLE DIAMETER	Ø1-3/8" [35mm]		
OVERFLOW OPENING	YES		
ROUGH-IN WASTE HEIGHT	18" [457mm] RECOMMENDED		
WEIGHT	GIWS02 157lbs [71kg]	GIWS06 160lbs [72kg]	GIWS10 191lbs [87kg]
	GIWS04 179lbs [81kg]	GIWS08 201lbs [91kg]	GIWS12 218lbs [99kg]

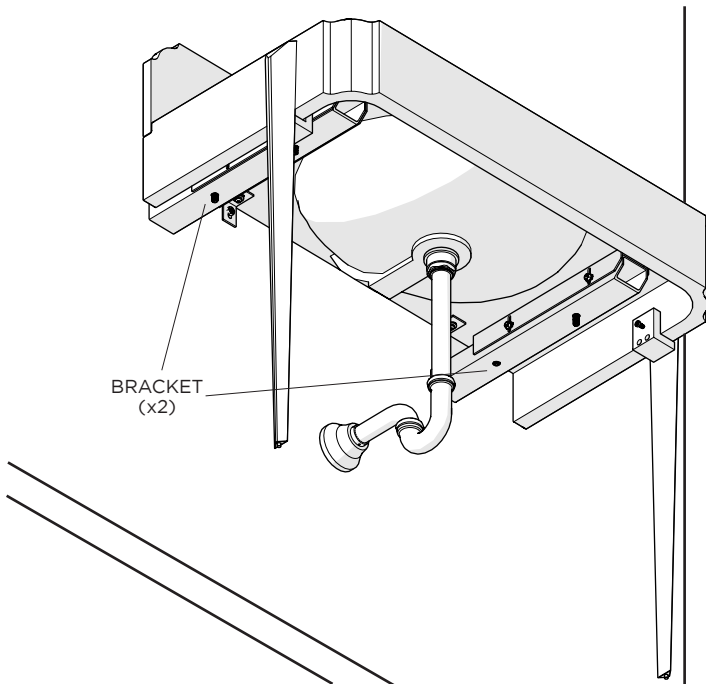
INSTALLATION GUIDELINES

WASHSTAND

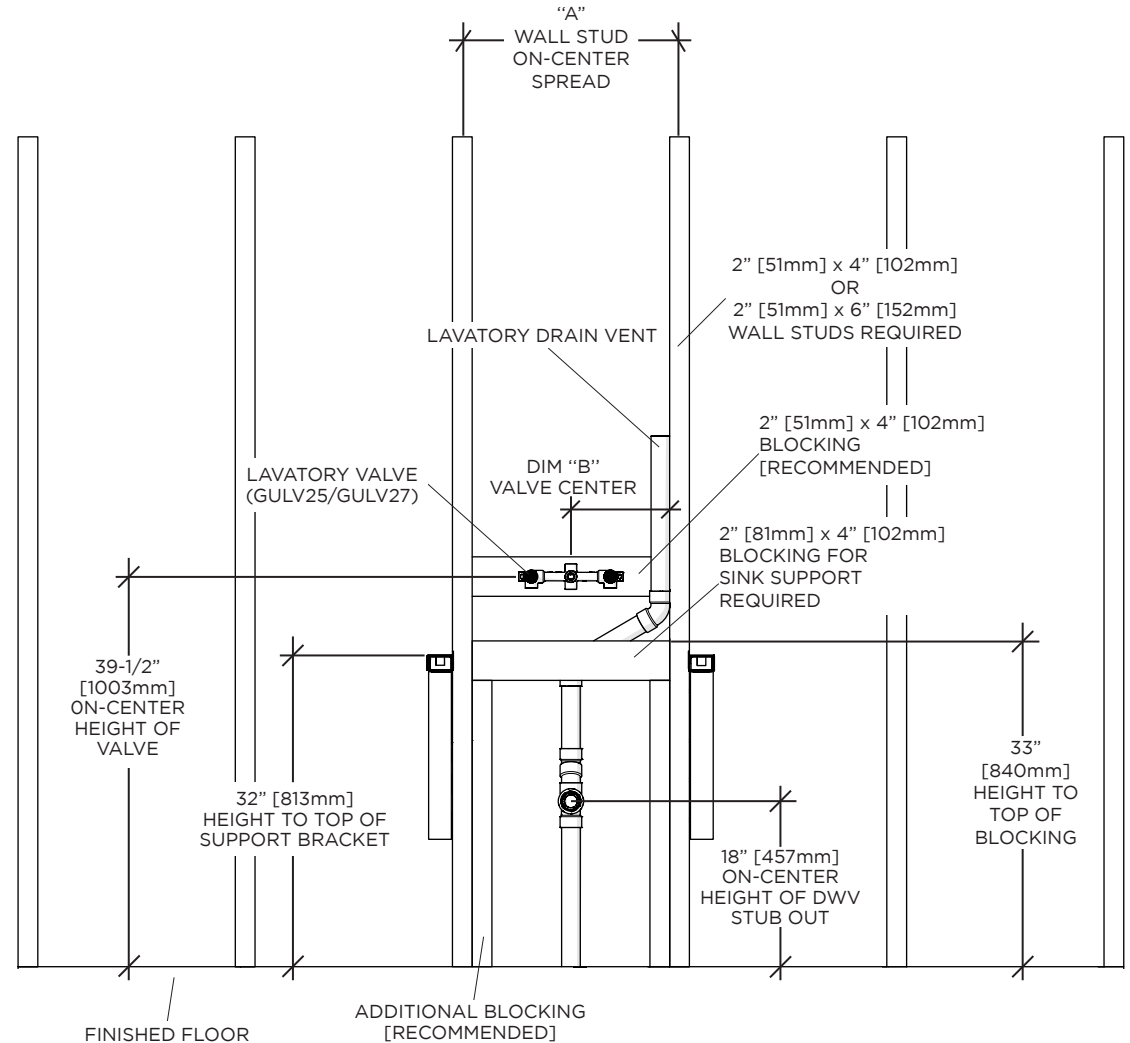
ROUGH IN:

- 2" [50mm] x 4" [107mm] blocking to secure the SINK to the wall is required.
- Jack or Trimmer Studs are required to properly install the SUPPORT and ANGLE BRACKETS and to secure the SINK to the wall.
- Ensure that the lavatory drain vent piping is properly installed according to applicable building codes and does not interfere with the stud or blocking materials.
- SUPPORT BRACKETS must be installed directly onto wall studs and prior to the installation of the finished wall.
- The dimensions shown detail a 33" [840mm] SINK height installation.
- LAVATORY VALVE and associated TRIM **sold separately**.

BRACKET LOCATION:



NOTE: The SINK will be supported by the brackets and **not** the LEGS. Ensure the SINK is not resting on the LEGS to avoid damage.



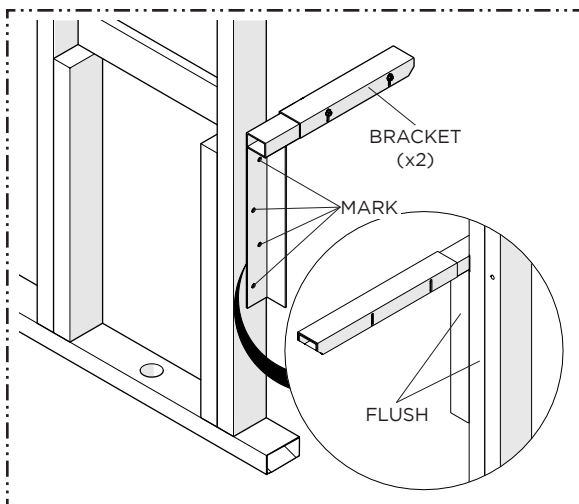
NOTE: This blocking scheme installs the sink top 33" [840mm] from the floor.

STYLE	DIM "A"	DIM "B"
GIWS04, GIWS08	24" [610mm]	11" [279mm]
GIWS02, GIWS06	20" [508mm]	9" [229mm]
GIWS10	27" [686mm]	12" [305mm]
GIWS12	33" [838mm]	15-1/2" [394mm]

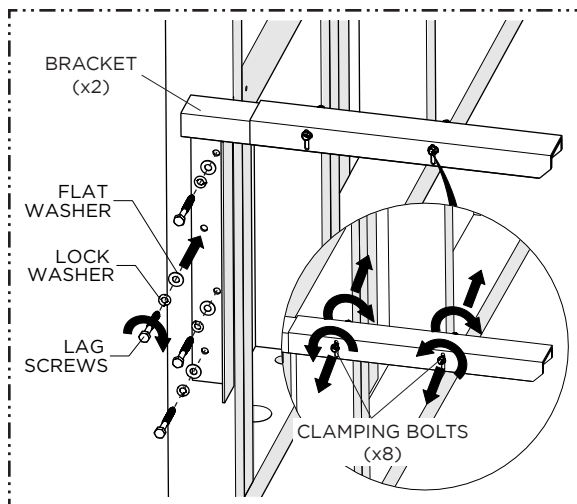
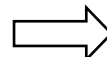
INSTALLATION GUIDELINES

WASHSTAND

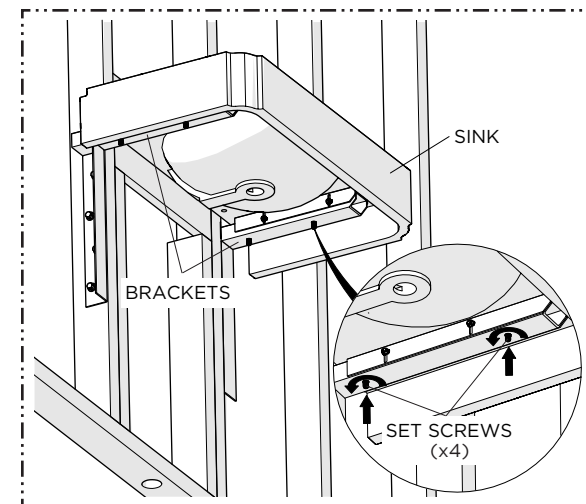
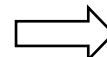
WATERWORKS



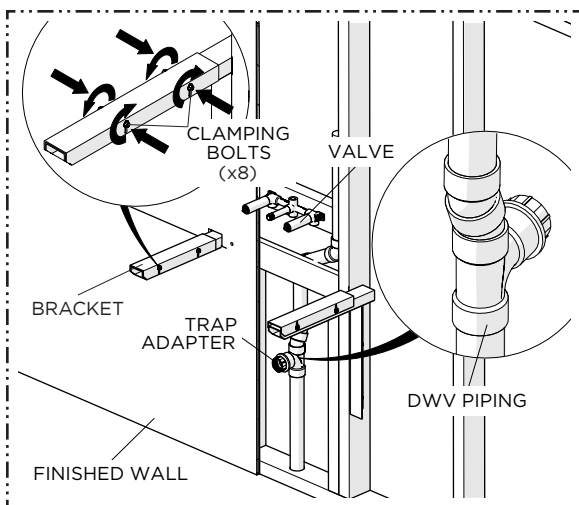
1. Dry fit the BRACKETS to the WALL STUD and mark the location of the mounting holes. Make sure to hold the BRACKETS level and flush with the front face of the STUD. Drill pilot holes for the 3/8" [10mm] LAG SCREWS provided.



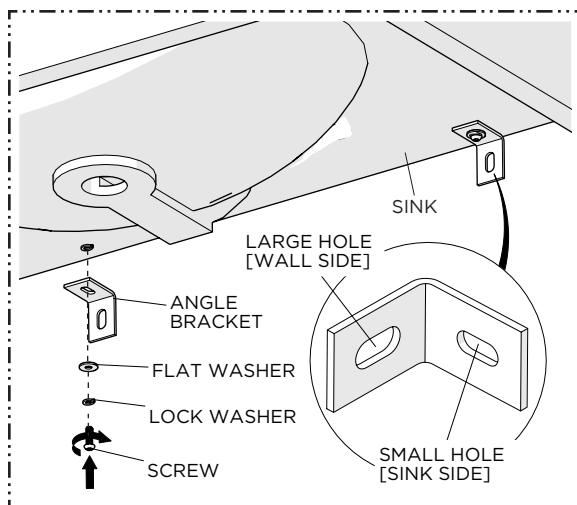
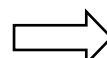
2. Install both BRACKETS with the provided LAG SCREWS and WASHERS, ensuring they are securely attached. Once installed, loosen the CLAMPING BOLTS on each bracket, but do **not** remove them.



3. Dry-fit the SINK onto the BRACKETS and level it by adjusting the SET SCREWS at the bottom of each BRACKETS. Ensure the SINK'S weight is properly supported on the BRACKETS. Once aligned, remove the SINK and store it safely until the final installation.

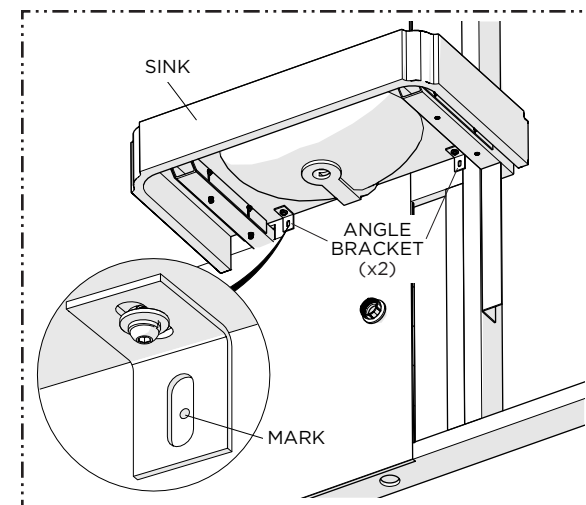
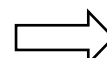


4. Once the level is set, tighten the CLAMPING BOLTS on both BRACKETS to secure the level. Ensure the PLUMBING SUPPLY and TRAP ADAPTER are properly installed before completing the FINISHED WALL installation.



5. Install the ANGLE BRACKET to the underside of the SINK using the SCREWS and WASHERS PROVIDED. Do **NOT** tighten the SCREWS.

NOTE: Make sure to use the sink side of the BRACKET.



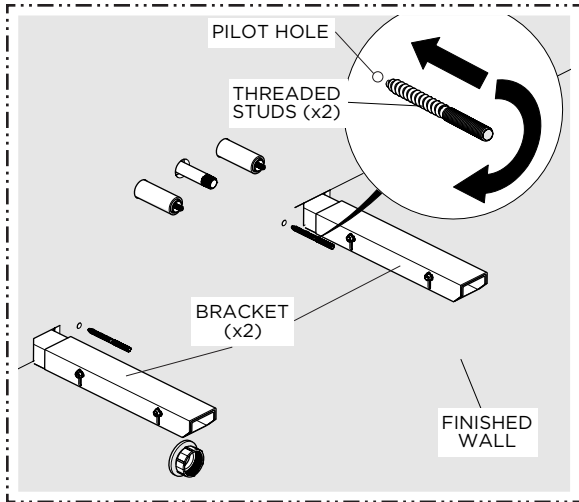
6. Dry fit the SINK with SUPPORT BRACKETS ensuring it is level. Mark the hole locations for the ANGLE BRACKETS then remove the SINK and drill pilot holes for M8 THREADED STUDS.

NOTE: The thickness of the FINISHED WALL should not exceed 1" [25mm].

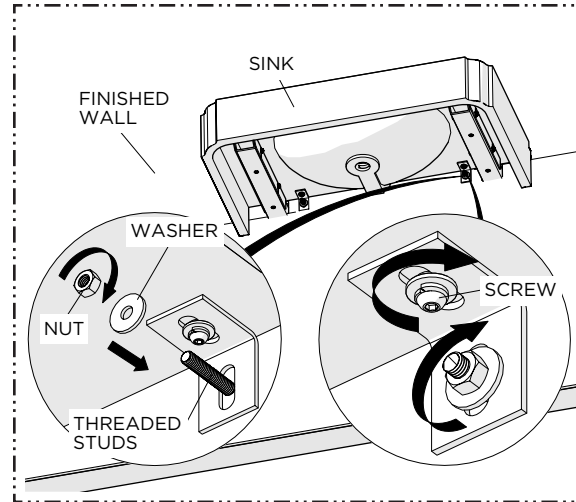
INSTALLATION GUIDELINES

WASHSTAND

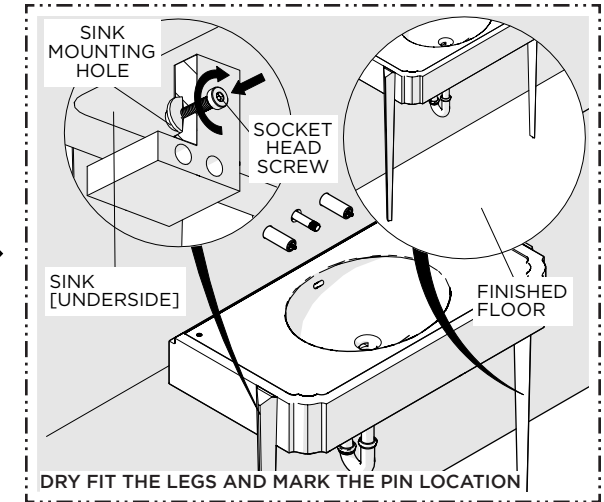
WATERWORKS



7. Install the M8 THREADED STUDS making sure the wood end is fully inserted into the FINISHED WALL, then apply adhesive silicone to the top surfaces of the SUPPORT BRACKETS.

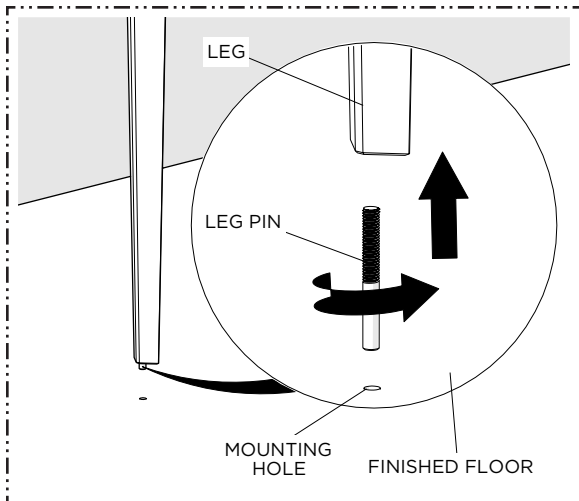


8. Place the SINK on BRACKETS against the FINISHED WALL. Install WASHERS and NUTS on THREADED STUDS and hand-tighten. Cut excess from STUDS, then securely tighten NUTS and SCREWS on ANGLE BRACKETS.



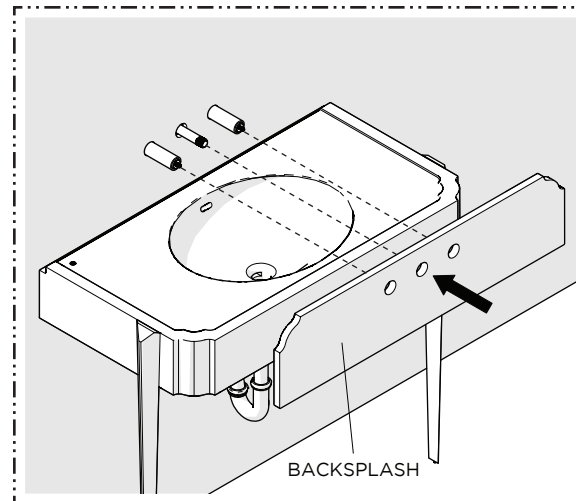
9. By aligning the LEG SCREW on the LEG with the MOUNTING HOLE of the SINK, and then, using an Allen key, dry fit the LEG into the SINK by engaging the CLAMP into the MOUNTING HOLE.

NOTE: Repeat the same steps for the other LEG.

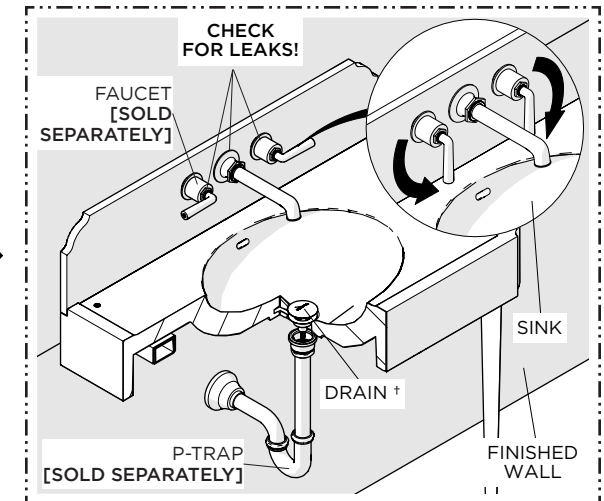


10. Thread the LEG PIN onto each LEG and place both LEGS into the MOUNTING HOLES.

NOTE: REPEAT STEP 9 TO REINSTALL BOTH LEGS FOR SECURE FIT.



11. Install the BACKSPLASH provided using an adhesive silicone.



12. Install FAUCET, DRAIN, and P-TRAP [sold separately]. Turn on water and operate the DRAIN and FAUCET to check for leaks. If desired, caulk or silicone where SINK meets FINISHED WALL.

NOTE: The use of certain plumber's putty may stain stone or tile surfaces.