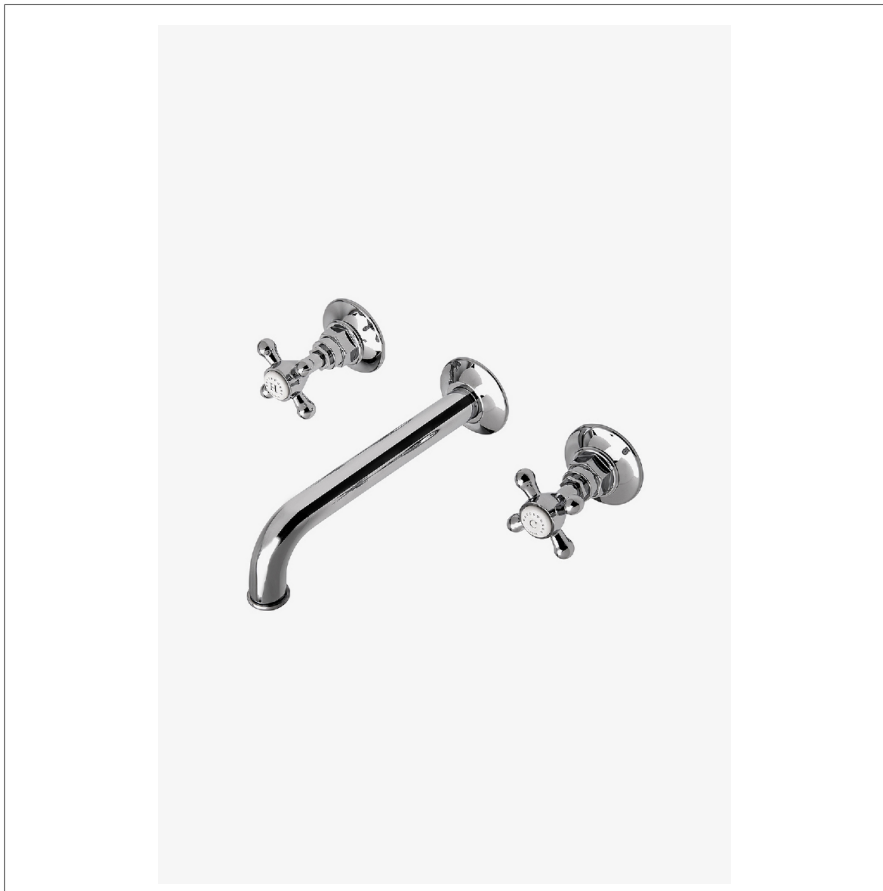


HIGHGATE

HGLS60

Highgate Wall Mounted Lavatory Faucet with Cross Handles



SHOWN IN HIGHGATE WALL MOUNTED LAVATORY FAUCET WITH CROSS HANDLES | HGLS60

TECHNICAL DETAILS

ADA Compliance: Yes
 Drain Assembly Materials: Brass
 Drain Depth Maximum: 2"
 Drain Depth Minimum: 1 1/2"
 Drain Style: USA Lift & Turn
 Escutcheon Primary Material: Brass
 Fittings Hole Diameter: 1 3/8"
 Flow Restriction Options: 1.0 , 1.2 , 1.5 , 1.75, 2.2
 Handle Spread Maximum: 8"
 Handle Spread Minimum: 8"
 Handle Turn Angle: Quarter Turn
 Height: 3"
 Inlet Connection Size: 1/2"
 Inlet Connection Type: Female NPT
 Inlet Supply Spread Maximum: 8"
 Inlet Supply Spread Minimum: 8"
 Length: 10 3/8"
 Number Of Holes: Three Hole
 Primary Material: Brass
 Restricted Maximum Flow Rate: 1.2 gpm
 Valve Material: Brass, Ceramic
 Water Pressure Maximum: 80.0 psi
 Water Pressure Minimum: 20.0 psi
 Water Pressure Recommended: 45.0 psi

INSPIRATION

Our take on old English style: simple, functional shapes, detailed with white porcelain indices and hexagonal accents for a timeless feel.

CODES & STANDARDS

NSF/ANSI/CAN 61:Q < 1, CEC

PRODUCT FEATURES

Cross Handles

Includes Universal Lift and Turn Drain (UNLD30) which fits 1-1/2" through 1-3/4" drain hole openings

Requires rough valve, sold separately: GULV27 (US), GU27LV (UK)

Stocked in Chrome, Nickel and Brass

Available in 1.2gpm (4.5L/min) flow rate

CERTIFICATIONS

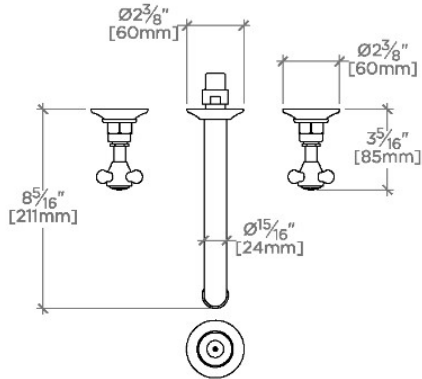


PRODUCT (NOTES)

HIGHGATE

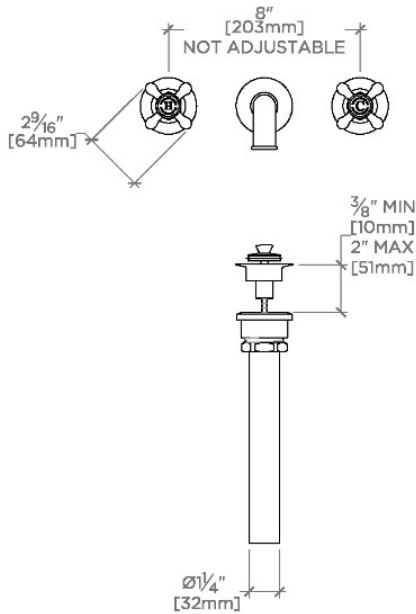
HGLS60

Highgate Wall Mounted Lavatory Faucet with Cross Handles



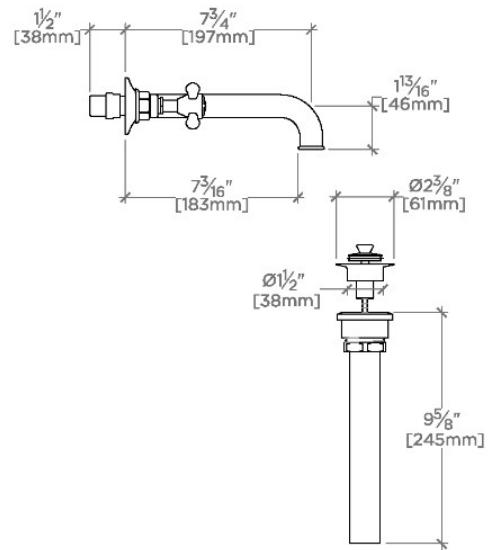
TOP VIEW

SCALE: $\frac{1}{2}$ "=1'-0"



FRONT VIEW

SCALE: $\frac{1}{2}$ "=1'-0"



SIDE VIEW

SCALE: $\frac{1}{2}$ "=1'-0"