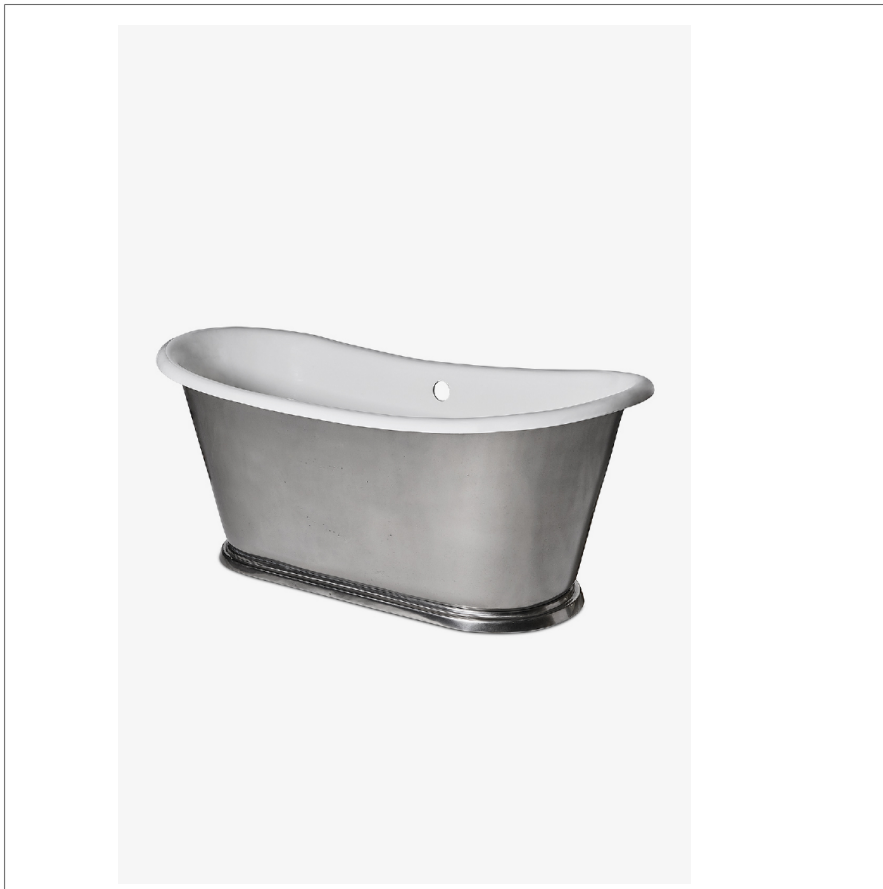


## Candide

CDBT19

Candide 66" x 27" x 27" Freestanding Oval Cast Iron Bathtub



SHOWN IN CANDIDE 66" X 27" X 27" FREESTANDING OVAL CAST IRON BATHTUB | CDBT19

### TECHNICAL DETAILS

ADA Compliance: When installed per ADA guidelines  
 Adjustable Levelers Feet: N  
 Bathing Type: Bathing and Soaking  
 Bathing Well Sitting Angle: 103 degree\_angle  
 Depth To Overflow: 491 mm  
 Depth/Width: 711 mm  
 Drain Hole Diameter: 51 mm  
 Drilling Option: None  
 Height: 711 mm  
 Installation Type: Freestanding  
 Item Weight Filled: 426.830072 kg  
 Length: 1651 mm  
 Outer Rim Shape: Oval  
 Overflow Hole Diameter: 51 mm  
 Overflow Opening: Yes  
 Primary Material: Cast Iron  
 Single Or Double Ended: Double Ended  
 Sound Proofing: N  
 Stain Resistance: N  
 Suggested Application: Bath  
 Waste And Overflow Outlet Spread: 343 mm

### INSPIRATION

The slender and streamlined curves of the Candide are accentuated as she stands on her molded base. Candide embodies the beauty of classic French boat tubs.

### CODES & STANDARDS

Code # CDBT19: Complies with ASME A112.19.1 and ADA. Certified with State of MA.

### PRODUCT FEATURES

- Constructed of the finest cast iron with pure white enamel interior.
- Double ended and wider for added comfort and easy installation.
- Available with optional slip resistant bottom, a built in safety feature.
- The exterior of primed bathtubs must be finished with a high quality paint before installation.
- Due to the manual finishing process, burnished bathtubs will show variation in the amount of exterior finish distress.

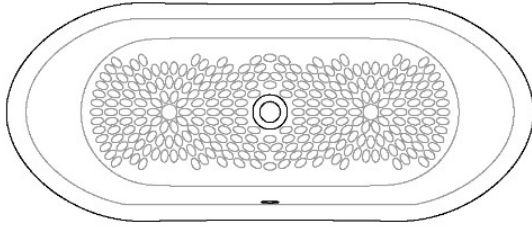
### CERTIFICATIONS

Dimensions of fixtures are nominal. Measure your actual  
**PRODUCT (NOTES)**  
 Installation of this product in a wet environment such as  
 outdoors, steam rooms, or within showering stalls voids  
 all Warranty.

## Candide

## CDBT19

Candide 66" x 27" x 27" Freestanding Oval Cast Iron Bathtub



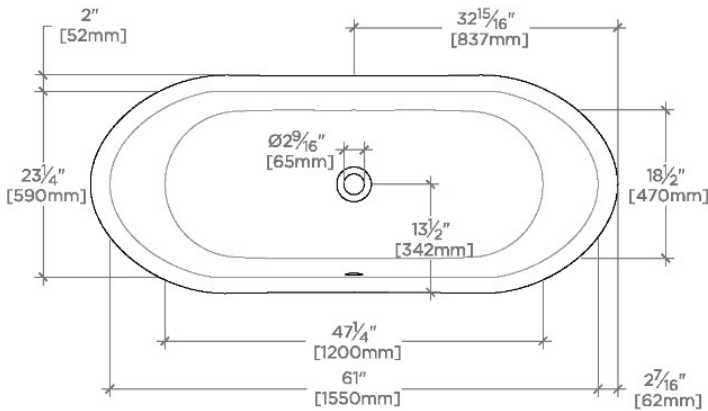
OPTIONAL SLIP RESISTANT

SCALE: 1/2"=1'-0"

**RECOMMENDED WASTE & OVERFLOW STYLE #:**

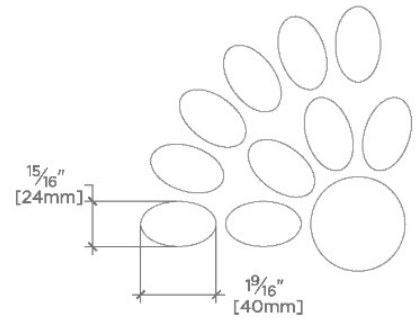
This Uses the UNWO10 Waste and Overflow

Dimensional Tolerance	
> 7/8" [200mm]	± 0.8%
< 7/8" [200mm]	± 1.8%



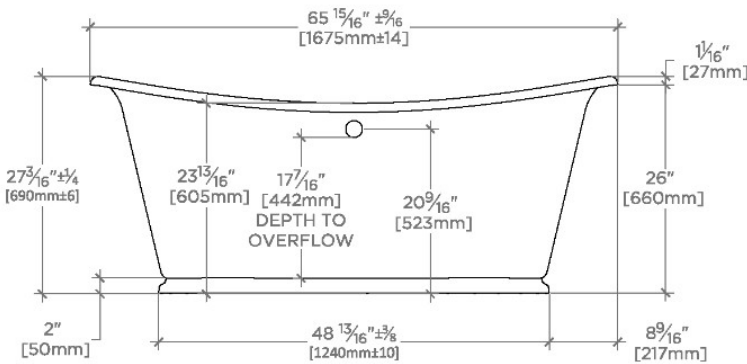
TOP VIEW

SCALE: 1/2"=1'-0"



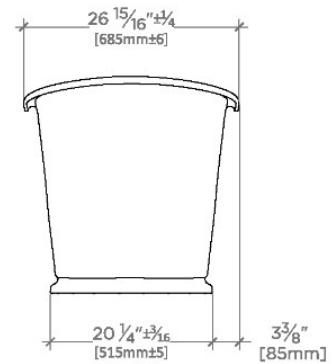
SLIP RESISTANCE PATTERN

SCALE: 1/2"=1'-0"



SIDE VIEW

SCALE: 1/2"=1'-0"



END VIEW

SCALE: 1/2"=1'-0"