

## .25

## PTLS06

.25 Low Profile Three Hole Wall Mounted Lavatory Faucet with Metal Lever Handles



SHOWN IN .25 LOW PROFILE THREE HOLE WALL MOUNTED LAVATORY FAUCET WITH METAL LEVER HANDLES | PTLS06

### TECHNICAL DETAILS

ADA Compliance: Yes  
 Adjustable Versus Fixed Spray: Fixed Spray  
 Depth/Width: 191 mm  
 Drain Assembly Materials: Brass  
 Drain Depth Maximum: 44 mm  
 Drain Depth Minimum: 32 mm  
 Drain Hole Diameter: 44 mm  
 Drain Style: Push Touch  
 Escutcheon Primary Material: Brass  
 Flow Restriction Options: 1.0 , 1.2 , 1.5 , 1.75, 2.2  
 Handle Spread Maximum: 203 mm  
 Handle Spread Minimum: 203 mm  
 Handle Turn Angle: Quarter Turn  
 Height: 64 mm  
 Inlet Connection Size: 1/2"  
 Inlet Connection Type: Copper Sweat  
 Inlet Supply Spread Maximum: 203 mm  
 Inlet Supply Spread Minimum: 203 mm  
 Installation Type: Wall Mounted  
 Length: 264 mm  
 Number Of Handles: Two  
 Number Of Holes: Three Hole  
 Primary Material: Brass  
 Spout Swivel: N  
 Suggested Application: Bath  
 Valve Material: Ceramic  
 Water Pressure Maximum: 6.0 bar  
 Water Pressure Minimum: 1.5 bar  
 Water Pressure Recommended: 3.0 bar

### INSPIRATION

.25 is the ultimate in utilitarian elegance: A simple and understated design that is equally functional and beautiful.

### CODES & STANDARDS

PTLS06X, NSF/ANSI/CAN 61:Q < 1, NSF/ANSI/CAN 372, ASME A112.18.1/CSA B125.1, CEC, State of MA

### PRODUCT FEATURES

Uses a simple pop-up drain that is closed and opened by pushing down on the stopper. Does not use a lift rod to operate the drain stopper.

Generous length of the lever handle completes itself with an eased, pillowed square form.

Standard flow rate is 2.2gpm (8.3 L/min) and State of California requires 1.2gpm(4.5 L/min). Also available in other flow options. Contact a sales associate for details.

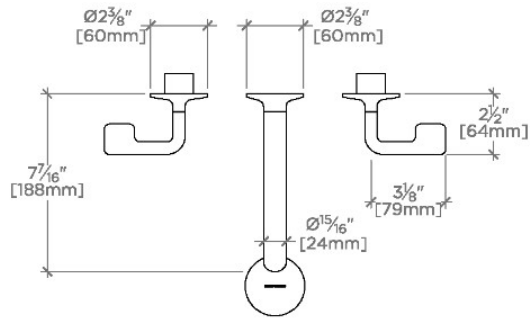
### CERTIFICATIONS



### PRODUCT (NOTES)

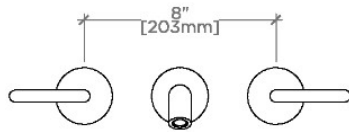
Sold with European style drain; USA style drain sold separately for use with non-Waterworks sinks.

.25 Low Profile Three Hole Wall Mounted Lavatory Faucet with Metal Lever Handles



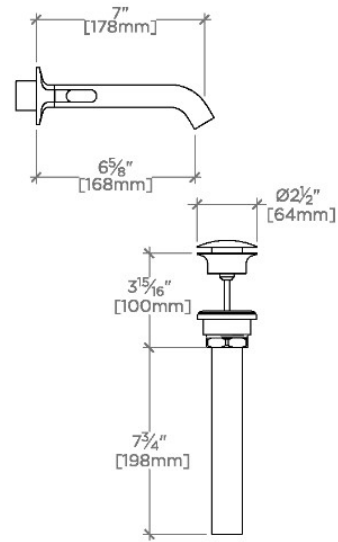
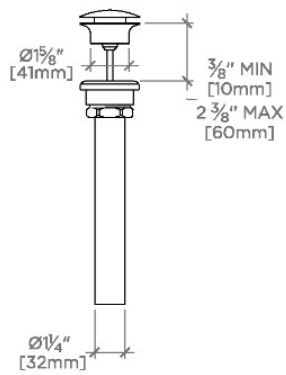
TOP VIEW

SCALE:  $1\frac{1}{2}"=1'-0"$



FRONT VIEW

SCALE:  $1\frac{1}{2}"=1'-0"$



SIDE VIEW

SCALE:  $1\frac{1}{2}"=1'-0"$