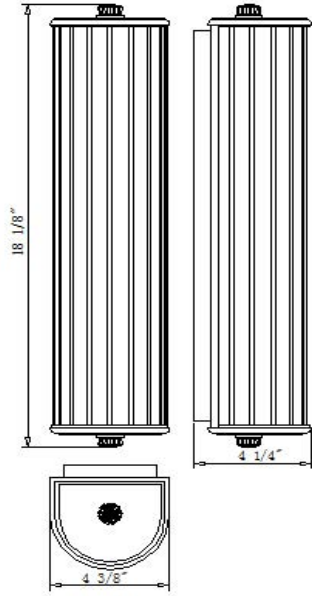
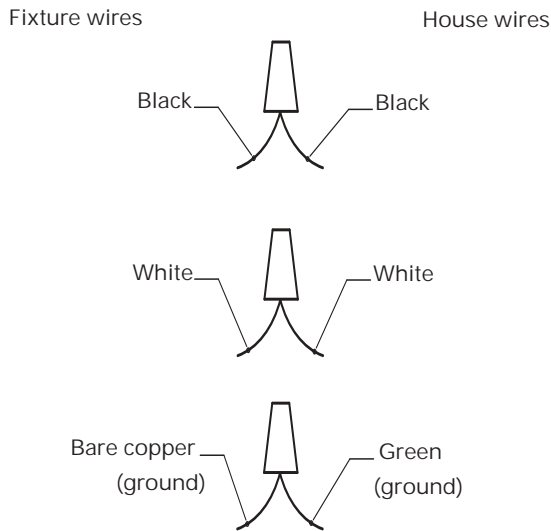


**FRLT03 (FR03LT)**



- Notes:
- Bulbs: A19, E26(E27)base , 60 watt max.
  - Sconce can be mounted vertically or horizontally.
  - Outlet box: 3<sup>3</sup>/<sub>5</sub>" x 3<sup>3</sup>/<sub>5</sub>" switch type.
  - All items in (BRACKETS) refer to CE styles.

**Figure 1**

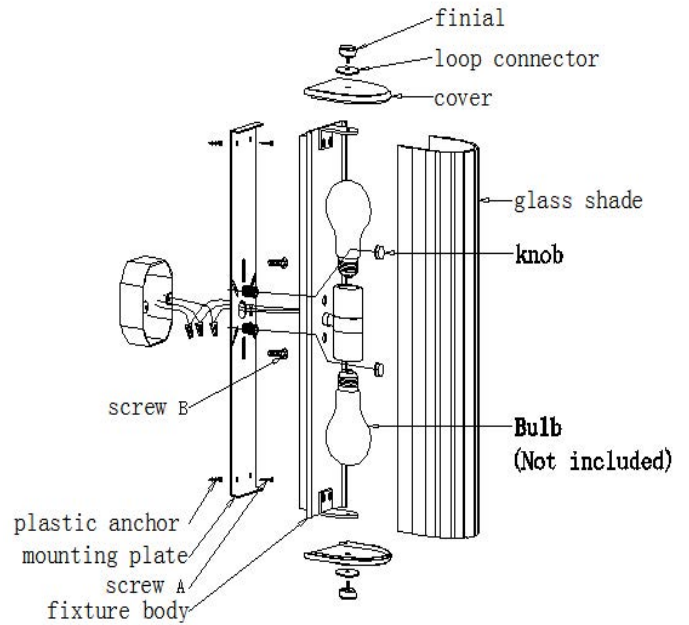


**INSTALLATION**

- **IMPORTANT:** Check to ensure the power supply has been turned off prior to start installation.
1. Install an outlet box (3<sup>3</sup>/<sub>5</sub>" x 3<sup>3</sup>/<sub>5</sub>" switch type ) vertically for vertical mounting making sure to use supply connection wire that meets local codes.
  2. Inspect this product to assure you have all parts required for proper installation.
  3. Refer to the four holes of mounting plate,make the four points on the wall,make sure they are vertical with each other.
  4. Drill holes at the four points, install plastic anchors into the holes of the wall.
  5. Mount the mounting plate to wall outlet box using screw B(supplied). Insert 4pcs screws A (supplied) into plastic anchors to fix the mounting plate tightly.
  6. Connect the wires from the fixture to the wires in the outlet-box as shown in Figure 1.
  7. Install the fixture body to the mounting plate using 2pcs knobs(supplied).
  8. Install the 60 watt max. A19 standard bulb(not included) into the fixture body.
  9. Slip the glass shade into the fixture body.
  10. Install the two covers and loop connectors,using the finials to fix tightly.
  11. Installation is completed,turn on prower.

**Figure 2**

Vertical Mounting,  
Vertical Mount shown



These guidelines have been prepared for the professional contractor to aid in the installation of:  
**Foro Double Sconce FRLT03 (FR03LT)**

All dimensions are based on original specifications and are subject to change and variation.  
Please consult your Design Associate for current specifications.