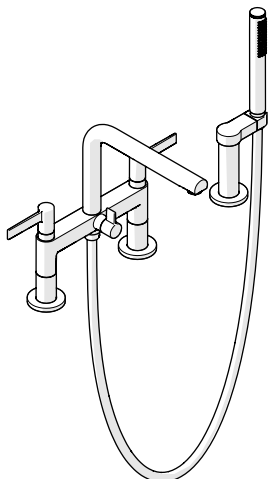


INSTALLATION GUIDELINES

DECK MOUNTED EXPOSED TUB FILLER

FINOT DECK MOUNTED EXPOSED TUB FILLER WITH HANDSHOWER AND LEVER HANDLES



STYLES	
NXT280 [SHOWN]	NXT290

IMPORTANT:

- To ensure this product is installed properly, you must read and follow these guidelines.
- The owner/user of this product must keep this information for future reference.
- This product must be installed by a professional licensed contractor and must be on-site prior to rough-in. This allows the installer to visualize the installation and verify the 8" [203mm] on-center inlet supply spread. The inlet supply spread on this product is **NOT** adjustable.
- Run 3/4" SUPPLY LINES for **MAXIMUM** flow and install ACCESSIBLE hot and cold service stop valves to facilitate servicing.
- Be sure your installation conforms to federal, state, and local codes.
 - Anti-scaled protection is the responsibility of the installer and according to applicable codes.
 - A water temperature limiting device is the responsibility of the installer and must be in accordance with ASSE 1070.
 - In the State of Massachusetts, all installations must comply with the rules and regulations set forth within 248 CMR.
- Check TUB measurements to ensure the SPOUT project far enough into the TUB.
- Inspect this product to ensure you have all the parts required for proper installation.

- Product is **sold partially** assembled but shown fully disassembled for illustrative and service purposes only.
- Use only a strap wrench or protected/smooth-jaw wrench on any finished surface.
- The use of certain plumber's putty may stain stone or tile surfaces.
- If further assistance is required, please contact Product Support at 1-800-927-2120 Monday through Friday, 8am - 6pm EST.

TECHNICAL DETAILS:

DETAIL	SPECIFICATION
DECK THICKNESS	2-11/16" [69mm] MAXIMUM
FITTINGS HOLE DIAMETER	Ø 1-1/4" [32mm]
HANDLE TURN ANGLE	QUARTER TURN
HOSE LENGTH	60" [1.5m]
INLET CONNECTION	3/4" MALE NPT †
INLET SUPPLY SPREAD	8" [203mm] [NOT ADJUSTABLE]
INTEGRATED DIVERTER	YES
SPOUT REACH	9" [229mm]
WATER PRESSURE	85psi [6.0 bar] MAXIMUM
	20psi [1.5 bar] MINIMUM
WATER PRESSURE RECOMMENDED	45psi [3.0 bar]

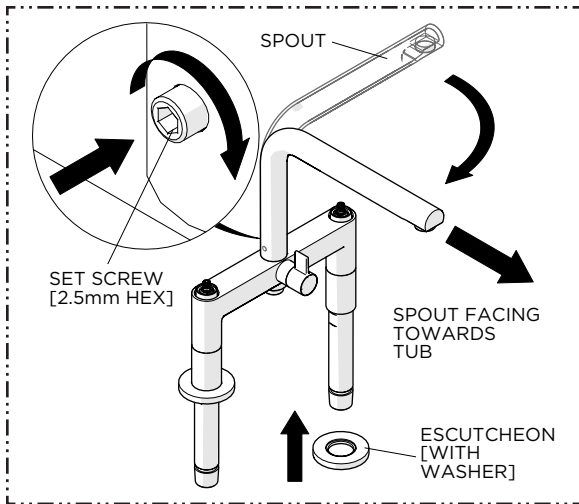
† For **INTERNATIONAL USE ONLY**, 3/4" FEMALE NPT x 3/4" BSPP MALE ADAPTERS are provided.

- Viaworks 3/4" NPT Female x 3/4" Male BSPP Adapter

STYLE No. UNUK05

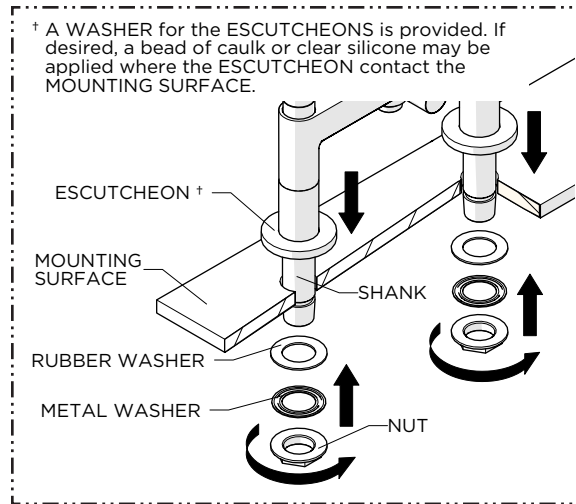
INSTALLATION GUIDELINES

DECK MOUNTED EXPOSED TUB FILLER

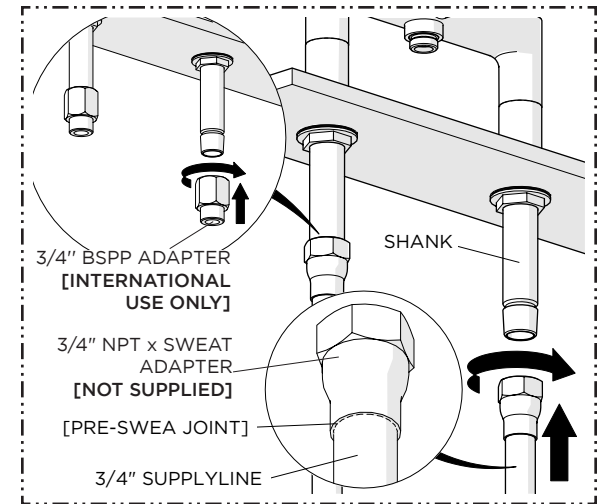


1. Align the SPOUT properly and securely tighten the SET SCREW at the base of the SPOUT then slide the ESCUTCHEONS onto the SHANKS.

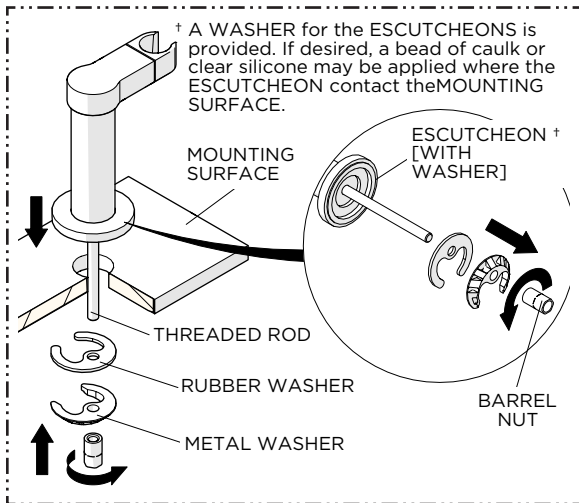
NOTE: Do **NOT** remove the FOAM WASHERS on the ESCUTCHEONS.



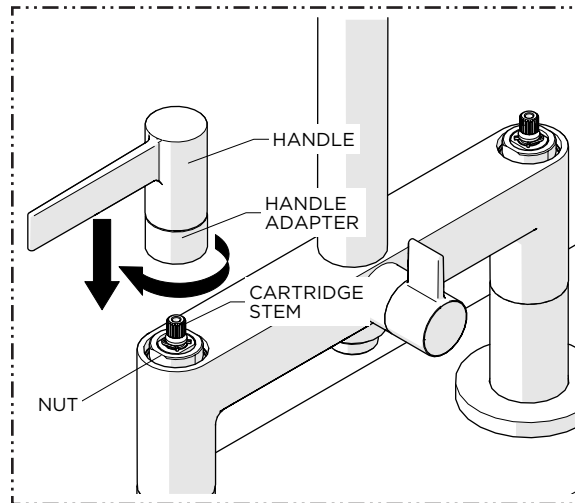
2. Insert the SHANKS into the holes on the MOUNTING SURFACE then attach the RUBBER and METAL WASHERS and NUTS onto the SHANKS. Securely tighten the NUTS against the underside of the MOUNTING SURFACE.



3. Pre-sweat 3/4" female NPT x SWEAT ADAPTERS to 3/4" SUPPLY LINES and let cool. Apply a thin coat of pipe thread sealant to the male threads on the SHANKS then thread and securely tighten the ADAPTERS onto the SHANKS.

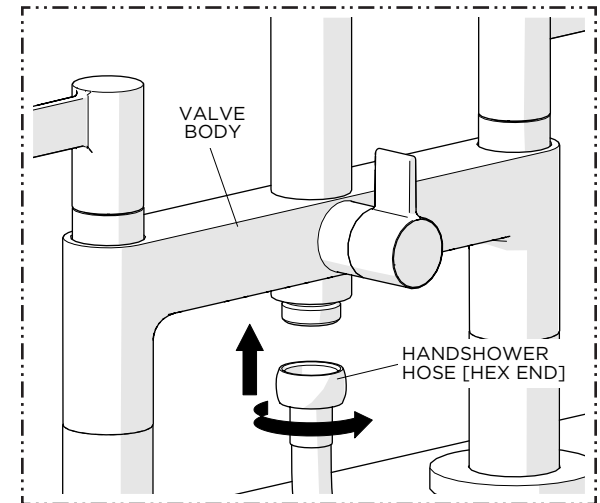


4. Slide the RUBBER and METAL WASHERS back onto the THREADED ROD then thread and securely tighten the BARREL NUT.



5. Place the HANDLE onto the CARTRIDGE STEM, then thread the HANDLE ADAPTER into the NUT and tighten until snug.

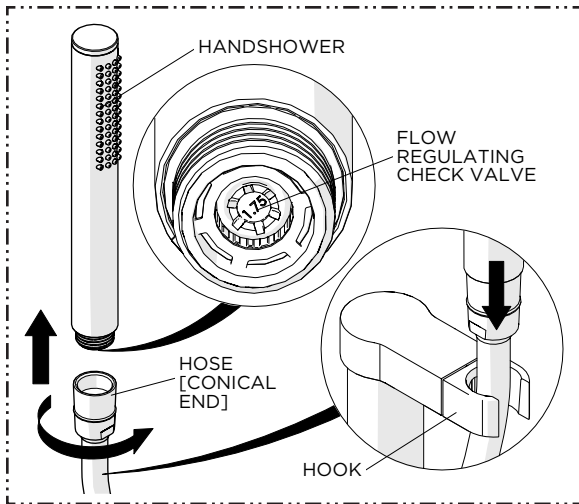
NOTE: Repeat the STEP No. 5 for 2nd HANDLE installation.



6. Thread the HEX END of the HOSE to the SUPPLY ELBOW on the VALVE BODY.

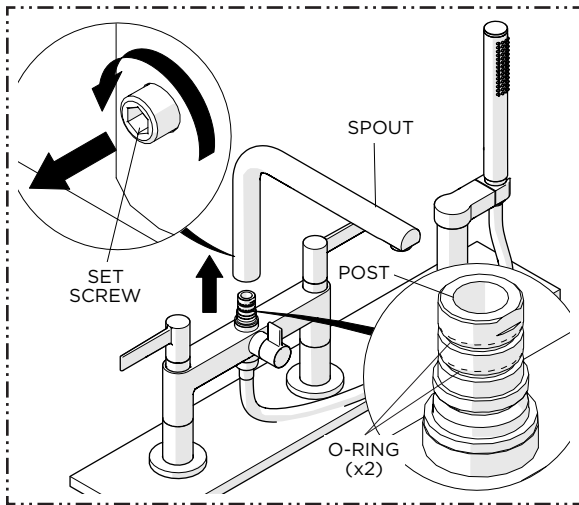
INSTALLATION GUIDELINES

DECK MOUNTED EXPOSED TUB FILLER



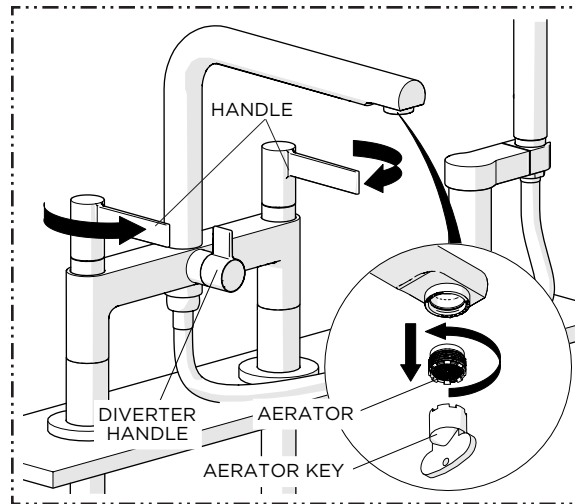
7. Thread the conical end of the HOSE to the HANDSHOWER then rest the HANDSHOWER on the HOOK.

NOTE: A FLOW REGULATING CHECK VALVE is located inside the inlet of the HANDSHOWER.



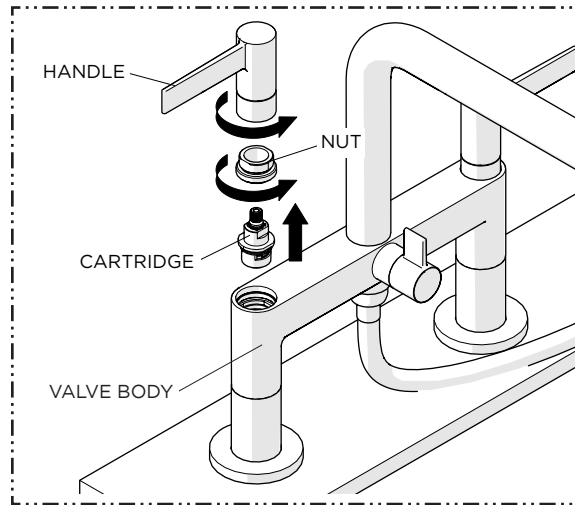
SERVICING THE SPOUT:

1. Loosen, but do **NOT** remove, the SET SCREW at the base of the SPOUT, then remove the SPOUT to expose the POST and external O-RINGS.



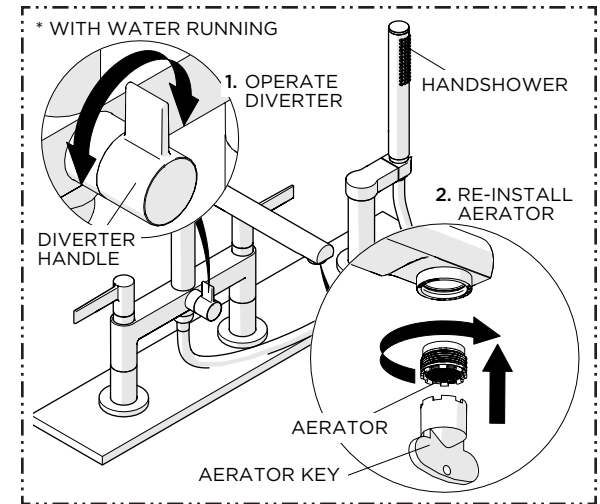
8. Remove the AERATOR using the TOOL provided, then turn on the water supply and operate the HANDLES to flush out the SUPPLY LINES. Check all connections for **leaks**.

NOTE: Ensure the SUPPLY LINES have been flushed before operating the DIVERTER HANDLE.

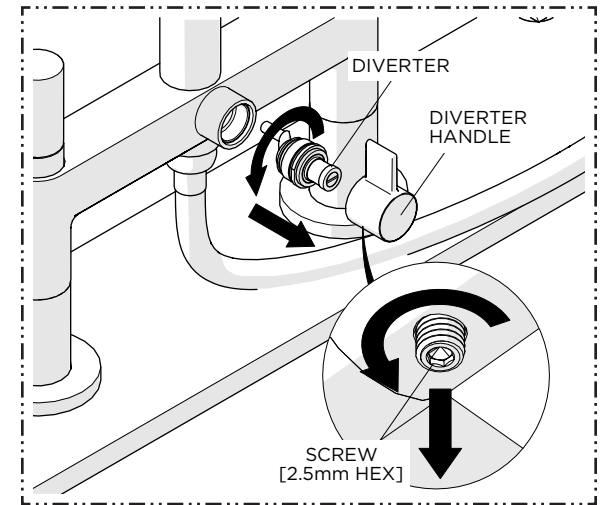


SERVICING THE CARTRIDGE:

1. To access the CARTRIDGE, pull the HANDLE from the VALVE BODY, then unthread and remove the NUT using a 20mm wrench.



9. With water running, operate the DIVERTER HANDLE to ensure that it and the HANDSHOWER function properly. And turn off the water, then re-install the AERATOR.



SERVICING THE DIVERTER:

1. To expose the DIVERTER, remove the DIVERTER HANDLE by Loosen, but do **NOT** remove, the SET SCREW from below, then unthread and remove the DIVERTER SET using a 21mm wrench.