

HENRY

HTH611

Henry Integrated Thermostatic and Dual Volume Control
Trim with Cross and Lever Handles



SHOWN IN HENRY INTEGRATED THERMOSTATIC AND DUAL VOLUME CONTROL TRIM WITH CROSS AND LEVER HANDLES | HTH611

TECHNICAL DETAILS

ADA Compliance: Yes
Integrated Diverter: Y
Number Of Holes: Three Hole
Primary Material: Brass

INSPIRATION

Influenced by the connection of industry and art Henry easily transitions between modern, traditional, utilitarian and classic settings.

CODES & STANDARDS

ASME A112.18.1/CSA B125.1, State of MA

PRODUCT FEATURES

Cross and Lever Handles

CERTIFICATIONS

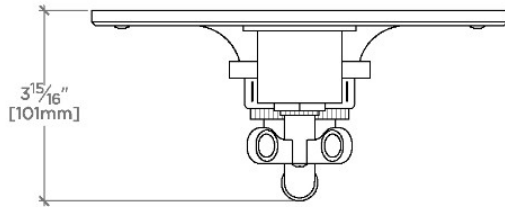


PRODUCT (NOTES)

HENRY

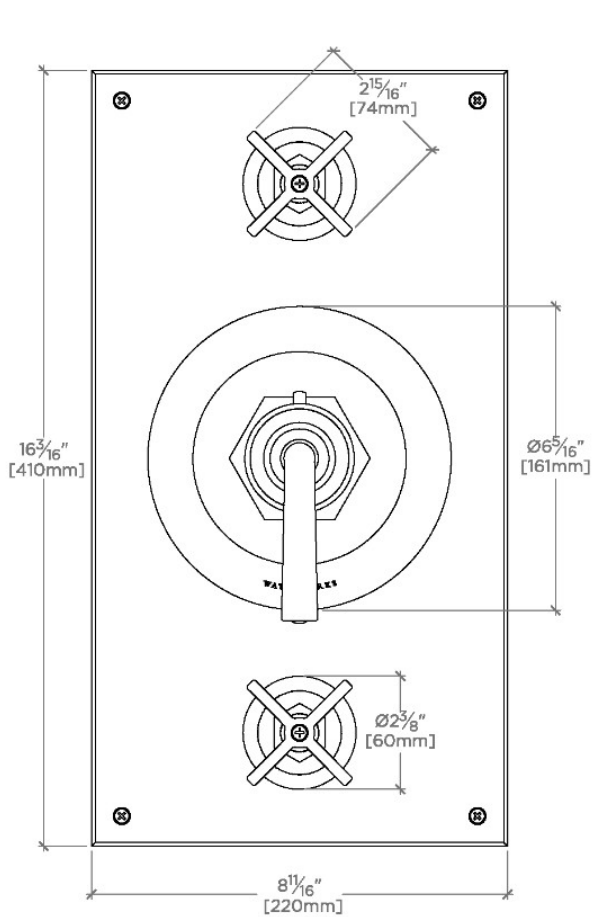
HTH611

Henry Integrated Thermostatic and Dual Volume Control
Trim with Cross and Lever Handles



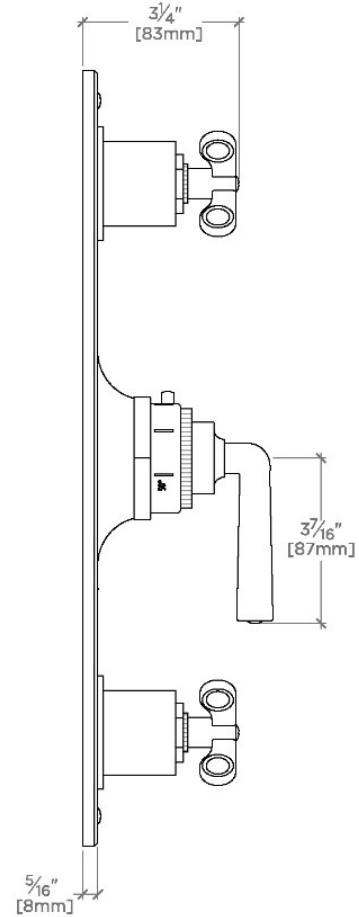
TOP VIEW

SCALE: 3"=1'-0"



FRONT VIEW

SCALE: 3"=1'-0"



SIDE VIEW

SCALE: 3"=1'-0"