

VIAWORKS

GUTH50

ViaWorks 3/4" Thermostatic Valve with Integrated Three Way Diverter with Shutoff Valve



SHOWN IN VIAWORKS 3/4" THERMOSTATIC VALVE WITH INTEGRATED THREE WAY DIVERTER WITH SHUTOFF VALVE | GUTH50

TECHNICAL DETAILS

Inlet Connection Size: 3/4"
 Inlet Connection Type: Female NPT
 Outlet Connection Size: 1/2"
 Outlet Connection Type: Female NPT
 Primary Material: Brass
 Suggested Application: Bath
 Valve Material: Bi-metal Strip/Ceramic
 Water Pressure Maximum: 85.0 psi
 Water Pressure Minimum: 20.0 psi
 Water Pressure Recommended: 45.0 psi

INSPIRATION

The ViaWorks collection encompasses all Waterworks valves, which are just as impeccably engineered as our legendary fittings and the finest the industry has to offer in terms of performance, features and functionality. ViaWorks valves are engineered with more than three generations of bath and kitchen expertise, each with installers and lifelong service in mind.

CODES & STANDARDS

PRODUCT FEATURES

Integrated anti-scald protection.

3/4" inlet connections with 1/2" top outlet connections and optional 3/4" bottom outlet connection.

16 gpm (gallons per minute) unrestricted maximum flow at 60 psi

Flows water to up to six shower components simultaneously. Unique flush plate to clear construction debris before thermostatic cartridge is installed.

Made in Europe of Brass Construction

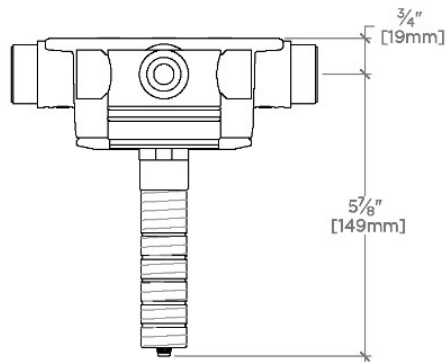
CERTIFICATIONS

PRODUCT (NOTES)

VIAWORKS

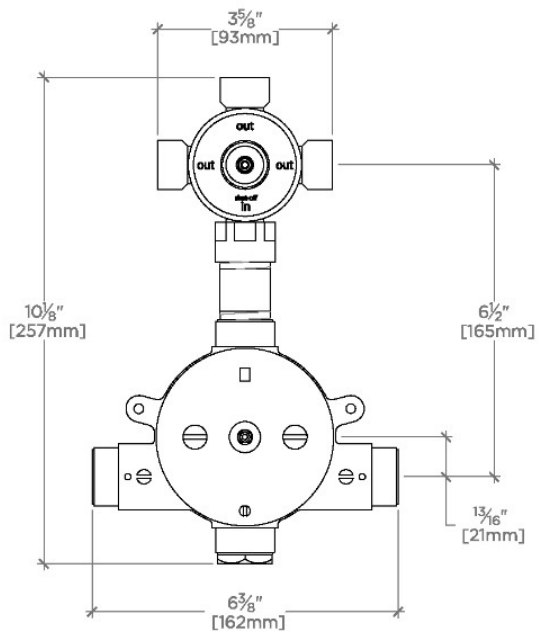
GUTH50

ViaWorks 3/4" Thermostatic Valve with Integrated Three Way Diverter with Shutoff Valve



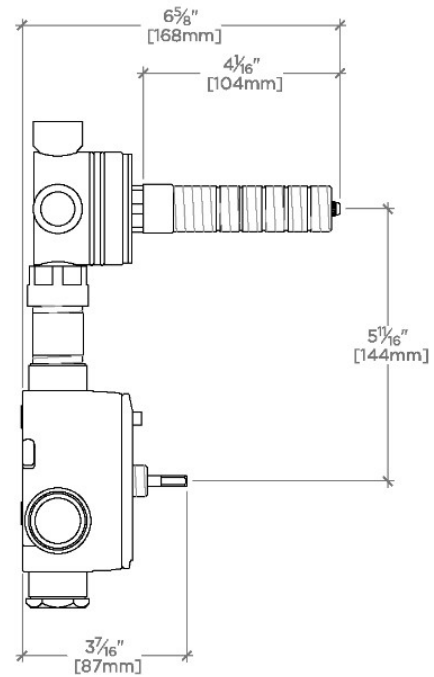
TOP VIEW

SCALE: 3"=1'-0"



FRONT VIEW

SCALE: 3"=1'-0"



SIDE VIEW

SCALE: 3"=1'-0"