

.25

PTLS05

.25 Low Profile Three Hole Wall Mounted Lavatory Faucet with Metal Cross Handles



SHOWN IN .25 LOW PROFILE THREE HOLE WALL MOUNTED LAVATORY FAUCET WITH METAL CROSS HANDLES | PTLS05

TECHNICAL DETAILS

ADA Compliance: Yes
 Adjustable Versus Fixed Spray: Fixed Spray
 Depth/Width: 191 mm
 Drain Assembly Materials: Brass
 Drain Depth Maximum: 44 mm
 Drain Depth Minimum: 32 mm
 Drain Hole Diameter: 44 mm
 Drain Style: Push Touch
 Escutcheon Primary Material: Brass
 Flow Restriction Options: 1.2
 Handle Spread Maximum: 203 mm
 Handle Spread Minimum: 203 mm
 Handle Turn Angle: Quarter Turn
 Height: 64 mm
 Inlet Connection Size: 1/2"
 Inlet Connection Type: Copper Sweat
 Inlet Supply Spread Maximum: 203 mm
 Inlet Supply Spread Minimum: 203 mm
 Installation Type: Wall Mounted
 Length: 264 mm
 Number Of Handles: Two
 Number Of Holes: Three Hole
 Primary Material: Brass
 Restricted Maximum Flow Rate: 4.5 liters/min
 Spout Swivel: N
 Suggested Application: Bath
 Valve Material: Ceramic
 Water Pressure Maximum: 6.0 bar
 Water Pressure Minimum: 1.5 bar
 Water Pressure Recommended: 3.0 bar

INSPIRATION

.25 is the ultimate in utilitarian elegance: A simple and understated design that is equally functional and beautiful.

CODES & STANDARDS

PTLS05X, NSF/ANSI/CAN 61:Q < 1, NSF/ANSI/CAN 372, ASME A112.18.1/CSA B125.1, CEC, State of MA

PRODUCT FEATURES

Uses a simple pop-up drain that is closed and opened by pushing down on the stopper. Does not use a lift rod to operate the drain stopper.

The cross handle's anthropomorphic form is not only gentle in its execution, but also welcome to the touch.

Available in 1.2gpm (4.5L/min) flow rate

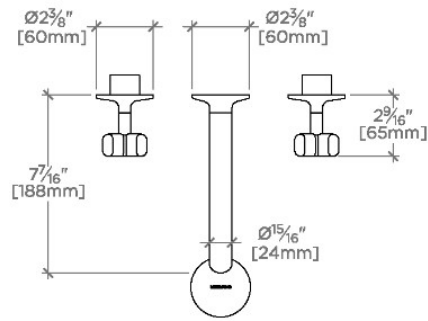
CERTIFICATIONS



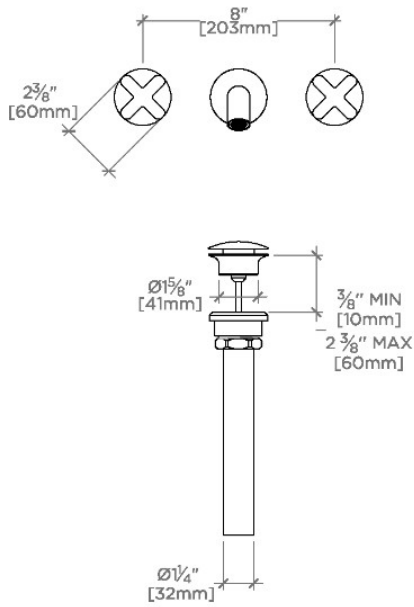
PRODUCT (NOTES)

Requires Valve, sold separately.

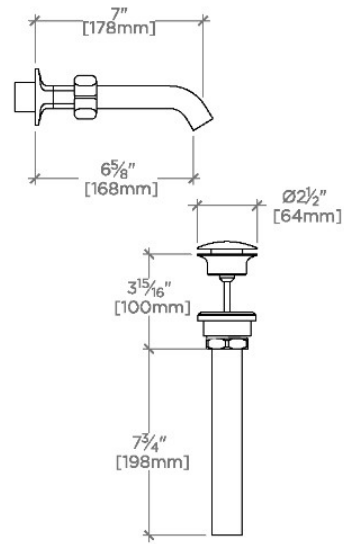
.25 Low Profile Three Hole Wall Mounted Lavatory Faucet with Metal Cross Handles



TOP VIEW SCALE: 1 1/2"=1'-0"



FRONT VIEW SCALE: 1 1/2"=1'-0"



SIDE VIEW SCALE: 1 1/2"=1'-0"