

COSTINE

CS02LT

Costine Wall Mounted Bar Sconce with Etched Glass Shade



TECHNICAL DETAILS

Ambient / Task: Ambient
Bulb Type: Dedicated LED
Depth / Width: 2083 mm
Height: 15494 mm
Installation Type: Wall Mounted
Interior / Exterior Application: Interior Only
Junction Box Orientation: Vertical
Length: 2896 mm
Number of Bulbs: One
Orientation: Any
Primary Material: Brass
Safety Warnings: ALWAYS DISCONNECT THE POWER BEFORE INSTALLING AND BEFORE CLEANING OR OTHER MAINTENANCE. CONSULT A QUALIFIED, LICENSED ELECTRICIAN TO ENSURE CORRECT BRANCH CIRCUIT CONDUCTOR
Shade Finish: White
Shade Material: Etched Blown Cased Glass
Shade Shape: Cylinder
Suggested Application: All Applications
Voltage: 240V
Wet / Dry: Damp or Dry

INSPIRATION

A classic, contemporary look with bold presence. This versatile geometric sconce illuminates with diffuse, comfortably bright light.

CODES & STANDARDS

CE

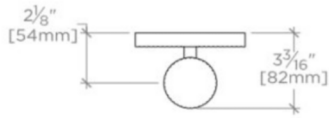
PRODUCT FEATURES

Proprietary design
Solid brass and glass
CE rated
Mounts vertically or horizontally
Dimmable LED fixture - 50,000 hours of life

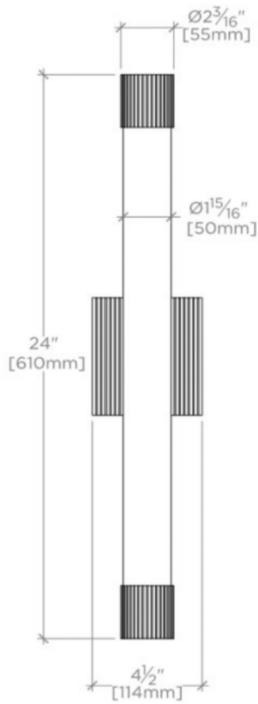
COSTINE

CS02LT

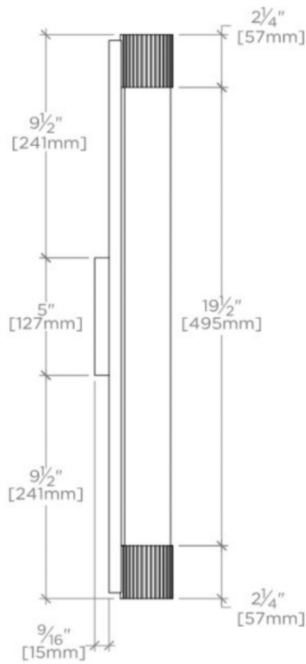
Costine Wall Mounted Bar Sconce with Etched Glass Shade



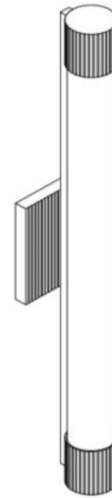
TOP VIEW SCALE: 1/2"=1'-0"



FRONT VIEW SCALE: 1/2"=1'-0"



SIDE VIEW SCALE: 1/2"=1'-0"



ISO VIEW SCALE: 1/2"=1'-0"