

AERO

AE2T01

Aero Two Way Diverter Valve Trim for Thermostatic with Metal Cross Handle



TECHNICAL DETAILS

Diverter Valve Rough-in Depth Maximum: 117 mm
Diverter Valve Rough-in Depth Minimum: 64 mm
Handle Turn Angle: Quarter Turn Each Way
Depth / Width: 79 mm
Height: 95 mm
Length: 95 mm

INSPIRATION

Inspired by the stepped detail of 19th century telescopes, Aero is a combination of historical reference with a contemporary temperament. The result is original and modern, bringing a look of updated elegance.

PRODUCT FEATURES

Metal cross handle

For use with a Thermostatic shower system and two waterway outlets such as a handshower, shower head, or tub spout

Features signature stepped and gadrooning detail on escutcheon

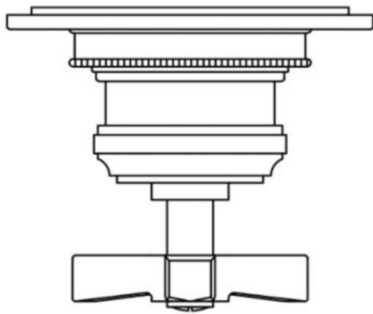
Stocked in Chrome and Nickel

Requires GUDV14 (Sold Separately)

AERO

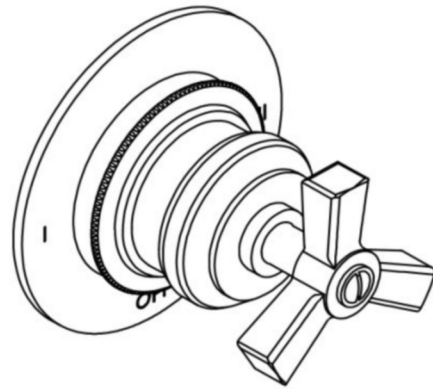
AE2T01

Aero Two Way Diverter Valve Trim for Thermostatic with Metal Cross Handle



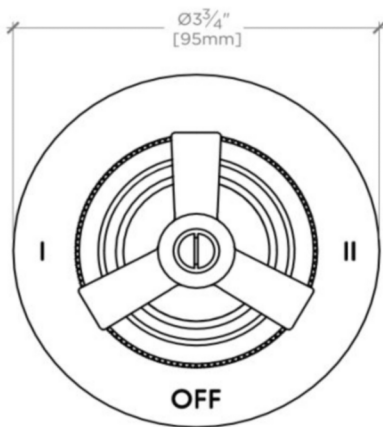
TOP VIEW

SCALE: 6"=1'-0"



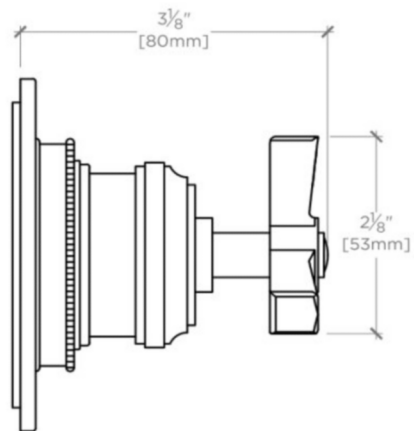
ISO VIEW

SCALE: 6"=1'-0"



FRONT VIEW

SCALE: 6"=1'-0"



SIDE VIEW

SCALE: 6"=1'-0"