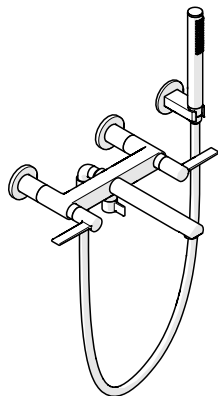


# INSTALLATION GUIDELINES

## WALL MOUNTED EXPOSED TUB FILLER

### FINOT WALL MOUNTED EXPOSED TUB FILLER WITH HANDSHOWER AND LEVER HANDLES



STYLES	
NXT180 [SHOWN]	NXT190

#### IMPORTANT:

- To ensure this product is installed properly, you must read and follow these guidelines.
- The owner/user of this product must keep this information for future reference.
- This product must be installed by a professional licensed contractor and must be on-site prior to rough-in. This allows the installer to visualize the installation and verify the 8" [203mm] on-center inlet supply spread. The inlet supply spread on this product is **NOT** adjustable.
- Check TUB measurements to ensure the SPOUT project far enough into the TUB.
- Run 3/4" SUPPLY LINES for **MAXIMUM** flow and install ACCESSIBLE hot and cold service stop valves to facilitate servicing.
- Be sure your installation conforms to all federal, state, and local codes.
  - Anti-scaled protection is the responsibility of the installer and according to applicable codes.
  - A water temperature limiting device is the responsibility of the installer and must be in accordance with ASSE 1070.
  - In the State of Massachusetts, all installations must comply with the rules and regulations set forth within 248 CMR.
- Inspect this product to ensure you have all the parts required for proper installation.
- Product is **sold partially** assembled but shown fully disassembled for illustrative and service purposes only.

- Use only a strap wrench or protected/smooth-jaw wrench on any finished surface.
- The use of certain plumber's putty may stain stone or tile surfaces.
- If further assistance is required, please contact Product Support at 1-800-927-2120 Monday through Friday, 8am - 6pm EST.
- Refer to the separate Service Parts Documents for available replacement parts.

#### TECHNICAL DETAILS:

DETAIL	SPECIFICATION
FITTINGS HOLE DIAMETER	Ø1-3/8" [35mm]
HANDLE TURN ANGLE	QUARTER TURN
HOSE LENGTH	60" [1.5m]
INLET CONNECTION	3/4" MALE NPT †
INLET SUPPLY SPREAD	8" [203mm] <b>[NOT ADJUSTABLE]</b>
INTEGRATED DIVERTER	YES
SPOUT REACH	11-10/16" [295mm]
WATER PRESSURE	85psi [6.0 bar] <b>MAXIMUM</b>
	20psi [1.5 bar] <b>MINIMUM</b>
WATER PRESSURE RECOMMENDED	45psi [3.0 bar]

† For **INTERNATIONAL USE ONLY**, 3/4" BSPP MALE x M28 MALE ADAPTERS are provided.

- Viaworks 3/4" BSPP x Slip Connection Union Pair for Wall Mounted Exposed Tub Fillers.

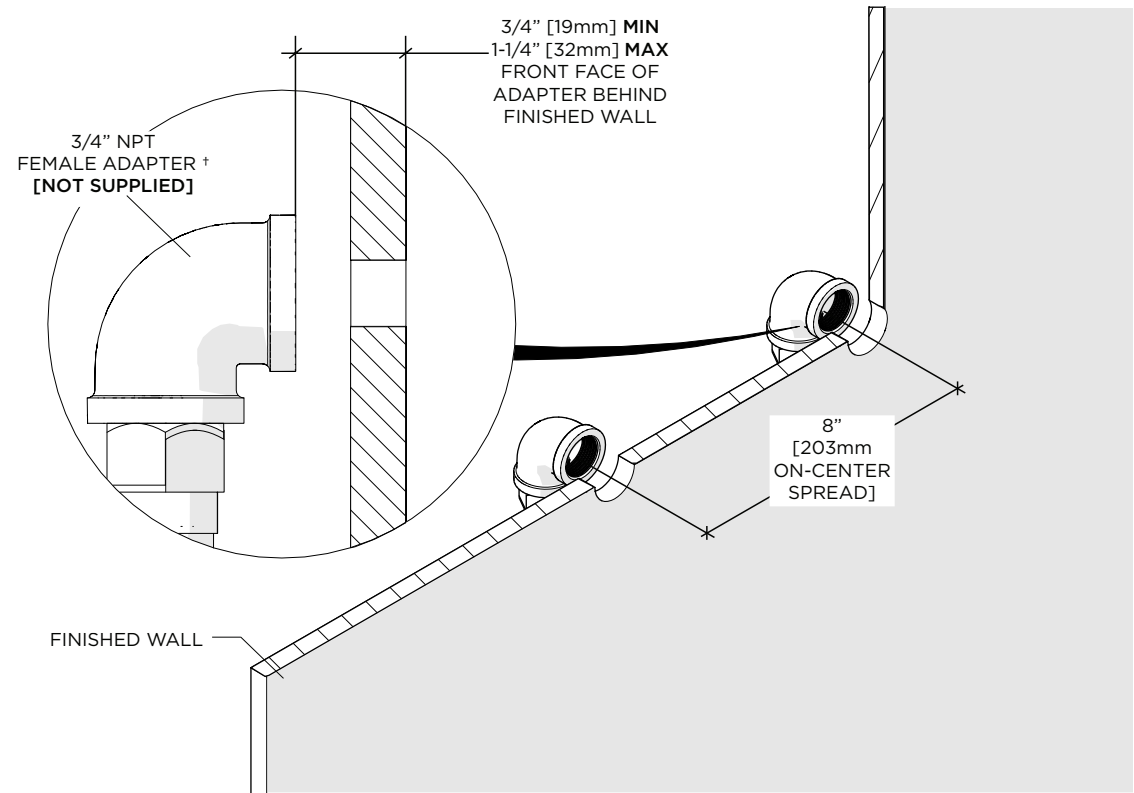
**STYLE No.** UNUKXT

# INSTALLATION GUIDELINES

## WALL MOUNTED EXPOSED TUB FILLER

### ROUGH-IN:

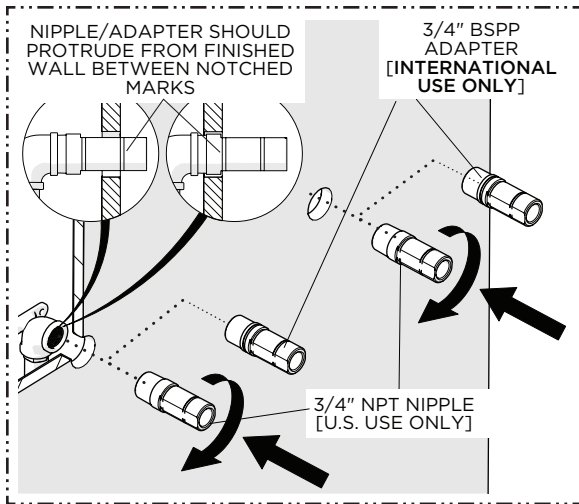
- **WARNING:** The inlet supply spread of this product is **NOT ADJUSTABLE!** If the rough-in is **NOT** accurate it will make the installation difficult or impossible.
- Run well supported 3/4" **hot** and **cold** SUPPLY LINES for **MAXIMUM** water flow and install 3/4" FEMALE NPT ADAPTERS<sup>†</sup> (**not supplied**) making sure the ADAPTERS are:
  - Securely anchored/strapped,
  - Level,
  - Perpendicular to finished wall,
  - Parallel to each other,
  - At the proper spread of 8" [203mm] and
  - At the appropriate and equal depths.



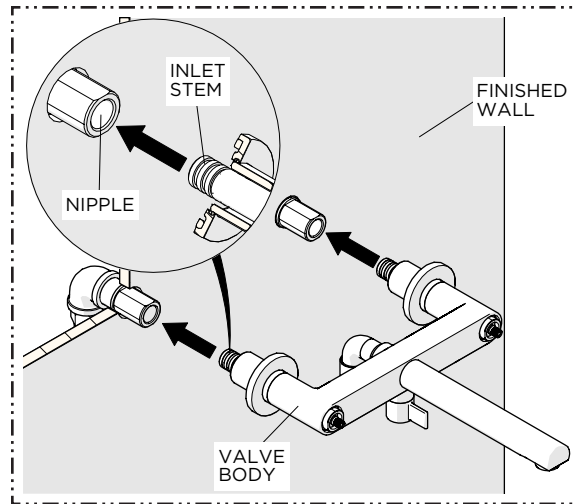
1. Verify the 8" [203mm] inlet supply spread.
  2. Verify the depth of the ADAPTERS (**not supplied**) making sure the front face is between 3/4" [19mm] **MINIMUM** and 1-1/4" [32mm] **MAXIMUM**.
  3. PROCEED TO THE TUB FILLER INSTALLATION SECTION.
- <sup>†</sup> For **INTERNATIONAL USE ONLY**, 3/4" BSPP MALE X M28 MALE ADAPTERS ARE PROVIDED.
- Viaworks 3/4" BSPP x Slip Connection Union Pair for Wall Mounted Exposed Tub Fillers. **STYLE No. UNUKXT**

# INSTALLATION GUIDELINES

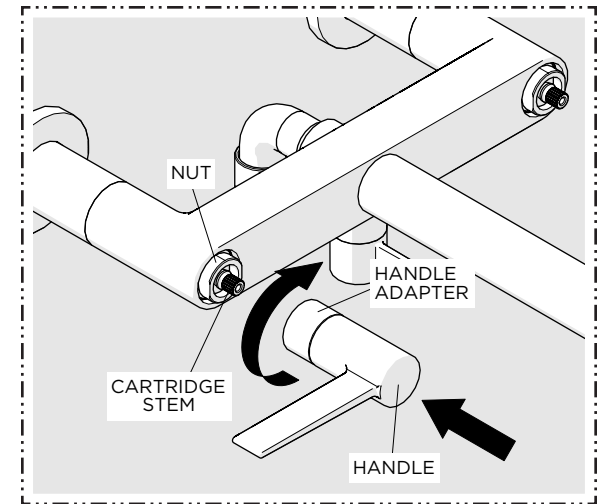
## WALL MOUNTED EXPOSED TUB FILLER



1. Thread and securely tighten the 3/4" NPT NIPPLES into the SUPPLY ELBOWS after removing them from the VALVE BODY. When installed correctly, the NIPPLES should protrude from the finished wall between the **notched marks**.

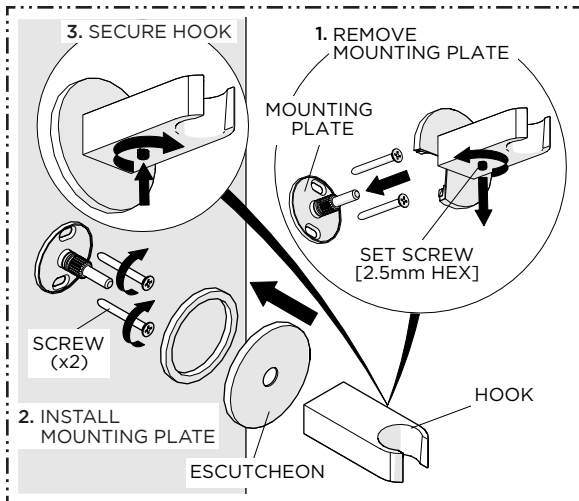


2. Connect the VALVE BODY to the NIPPLES by inserting the INLET STEMS. Thread until the VALVE BODY contacts the FINISHED WALL.

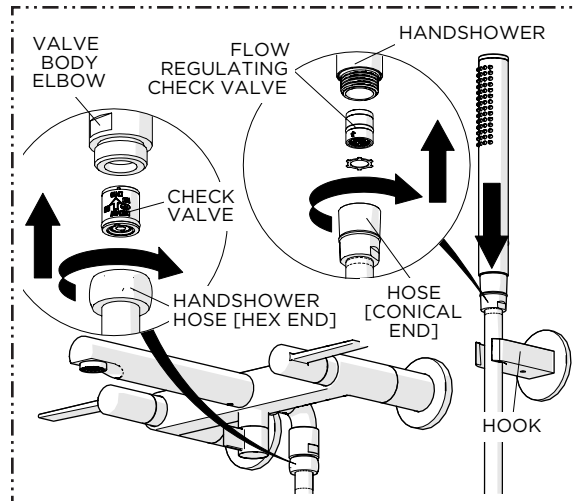


3. Place the HANDLE onto the CARTRIDGE STEM, then thread the HANDLE ADAPTER into the NUT and tighten until snug.

**NOTE:** Repeat the STEP No. 3 for 2nd HANDLE installation.

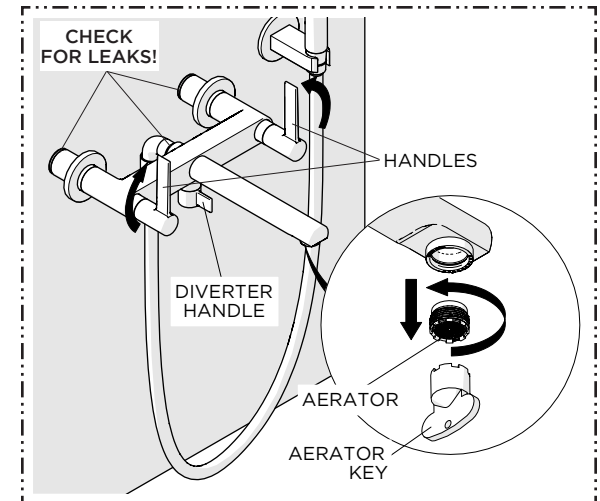


4. Remove the MOUNTING PLATE from the HOOK by unthreading the SET SCREW. Install the MOUNTING PLATE in the required location using the provided SCREWS. Reattach the ESCUTCHEON and HOOK to the MOUNTING PLATE and secure by threading the SET SCREW.



5. Thread the HEX end of the HOSE to the SUPPLY ELBOW on the VALVE BODY, then thread the conical end of the HOSE to the HANDSHOWER and rest the HANDSHOWER on the HOOK.

**NOTE:** CHECK VALVE is located in the ELBOW outlet, and a FLOW REGULATING CHECK VALVE is located in the HANDSHOWER inlet.

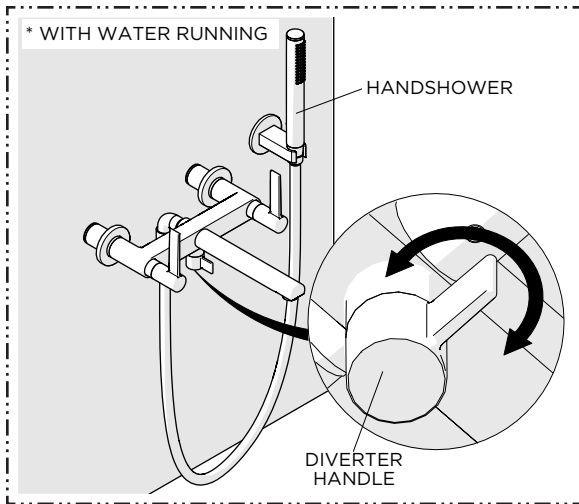


6. Remove the AERATOR using the TOOL provided, then turn on the water supply and operate the HANDLES to flush out the SUPPLY LINES. Check all connections for **leaks**.

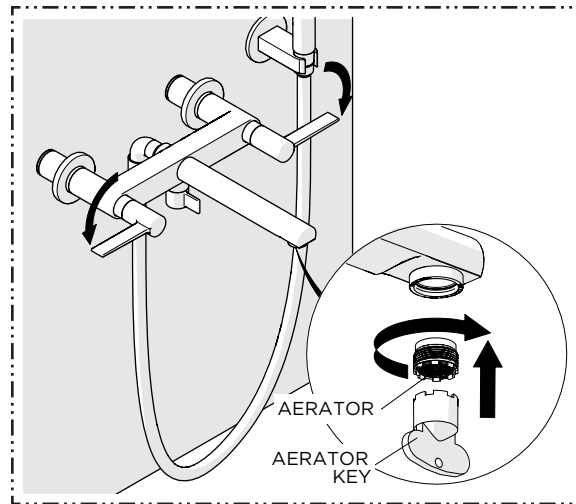
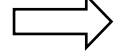
**NOTE:** Ensure the SUPPLY LINES have been flushed before operating the DIVERTER HANDLE.

# INSTALLATION GUIDELINES

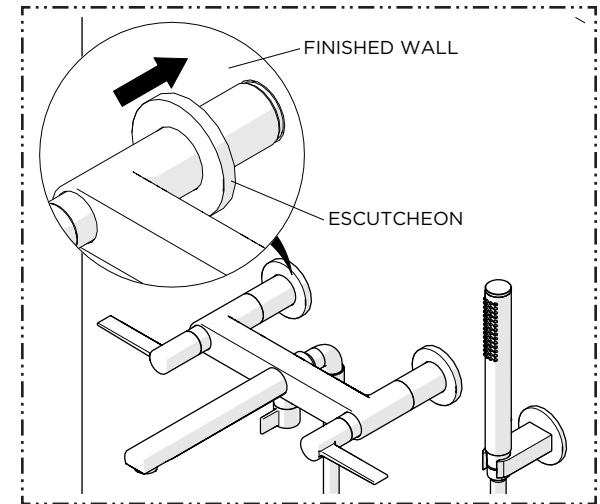
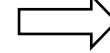
## WALL MOUNTED EXPOSED TUB FILLER



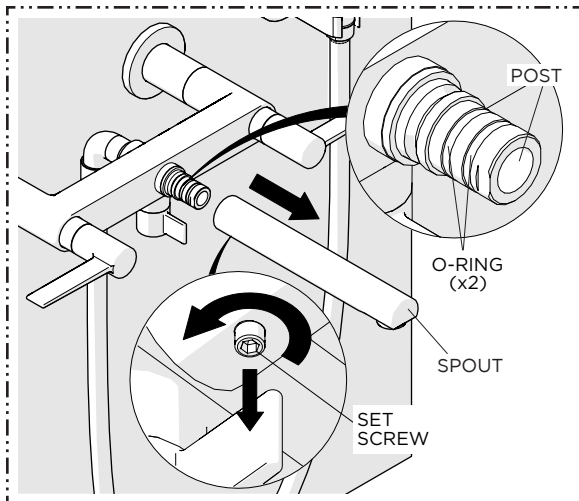
7. With water running, operate the DIVERTER HANDLE to ensure that it and the HANDSHOWER function properly.



8. Turn off the water, then re-install the AERATOR.

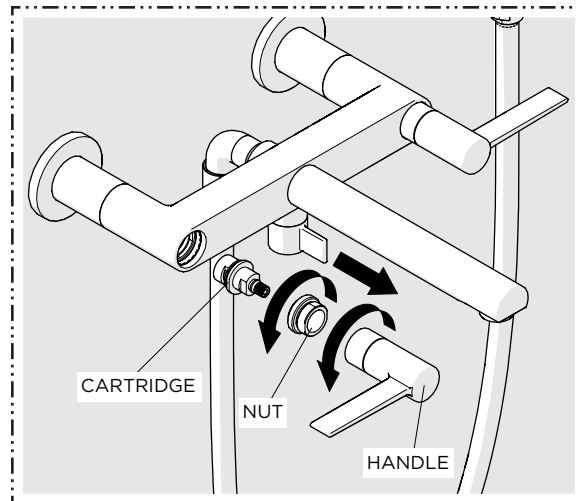
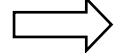


9. Slide the ESCUTCHEONS down the POSTS until they make contact with the FINISHED WALL.



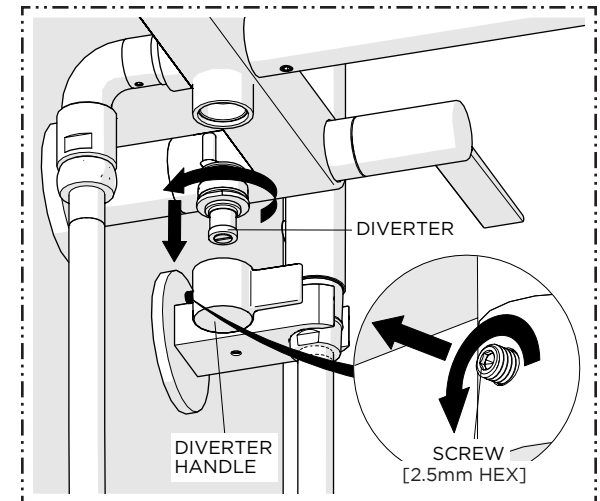
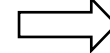
### SERVICING THE SPOUT:

1. Loosen, but do **NOT** remove, the SET SCREW at the base of the SPOUT, then remove the SPOUT to expose the POST and external O-RINGS.



### SERVICING THE CARTRIDGE:

1. To access the CARTRIDGE, unthread the HANDLE from the VALVE BODY, then unthread and remove the NUT using a 20mm wrench.



### SERVICING THE DIVERTER:

1. To expose the DIVERTER, remove the DIVERTER HANDLE by loosening but **NOT** removing the SET SCREW from behind. Then unthread and remove the DIVERTER SET using a 21mm wrench.