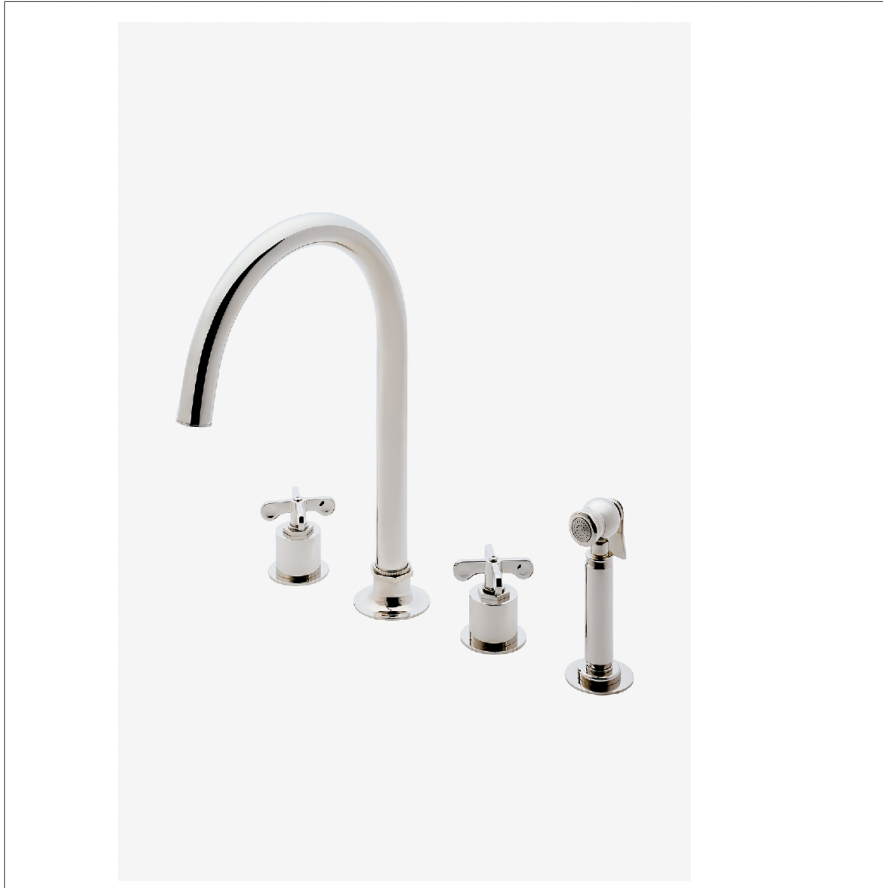


Henry

HKM301

Henry Three Hole Gooseneck Kitchen Faucet with Cross Handles and Spray



SHOWN IN HENRY THREE HOLE GOOSENECK KITCHEN FAUCET WITH CROSS HANDLES AND SPRAY | HKM301

TECHNICAL DETAILS

ADA Compliance: Yes
 Deck Thickness Maximum: 27 mm
 Deck Thickness Minimum: 8 mm
 Fittings Hole Diameter: 35 mm
 Handle Turn Angle: Quarter Turn
 Handshower Spray Hose Length: 1.5 m
 Inlet Connection Size: 1/2"
 Inlet Connection Type: Male with Supply Nut
 Restricted Maximum Flow Rate: 6.6 liters/min
 Spout Swivel: Y
 Spray Included In Unit: Y
 Valve Material: Brass and Ceramic
 Water Pressure Maximum: 6.0 bar
 Water Pressure Minimum: 1.5 bar
 Water Pressure Recommended: 3.0 bar

INSPIRATION

Celebrating the connection of industry and art, Henry transitions effortlessly between modern, traditional, and classic settings. These iconic fittings blend 19th-century industrial and artistic references for a look that's forever of the moment—familiar yet wholly original.

CODES & STANDARDS

HKM301X, NSF/ANSI/CAN 61:Q < 1, NSF/ANSI/CAN 372, ASME A112.18.1/CSA B125.1

PRODUCT FEATURES

Features Cross Handles

Stocked In Chrome, Nickel, Brass and Dark Nickel

Single function sidespray

CERTIFICATIONS



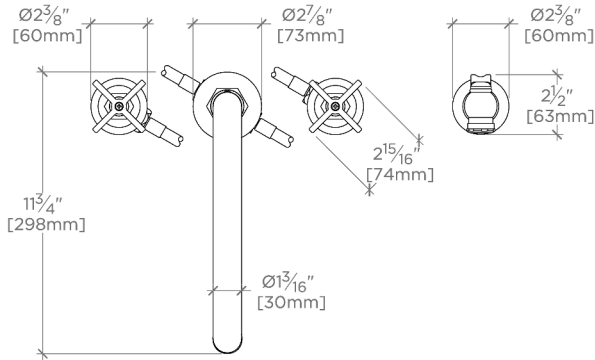
PRODUCT (NOTES)

WATERWORKS

Henry

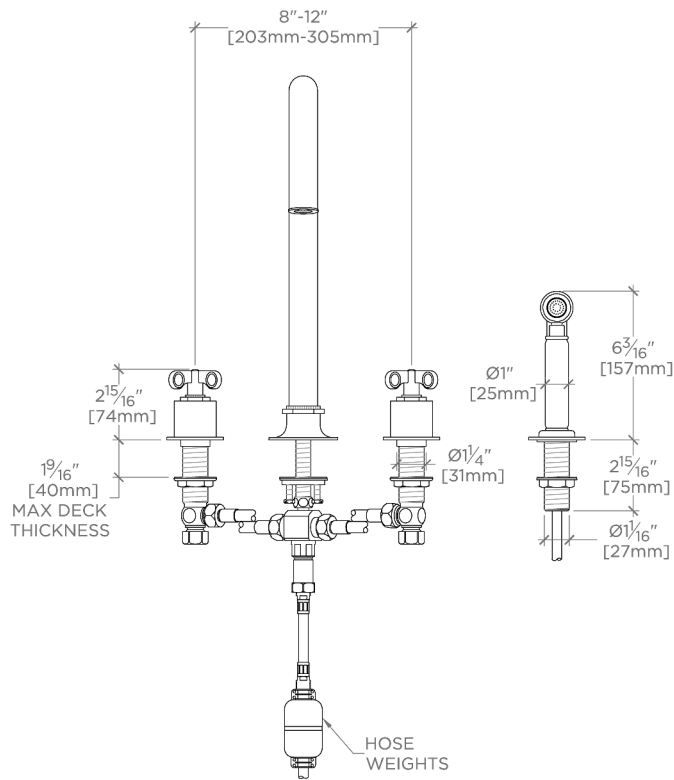
HKM301

Henry Three Hole Gooseneck Kitchen Faucet with Cross Handles and Spray



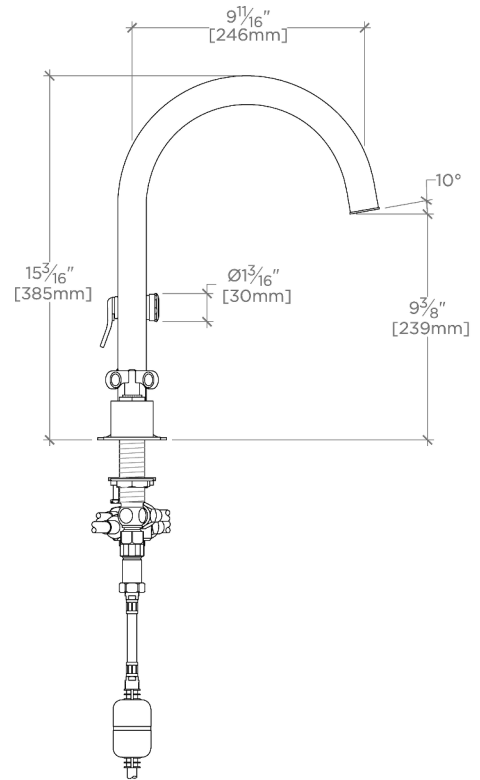
TOP VIEW

SCALE: 1/2"=1'-0"



FRONT VIEW

SCALE: 1/2"=1'-0"



SIDE VIEW

SCALE: 1/2"=1'-0"