

## Henry

HTH613

Henry Integrated Thermostatic and Dual Volume Control  
Trim with Coin Edge Cross and Lever Handles



SHOWN IN HENRY INTEGRATED THERMOSTATIC AND DUAL VOLUME CONTROL TRIM WITH COIN EDGE CROSS AND LEVER HANDLES | HTH613

### INSPIRATION

Influenced by the connection of industry and art Henry easily transitions between modern, traditional, utilitarian and classic settings.

### PRODUCT FEATURES

Coin Edge Cross and Lever Handles

### TECHNICAL DETAILS

ADA Compliance: Yes  
Integrated Diverter: Y  
Number Of Holes: Three Hole  
Primary Material: Brass

### CODES & STANDARDS

ASME A112.18.1/CSA B125.1, State of MA

### CERTIFICATIONS



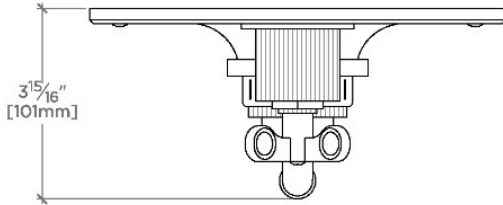
### PRODUCT (NOTES)

# WATERWORKS

## Henry

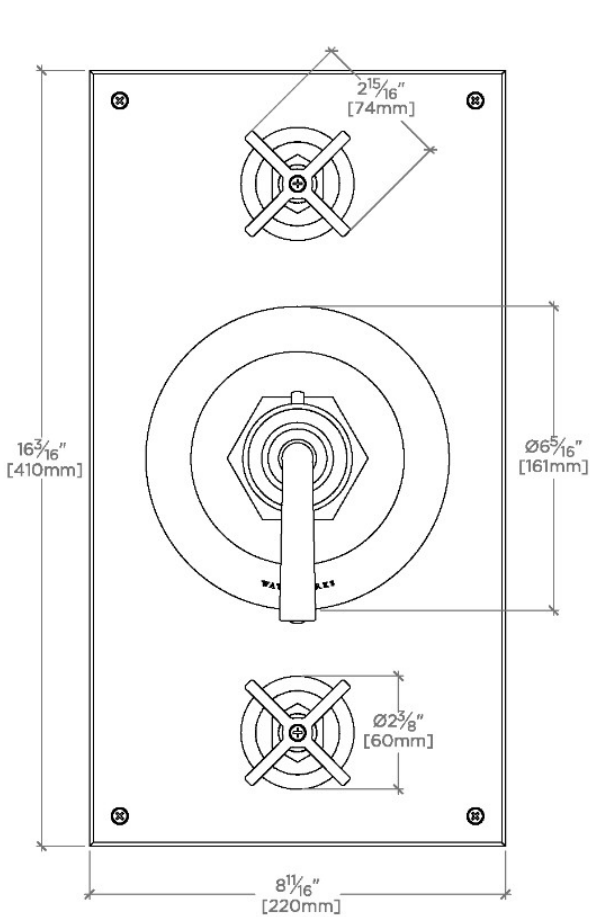
HTH613

Henry Integrated Thermostatic and Dual Volume Control  
Trim with Coin Edge Cross and Lever Handles



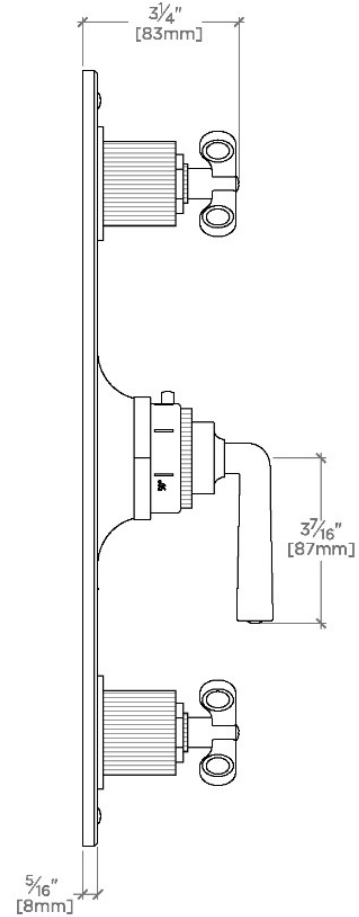
TOP VIEW

SCALE: 3"=1'-0"



FRONT VIEW

SCALE: 3"=1'-0"



SIDE VIEW

SCALE: 3"=1'-0"