

## .25

## PTXT90

.25 Floor Mounted Exposed Tub Filler With Handshower and Joystick Handle



SHOWN IN .25 FLOOR MOUNTED EXPOSED TUB FILLER WITH HANDSHOWER AND JOYSTICK HANDLE | PTXT90

### TECHNICAL DETAILS

ADA Compliance: Yes  
 Flow Restriction Options: 2.5, 2.0, 1.75, 1.5, 0.92  
 Inlet Connection Size: 1/2"  
 Inlet Connection Type: Female NPT  
 Installation Type: Freestanding  
 Integrated Diverter: N  
 Suggested Application: Bath  
 Water Pressure Maximum: 80.0 psi  
 Water Pressure Minimum: 20.0 psi  
 Water Pressure Recommended: 45.0 psi

### INSPIRATION

.25 is the ultimate in utilitarian elegance: A simple and understated design that is equally functional and beautiful.

### CODES & STANDARDS

ASME A112.18.1/CSA B125.1, Waterworks Handshowers use check valves compliant to ASME A112.18.3 for backflow protection. CEC, State of MA

### PRODUCT FEATURES

Tilt & Turn Handle allows for easy, one-handed operation

Unrestricted (spout) water flow of approximately 7.5 gallons per minute (gpm) and handshower water flow of 2.5 gpm  
Includes floor unions

Independent Progressive Valve allows bather to independently control water to handshower

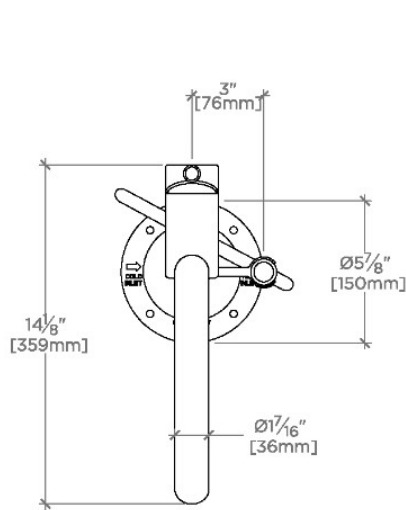
Standard flow rate is 2.5gpm for handshower only. Also available in high efficient flow options. Contact your sales associate or call 1 (800) 899-6757 for details.

### CERTIFICATIONS

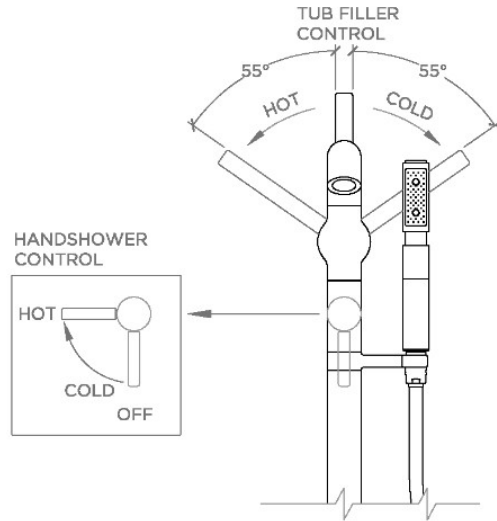


### PRODUCT (NOTES)

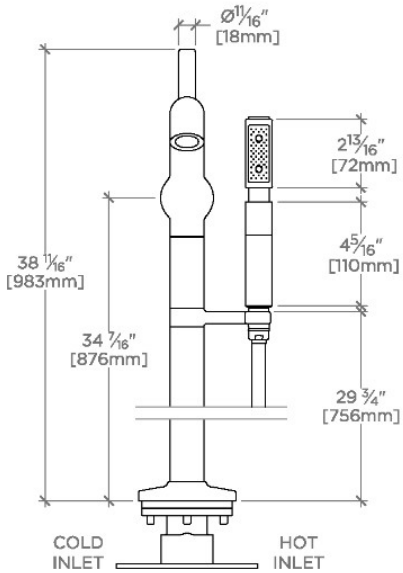
.25 Floor Mounted Exposed Tub Filler With Handshower and Joystick Handle



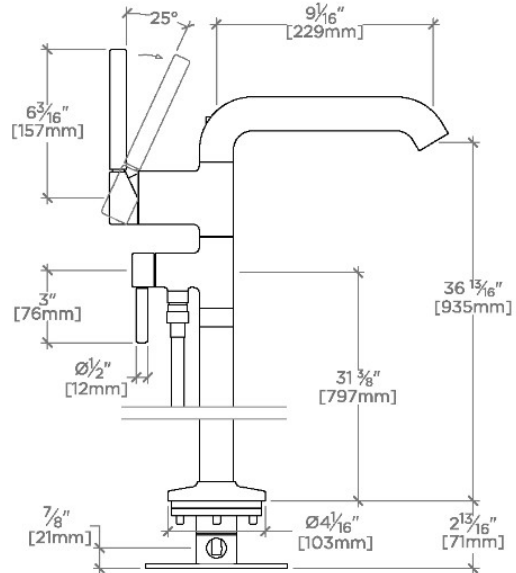
TOP VIEW SCALE: 1/2"=1'-0"



HANDLE OPERATION SCALE: 1/2"=1'-0"



FRONT VIEW SCALE: 1/2"=1'-0"



SIDE VIEW SCALE: 1/2"=1'-0"