

## BOND

BLS32E

Bond Union Series Wall Mounted Lavatory Faucet with Guilloche Pinstripe Single Lever Handle



SHOWN IN BOND UNION SERIES WALL MOUNTED LAVATORY FAUCET WITH GUILLOCHE PINSTRIPE SINGLE LEVER HANDLE | BLS32E

### TECHNICAL DETAILS

ADA Compliance: Yes  
 Drain Depth Maximum: 2 5/8"  
 Drain Depth Minimum: 3/8"  
 Drain Hole Diameter: 1 3/4"  
 Drain Style: Push Touch  
 Fittings Hole Diameter: 1 3/8"  
 Flow Restriction Options: 1.2  
 Handle Turn Angle: Quarter Turn  
 Inlet Connection Size: 1/2"  
 Inlet Connection Type: Female NPT  
 Number Of Holes: Two Hole  
 Primary Material: Brass  
 Restricted Maximum Flow Rate: 1.2 gpm  
 Spout Swivel: N  
 Water Pressure Maximum: 85.0 psi  
 Water Pressure Minimum: 20.0 psi  
 Water Pressure Recommended: 45.0 psi

### INSPIRATION

Modern designs infused with rare soul and artistry. Explore our wide range of Bond bath and kitchen elements, from fittings to fixtures to hardware.

### CODES & STANDARDS

BLS32EX, NSF/ANSI/CAN 61:Q < 1, NSF/ANSI/CAN 372, ASME A112.18.1/CSA B125.1, CEC

### PRODUCT FEATURES

Lever Handle

Includes Universal Push-Touch Drain (UNLD23) which fits 1-1/2" through 1-3/4" drain hole openings

Features Guilloche Lines combined with Pinstripe Handle

Stocked in Nickel and Brass

Available in 1.2gpm (4.5L/min) flow rate; Requires valve, sold separately: GULV29

### CERTIFICATIONS

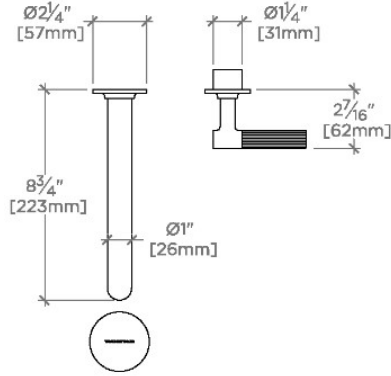


### PRODUCT (NOTES)

## BOND

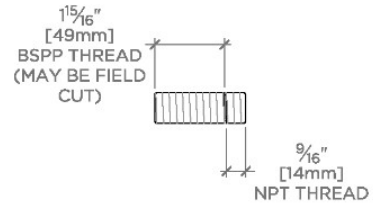
BLS32E

Bond Union Series Wall Mounted Lavatory Faucet with  
Guilloche PinStripe Single Lever Handle

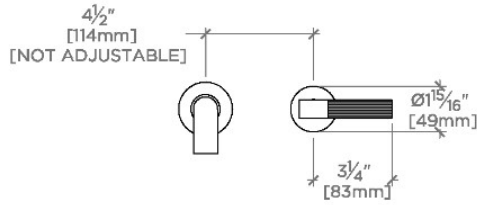


TOP VIEW

SCALE: 1/2"=1'-0"

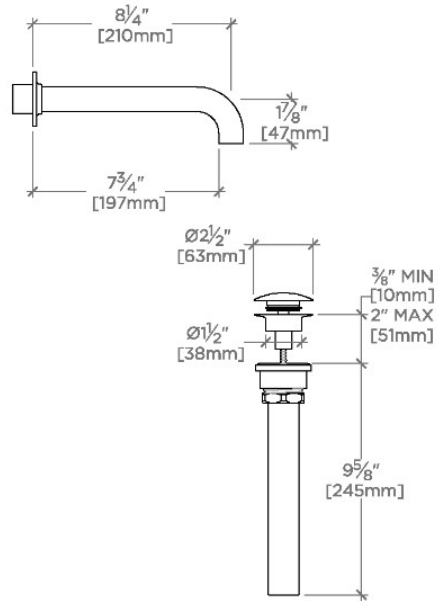


ADAPTER INCLUDED - INTERNATIONAL USE ONLY



FRONT VIEW

SCALE: 1/2"=1'-0"



SIDE VIEW

SCALE: 1/2"=1'-0"