

R.W. Atlas

RWTH01

R.W. Atlas Thermostatic Control Valve Trim with Metal Wheel Handle



SHOWN IN R.W. ATLAS THERMOSTATIC CONTROL VALVE TRIM WITH METAL WHEEL HANDLE | RWTH01

TECHNICAL DETAILS

ADA Compliance: Yes
 Depth/Width: 90 mm
 Fittings Hole Diameter: 133 mm
 Height: 160 mm
 Integrated Diverter: N
 Integrated Spray: N
 Length: 171 mm
 Number Of Handles: One
 Pivot: N
 Primary Material: Brass
 Spout Swivel: N
 Spray Included In Unit: N
 Suggested Application: Bath

INSPIRATION

Powerful shapes, genuine materials and unique aesthetic details. The original, impeccable vision of R.W. Atlas pairs American ingenuity with European craftsmanship.

CODES & STANDARDS

ASME A112.18.1/CSA B125.1, State of MA

PRODUCT FEATURES

- Features knurled detail on the handle.
- Features temperature engraved markings H, C and 100 degree.
- Offers a temperature limit stop with override button.
- Meets ADA requirements.

CERTIFICATIONS



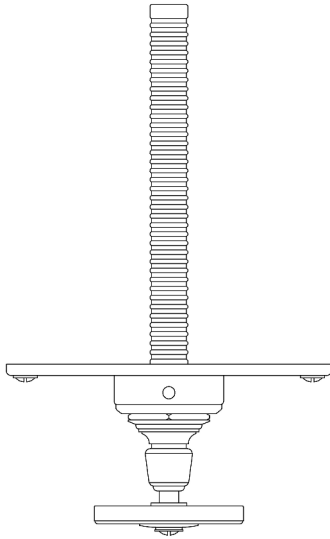
PRODUCT (NOTES)

Requires 3/4" Universal Thermostatic Valve: 26-42456-04860.

R.W. Atlas

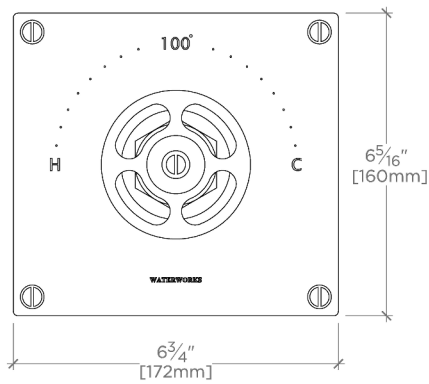
RWTH01

R.W. Atlas Thermostatic Control Valve Trim with Metal Wheel Handle



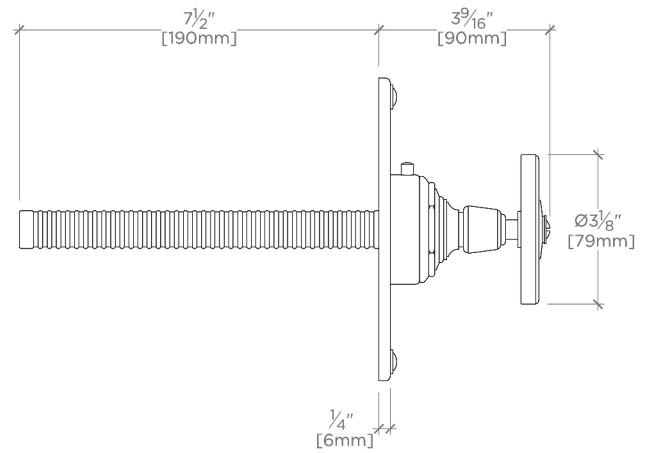
TOP VIEW

SCALE: 3"=1'-0"



FRONT VIEW

SCALE: 3"=1'-0"



SIDE VIEW

SCALE: 3"=1'-0"