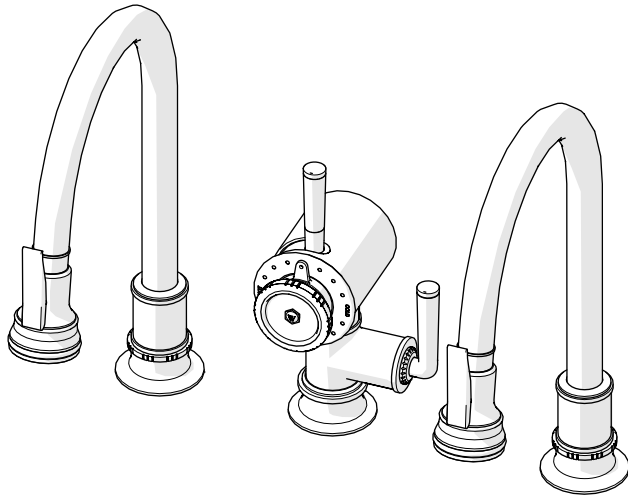


# INSTALLATION GUIDELINES

## GOOSENECK KITCHEN FAUCET

### HENRY CHRONOS DOUBLE GOOSENECK INTEGRATED PULL SPRAY KITCHEN FAUCET WITH LEVER HANDLES



STYLES	
CKM611 [SHOWN]	CKM614

#### IMPORTANT:

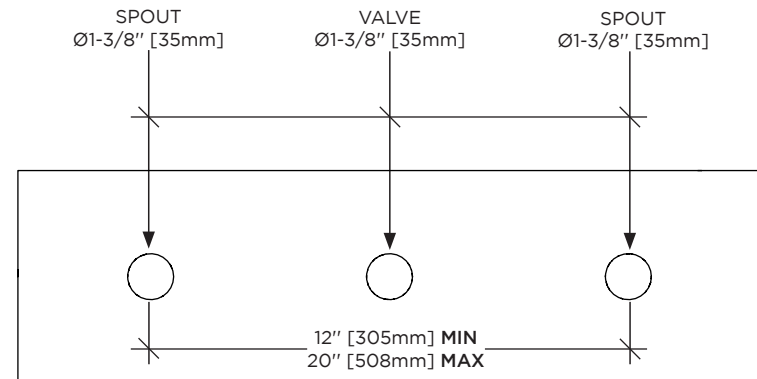
- To ensure this product is installed properly, you must read and follow these guidelines.
- The owner/user of this product must keep this information for future reference.
- This product must be installed by a professional licensed contractor.
- Be sure your installation conforms to all federal, state, and local codes. In the State of Massachusetts, all installations must comply with the rules and regulations set forth within 248 CMR.
- **CAUTION:** Flushing SUPPLY VALVES (sold separately) prior to installing the KITCHEN FAUCET is recommended. Flushing can prevent damage to the CARTRIDGE and other internal components.
- Inspect this product to ensure you have all the parts required for proper installation.
- Product is **sold partially** assembled but shown fully disassembled for illustrative and service purposes only.
- Use only a strap wrench or protected/smooth-jaw wrench on any finished surface.

- The use of certain plumber's putty may stain stone or tile surfaces.
- If further assistance is required, please contact Product Support at 1-800-927-2120 Monday through Friday, 8am - 6pm EST.
- Refer to the separate Service Parts Documents for available replacement parts.

#### TECHNICAL DETAILS:

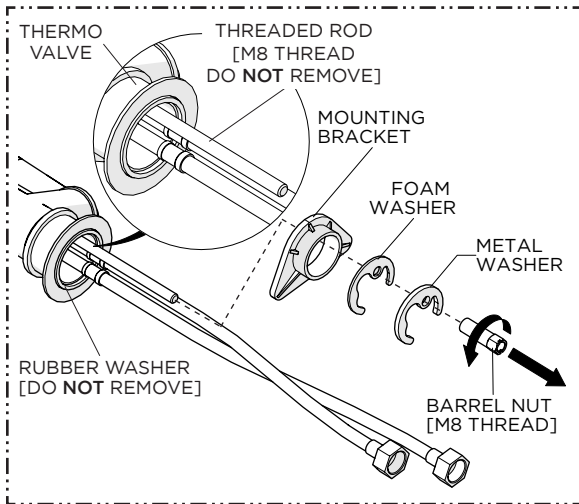
DETAIL	SPECIFICATION
DECK THICKNESS	1/4" [6mm] <b>MINIMUM</b>
	2-1/16" [52mm] <b>MAXIMUM</b>
FITTING HOLE DIAMETER	Ø1-3/8" [35mm]
ADJUSTABLE VERSUS FIXED SPRAY	ADJUSTABLE
SPOUT SWIVEL	YES
DECK HOLE SPREAD	6-8", 12" [152-203mm, 305mm]
SPOUT HOSE LENGTH	59" [1.5m]
HANDLE TURN ANGLE	QUARTER TURN
INLET CONNECTION	3/8" COMPRESSION CONNECTOR HOSES †
SPOUT REACH	10-15/16" [262mm]
WATER PRESSURE RANGE	20psi [1.5 bar] <b>MINIMUM</b>
	85psi [6.0 bar] <b>MAXIMUM</b>
WATER PRESSURE RECOMMENDED	45psi [3.0 bar]

† For **INTERNATIONAL USE ONLY**, two 9/16"-24 UNEF MALE x 3/8" FEMALE BSPP ADAPTERS (STYLE No. UNUK08) and RUBBER WASHERS are provided.



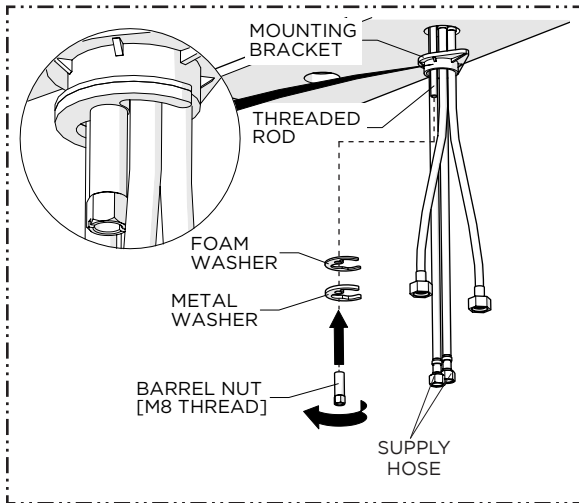
# INSTALLATION GUIDELINES

## GOOSENECK KITCHEN FAUCET

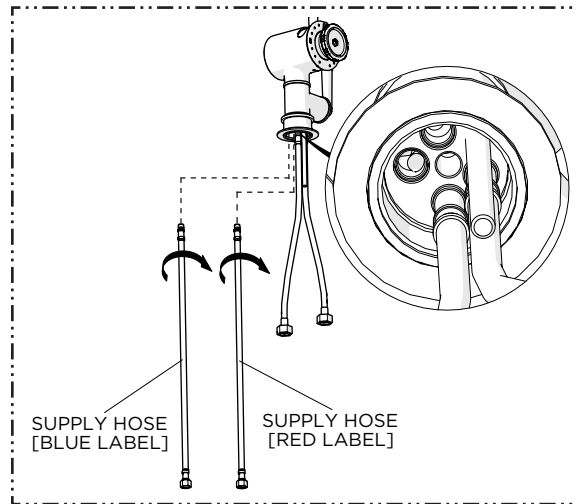


1. Unthread and remove the BARREL NUT from the THREADED ROD, then remove the METAL WASHER, FOAM WASHER, and MOUNTING BRACKET.

**NOTE:** Do **NOT** remove the THREADED ROD or RUBBER WASHER beneath the ESCUTCHEON.

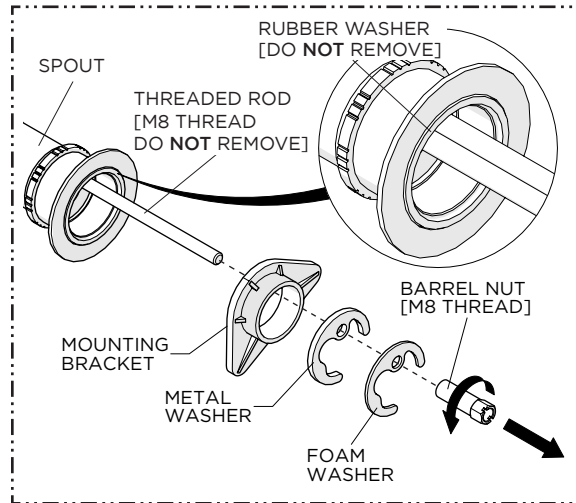


4. Slide the MOUNTING BRACKET over the HOSES and THREADED ROD. Place the METAL WASHER onto the THREADED ROD then thread and securely tighten the BARREL NUT onto the THREADED ROD.

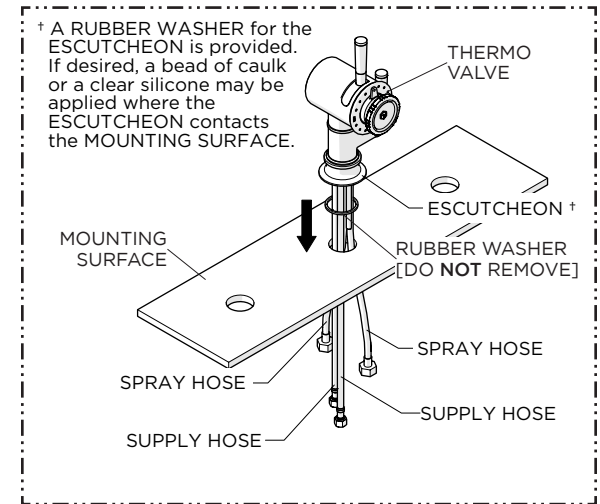


2. Thread and securely tighten the SUPPLY HOSES onto the SPOUT.

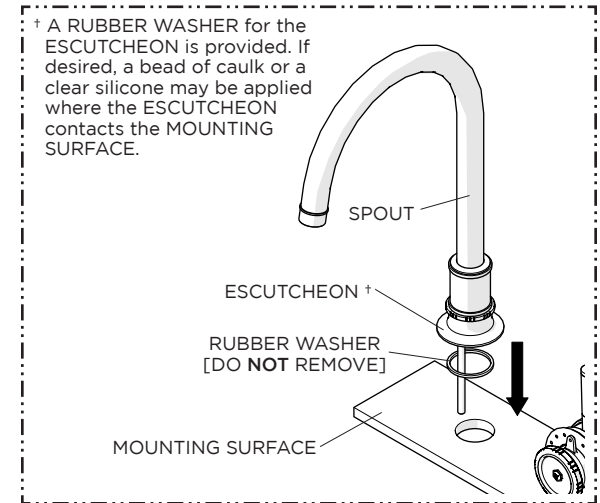
**NOTE:** The HOSES are M15 x 3/8" COMPRESSION CONNECTOR HOSES are marked BLUE for cold and RED for hot.



5. Insert the MALE END of the NYLON SPRAY HOSE through the bottom of the SPOUT until it protrudes from the end of the SPOUT.



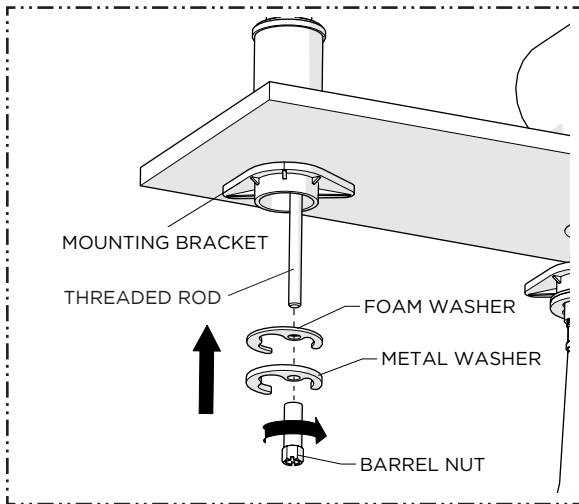
3. Insert the THERMO VALVE through the hole on the MOUNTING SURFACE making sure the RUBBER WASHER provided is beneath the ESCUTCHEON.



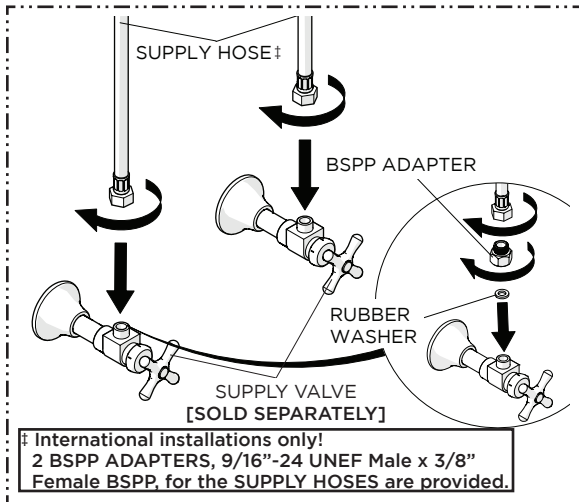
6. Insert the SPOUT through the hole on the MOUNTING SURFACE making sure the RUBBER WASHER provided is beneath the ESCUTCHEON.

# INSTALLATION GUIDELINES

## GOOSENECK KITCHEN FAUCET

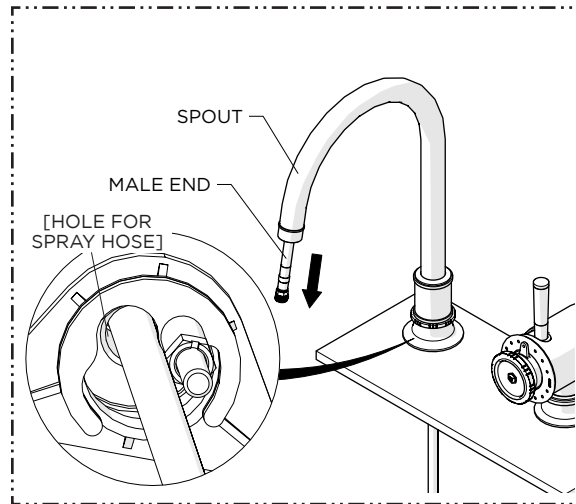


7. Slide the MOUNTING BRACKET over the HOSES and THREADED ROD. Place the METAL WASHER onto the THREADED ROD then thread and securely tighten the BARREL NUT onto the THREADED ROD.

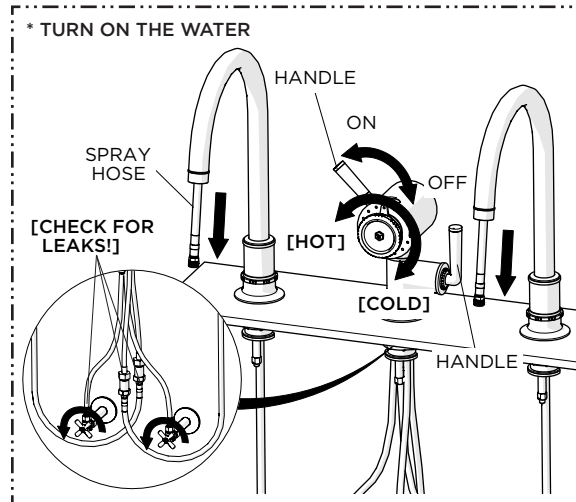


10. Connect the SUPPLY HOSES to the SUPPLY VALVES [sold separately].

**NOTE:** The HOSES are connected to SUPPLY TUBES that are marked BLUE for cold and RED for hot.



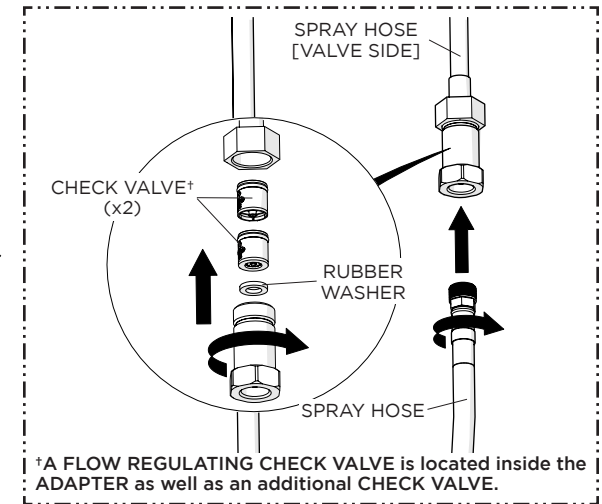
8. Insert the MALE END of the SPRAY HOSE through the bottom of the SPOUT HOLE until it protrudes from the end of the SPOUT.



11. Turn on the water and operate the HANDLE to ensure it functions properly and to flush out any debris in the SUPPLY LINES then check all connections for leaks, and turn off the water.

**CAUTION:** Flush out the SUPPLY LINES prior to installing the SPRAYER.

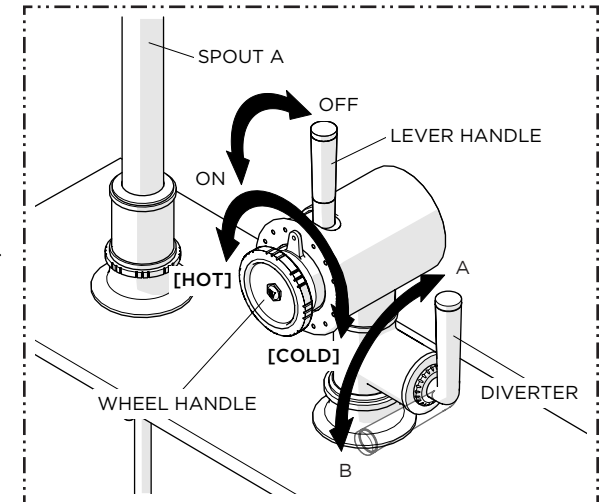
# WATERWORKS



\*A FLOW REGULATING CHECK VALVE is located inside the ADAPTER as well as an additional CHECK VALVE.

9. Thread and securely tighten the MALE END of the NYLON SPRAY HOSE to the SUPPLY HOSE using the ADAPTER provided.

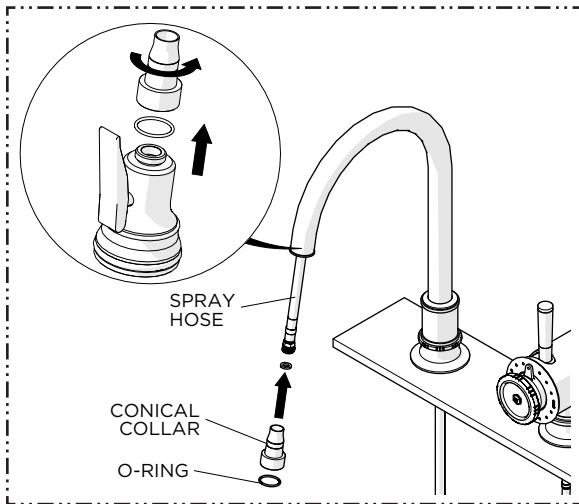
➤ REPEAT STEPS 5 THROUGH 9 TO INSTALL THE SECOND (2ND) SPOUT



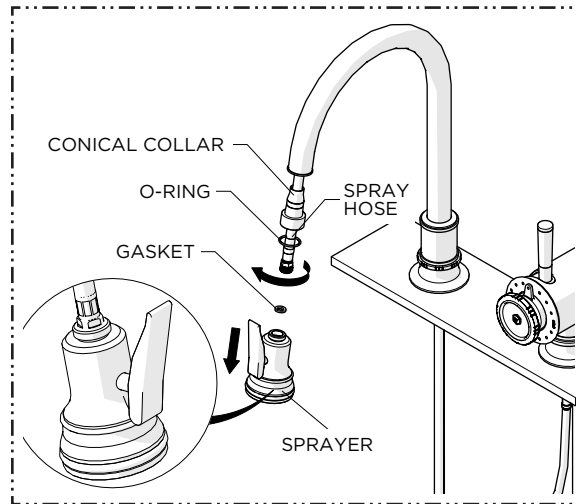
12. To turn on the water, rotate the upper LEVER HANDLE counterclockwise and set the temperature with the WHEEL HANDLE. The side diverter handle controls either faucet when vertical; turn it forward for SPOUT B or back to vertical for SPOUT A. To turn off, rotate the LEVER HANDLE clockwise to vertical position.

# INSTALLATION GUIDELINES

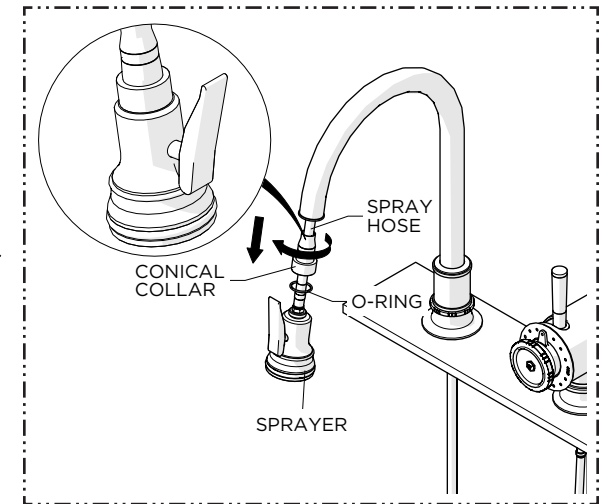
## GOOSENECK KITCHEN FAUCET



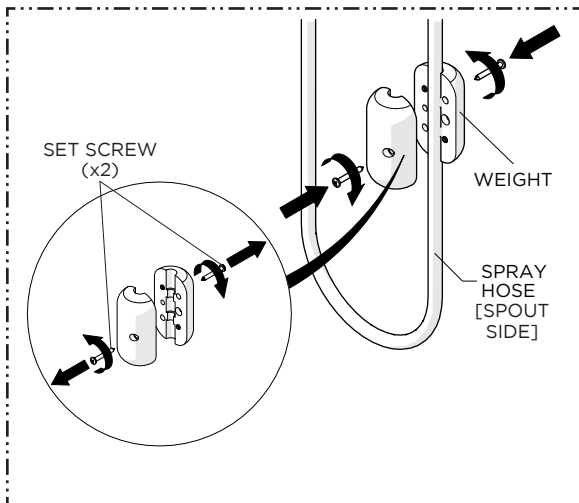
13. Unthread and remove the COLLAR from the top of the SPRAYER then slide the COLLAR over the SPRAY HOSE.



14. Thread and securely tighten the SPRAY HOSE into the SPRAYER using the GASKET provided.

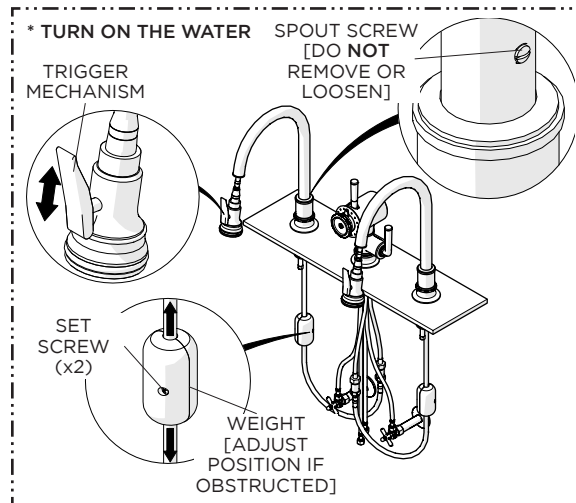


15. Thread and securely tighten the COLLAR back onto the SPRAYER.

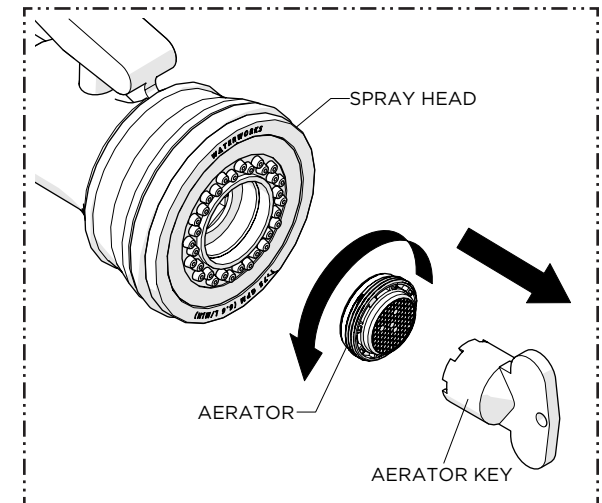


16. Loosen and remove the SCREWS on the WEIGHT using a Phillips head screwdriver, separate the two parts of the WEIGHT, place the WEIGHT around the SPRAY HOSE then tighten the SCREWS to secure the WEIGHT in the desired position.

➤ REPEAT STEPS 12-15 TO INSTALL THE 2ND SPOUT SPRAYER.



17. Turn on the water and operate the SPRAYER to ensure it functions properly. Ensure the WEIGHT can move freely beneath the cabinet and the SPOUT is able to swivel properly. Adjust the position of the WEIGHT if necessary.



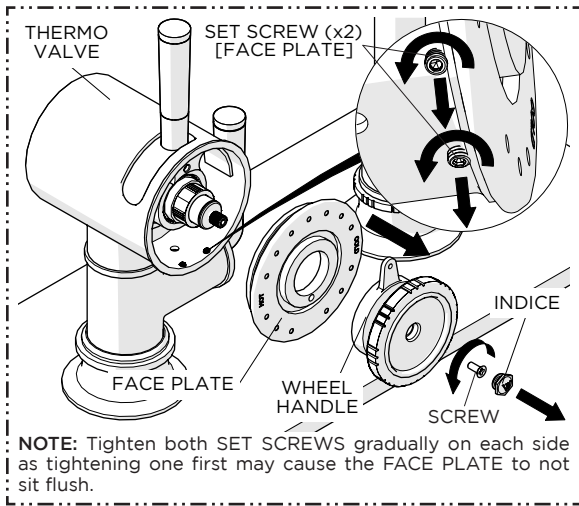
### SERVICING THE AERATOR:

1. Remove the AERATOR from the SPRAY HEAD using the provided tool, turn on the water supply to flush out the debris, inspect all connections for **leaks**, and then re-install the AERATOR using the provided tool.

# SERVICE GUIDELINES

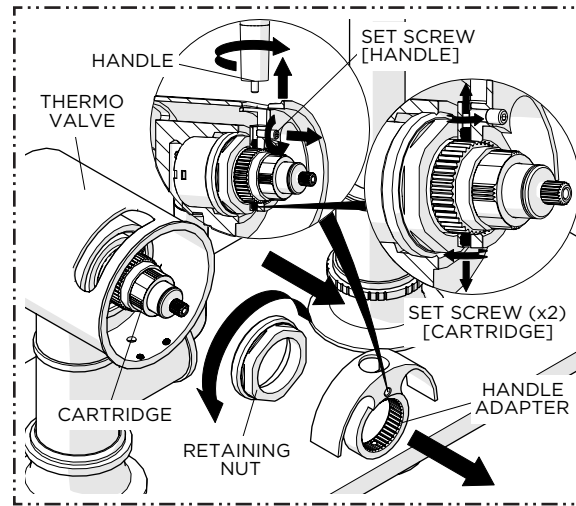
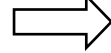
## GOOSENECK KITCHEN FAUCET

WATERWORKS

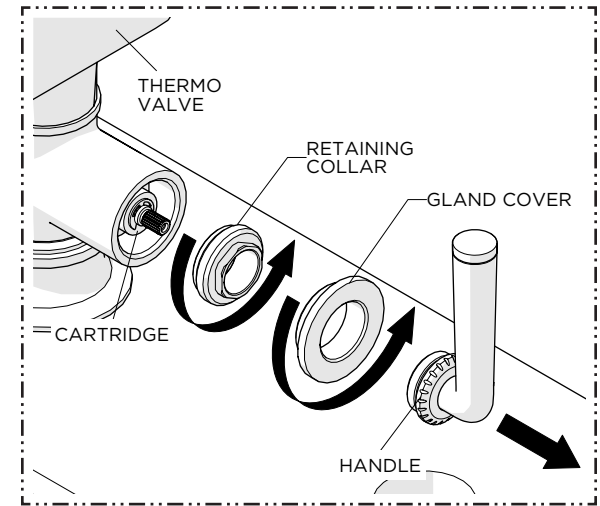
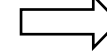


### SERVICING OF THE THERMO CARTRIDGE:

1. Pull off the INDICE unthread and remove the SCREW then remove the WHEEL HANDLE then loosen (do **NOT** remove) the SET SCREWS beneath the THERMO VALVE and remove the FACE PLATE.



2. Loosen (do **NOT** remove) the HANDLE SET SCREW and unthread the HANDLE from the THERMO VALVE body then loosen (do **NOT** remove) the CARTRIDGE SET SCREWS on both ends and pull off the HANDLE ADAPTER and unthread the RETAINING NUT to access the CARTRIDGE.



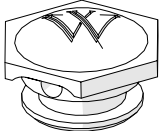
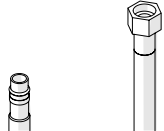



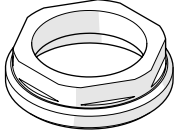

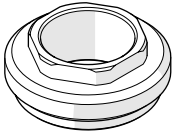
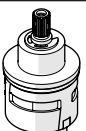
### SERVICING OF THE DIVERTER CARTRIDGE:

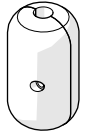
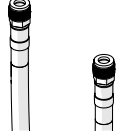

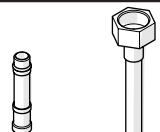
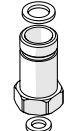


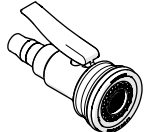
1. Remove the HANDLE, unthread and remove the GLAND COVER, unthread and remove the RETAINING COLLAR to access the CARTRIDGE.

# SERVICE GUIDELINES

## GOOSENECK KITCHEN FAUCET

### SERVICE PARTS:

	PART No.	DESCRIPTION
	CNU002	HEX INDICE
	100271	SUPPLY HOSE [M10 MALE x 3/8" COMPRESSION FEMALE (9/16-24 UNEF)]
	CNU003 (METAL) CNU004 (OAK)	ON/OFF LEVER HANDLE
	CLH011 (METAL) CLH014 (OAK)	DIVERTER LEVER HANDLE
	101100	SPOUT SLIP
	101101	RETAINING NUT FOR THERMO CARTRIDGE
	101102	THERMOSTATIC CARTRIDGE
	101103	RETAINING NUT FOR DIVERTER CARTRIDGE
	101104	DIVERTER CARTRIDGE

	PART No.	DESCRIPTION
	101115	WEIGHT
	100274	SPRAY HOSE [M15 MALE x M15 MALE]
	100275	MOUNTING HARDWARE
	100276	SUPPLY HOSE [M10 MALE x 1/2" FEMALE]
	100279	CHECK VALVE HOUSING
	103678	CHECK VALVE
	535592	FLOW REGULATING CHECK VALVE
	HNU036	SPRAY

# SERVICE GUIDELINES

## GOOSENECK KITCHEN FAUCET

# WATERWORKS

