

## Regulator

RGRHG1

Regulator Single Sided Glass Mounted Hook



SHOWN IN REGULATOR SINGLE SIDED GLASS MOUNTED HOOK | RGRHG1

### TECHNICAL DETAILS

---

### INSPIRATION

A play on industrial controls from the early 1900s, when pride was lavished on parts. Translated to handcrafted, fittings project rugged beauty through powerful, detailed shapes.

### CODES & STANDARDS

---

### PRODUCT FEATURES

Solid Brass Construction

Glass Mounted

Can accommodate glass thickness between 1/4" [6mm] to 3/4" [19mm]

Stocked in Nickel and Chrome

### CERTIFICATIONS

---

### PRODUCT (NOTES)

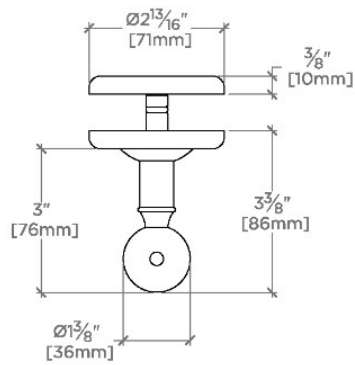
---

## Regulator

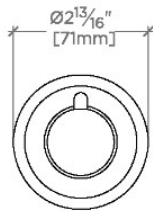
RGRHG1

Regulator Single Sided Glass Mounted Hook

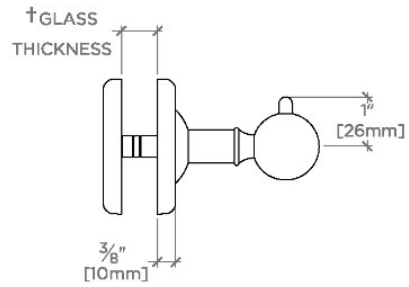
† THIS PRODUCT CAN BE INSTALLED ON GLASS THAT IS  
1/4" [6mm], 3/8" [10mm], 1/2" [13mm], OR 3/4" [19mm].



TOP VIEW SCALE: 3"=1'-0"



FRONT VIEW SCALE: 3"=1'-0"



SIDE VIEW SCALE: 3"=1'-0"