

Henry

HTH611

Henry Integrated Thermostatic and Dual Volume Control
Trim with Cross and Lever Handles



SHOWN IN HENRY INTEGRATED THERMOSTATIC AND DUAL VOLUME CONTROL TRIM WITH CROSS AND LEVER HANDLES | HTH611

INSPIRATION

Influenced by the connection of industry and art Henry easily transitions between modern, traditional, utilitarian and classic settings.

PRODUCT FEATURES

Cross and Lever Handles

TECHNICAL DETAILS

ADA Compliance: Yes
Integrated Diverter: Y
Number Of Holes: Three Hole
Primary Material: Brass

CODES & STANDARDS

ASME A112.18.1/CSA B125.1, State of MA

CERTIFICATIONS

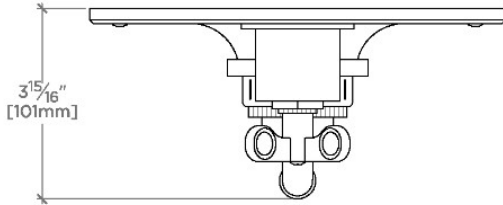


PRODUCT (NOTES)

Henry

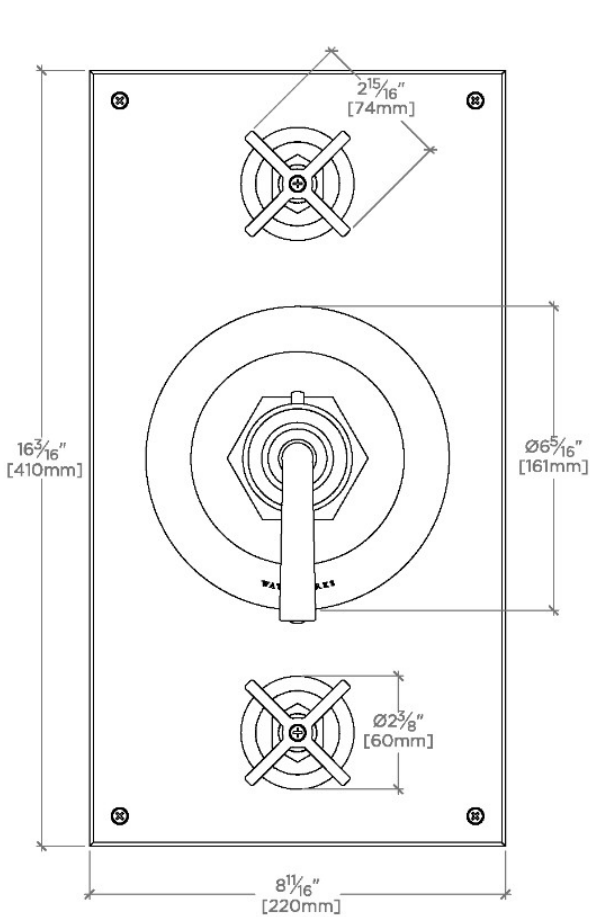
HTH611

Henry Integrated Thermostatic and Dual Volume Control Trim with Cross and Lever Handles



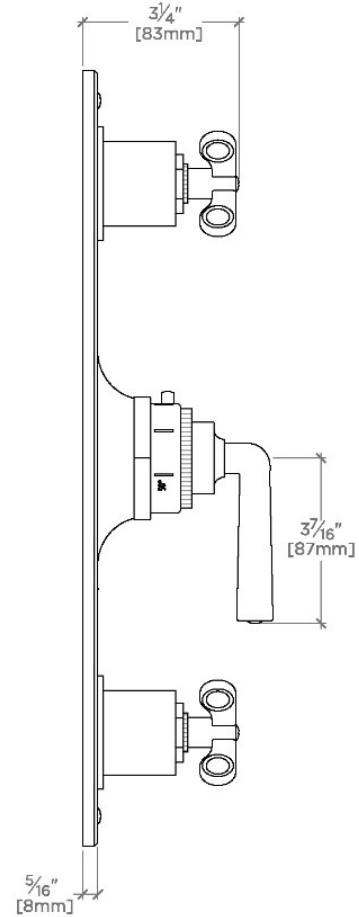
TOP VIEW

SCALE: 3"=1'-0"



FRONT VIEW

SCALE: 3"=1'-0"



SIDE VIEW

SCALE: 3"=1'-0"