

## Henry

HN70KM

Henry One Hole Gooseneck Integrated Pull Spray Kitchen Faucet with Lever Handle



SHOWN IN HENRY ONE HOLE GOOSENECK INTEGRATED PULL SPRAY KITCHEN FAUCET WITH LEVER HANDLE | HN70KM

### TECHNICAL DETAILS

Adjustable Versus Fixed Spray: Fixed Spray  
Deck Thickness Maximum: 83 mm  
Deck Thickness Minimum: 6 mm  
Depth/Width: 298 mm  
Escutcheon Primary Material: Brass  
Fittings Hole Diameter: 35 mm  
Flow Restriction Options: 2.0, 1.75, 1.5  
Handle Turn Angle: Quarter Turn Each Way  
Handshower Spray Hose Length: 1.2 m  
Height: 371 mm  
Inlet Connection Size: 3/8"  
Inlet Connection Type: Female G/BSPP  
Installation Type: Deck Mounted  
Integrated Diverter: Y  
Integrated Spray: Y  
Length: 298 mm  
Number Of Holes: One Hole  
Primary Material: Brass  
Restricted Maximum Flow Rate: 8.3 liters/min  
Spout Swivel: Y  
Spray Included In Unit: N  
Suggested Application: Bar, Kitchen, Laundry  
Valve Material: Ceramic  
Water Pressure Maximum: 6.0 bar  
Water Pressure Minimum: 2.0 bar  
Water Pressure Recommended: 3.0 bar

### INSPIRATION

Influenced by the connection of industry and art Henry easily transitions between modern, traditional, utilitarian and classic settings.

### CODES & STANDARDS

### PRODUCT FEATURES

### CERTIFICATIONS

### PRODUCT (NOTES)

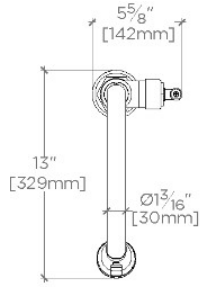
# WATERWORKS

## Henry

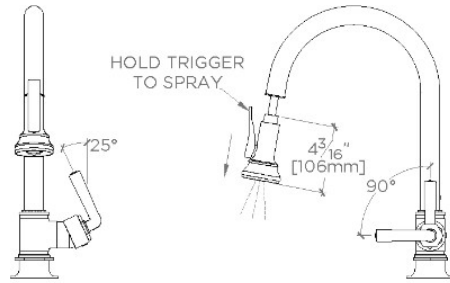
## HN70KM

Henry One Hole Gooseneck Integrated Pull Spray Kitchen Faucet with Lever Handle

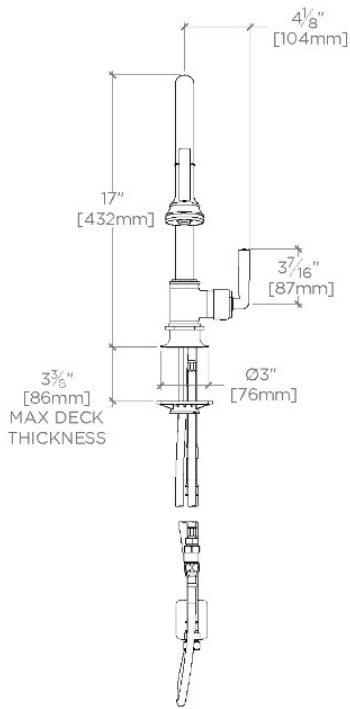
ADAPTER(S) PACKAGED SEPARATELY		
ADAPTER	DESCRIPTION	QTY
UNUK08	3/16"-24 UNEF Male x 3/8" Female BSP in Nickel	2



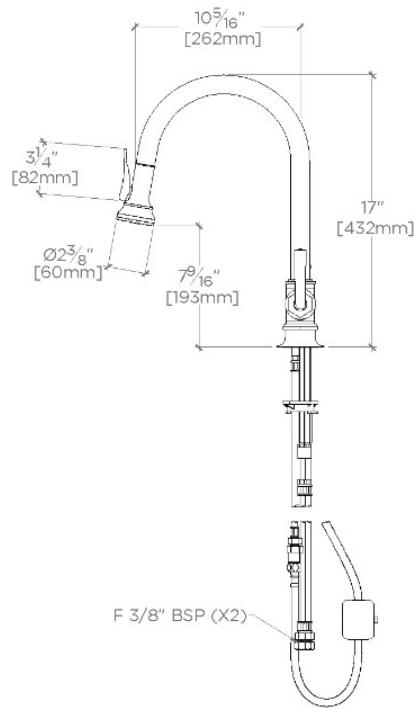
TOP VIEW SCALE: 1"=1'-0"



SPRAY AND HANDLE OPERATION VIEW SCALE: 1"=1'-0"



FRONT VIEW SCALE: 1"=1'-0"



SIDE VIEW SCALE: 1"=1'-0"

NOTE: RIGHT HAND INSTALLATION ONLY