

DECIBEL

DBLS60

Decibel Low Profile Three Hole Wall Mounted Lavatory Faucet with Metal Knob Handles and Valve



SHOWN IN DECIBEL LOW PROFILE THREE HOLE WALL MOUNTED LAVATORY FAUCET WITH METAL KNOB HANDLES AND

TECHNICAL DETAILS

ADA Compliance: Yes
Control Valve Rough-in Depth Maximum: 5 1/2"
Control Valve Rough-in Depth Minimum: 2 5/8"
Drain Assembly Materials: Brass
Drain Depth Maximum: 2"
Drain Hole Diameter: 1 1/2"
Drain Style: USA Push Touch
Escutcheon Primary Material: Brass
Fittings Hole Diameter: 1 3/8"
Flow Restriction Options: 1.0 , 1.2 , 1.5 , 1.75, 2.2
Handle Spread Maximum: 8"
Handle Spread Minimum: 8"
Handle Turn Angle: Quarter Turn
Drain Depth Minimum: 1 1/4"
Height: 2 5/8"
Inlet Connection Size: 1/2"
Inlet Connection Type: Female NPT
Inlet Supply Spread Maximum: 8"
Inlet Supply Spread Minimum: 8"
Length: 10 3/4"
Number of Holes: Three Hole
Primary Material: Brass
Restricted Maximum Flow Rate: 1.2 gpm
Valve Material: Brass, Ceramic
Water Pressure Maximum: 80.0 psi
Water Pressure Minimum: 20.0 psi
Water Pressure Recommended: 45.0 psi

INSPIRATION

Inspired by classic record players, Decibel gives all the sleekness of contemporary design, enhanced with special detailing.

PRODUCT FEATURES

Push touch USA style drain included.

This item is stocked in Chrome and Nickel finishes.

Knob Handles

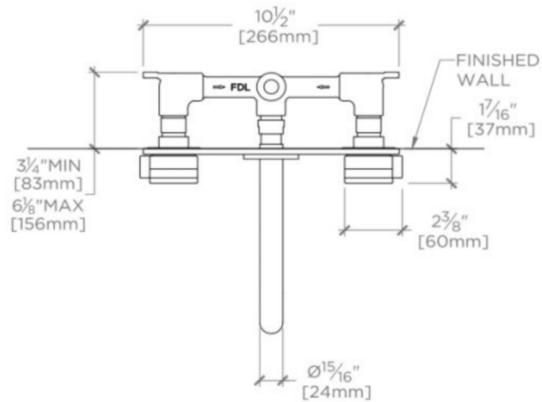
Standard flow rate is 1.2gpm (4.5 L/min) and meets State of California requirements. Also available in other flow options. Contact a sales associate for details.

WATERWORKS

DECIBEL

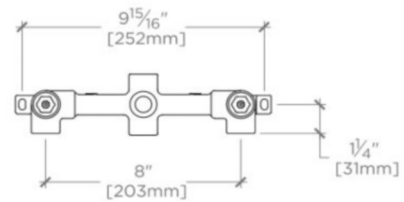
DBLS60

Decibel Low Profile Three Hole Wall Mounted Lavatory Faucet with Metal Knob Handles and Valve



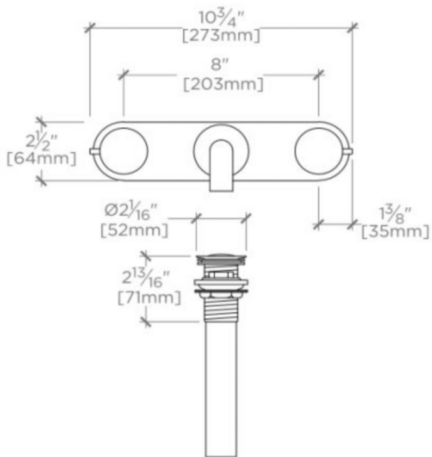
TOP VIEW

SCALE: 1/2"=1'-0"



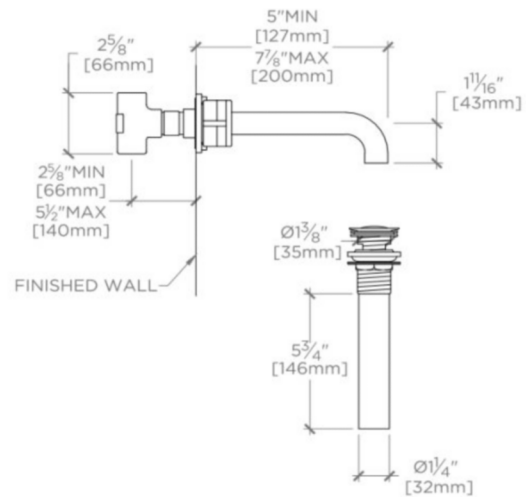
VALVE FRONT VIEW

SCALE: 1/2"=1'-0"



FRONT VIEW

SCALE: 1/2"=1'-0"



SIDE VIEW

SCALE: 1/2"=1'-0"