

HENRY

Henry One Hole High Profile Bar Faucet , Metal Cross Handle

HN40KM



SHOWN IN HENRY ONE HOLE HIGH PROFILE BAR FAUCET , METAL CROSS HANDLE| HNKM40

TECHNICAL DETAILS

Deck Thickness Maximum: 32 mm
Deck Thickness Minimum: 6 mm
Fittings Hole Diameter: 35 mm
Handle Turn Angle: Half Turn
Depth / Width: 183 mm
Height: 214 mm
Inlet Connection Size: 3/8"
Inlet Connection Type: Female BSPP
Length: 73 mm
Restricted Maximum Flow Rate: 8.3 liters/min
Spout Swivel: N
Water Pressure Maximum: 5.5 bar
Water Pressure Minimum: 1.5 bar
Water Pressure Recommended: 3.0 bar

INSPIRATION

Influenced by the connection of industry and art Henry easily transitions between modern, traditional, utilitarian and classic settings.

PRODUCT FEATURES

Progressive Control. When the cross handle is rotated the flow of cold water begins; continue rotating activates the mixing by adding hot water; at the end of the rotation, only hot water flows. Full rotation is a quarter turn
Standard flow rate is 2.2gpm (8.3 L/min). Also available in high efficient flow options. Contact your sales associate or call 1 (800) 899-6757 for details.

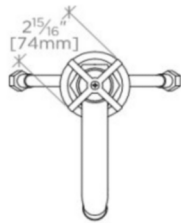
WATERWORKS

HENRY

HN40KM

Henry One Hole High Profile Bar Faucet , Metal Cross Handle

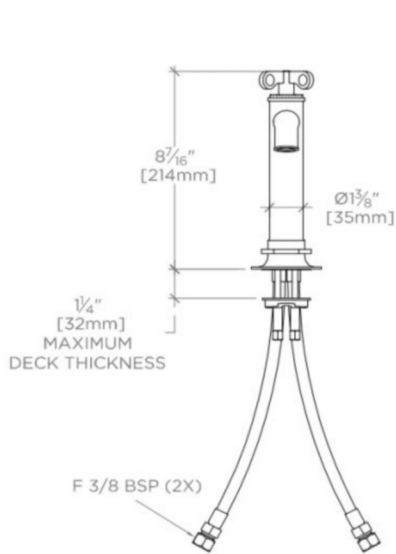
ADAPTER(S) PACKAGED SEPARATELY		
ADAPTER	DESCRIPTION	QTY
UNUK08	9/16-24 UNEF Male x 3/8" Female BSP in Nickel	2



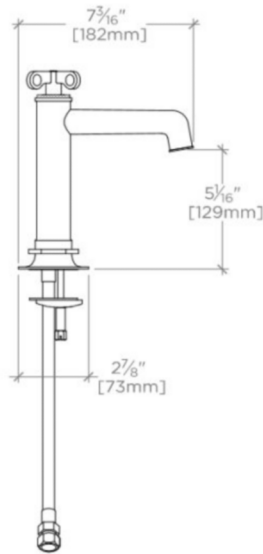
TOP VIEW SCALE: 1 1/2"=1'-0"



ISO VIEW SCALE: 1 1/2"=1'-0"



FRONT VIEW SCALE: 1 1/2"=1'-0"



SIDE VIEW SCALE: 1 1/2"=1'-0"