

## R.W. Atlas

RWTH10

R.W. Atlas Thermostatic Control Valve Trim with Metal Lever Handle



SHOWN IN R.W. ATLAS THERMOSTATIC CONTROL VALVE TRIM WITH METAL LEVER HANDLE | RWTH10

### TECHNICAL DETAILS

ADA Compliance: Yes  
 Depth/Width: 98 mm  
 Fittings Hole Diameter: 133 mm  
 Height: 160 mm  
 Integrated Diverter: N  
 Integrated Spray: N  
 Length: 171 mm  
 Number Of Handles: One  
 Pivot: N  
 Primary Material: Brass  
 Spout Swivel: N  
 Spray Included In Unit: N  
 Suggested Application: Bath

### INSPIRATION

Powerful shapes, genuine materials and unique aesthetic details. The original, impeccable vision of R.W. Atlas pairs American ingenuity with European craftsmanship.

### CODES & STANDARDS

ASME A112.18.1/CSA B125.1, State of MA

### PRODUCT FEATURES

Features knurled detail on the handle.

Features knurled detail on the handle.

Offers a temperature limit stop with override button.

Meets ADA requirements.

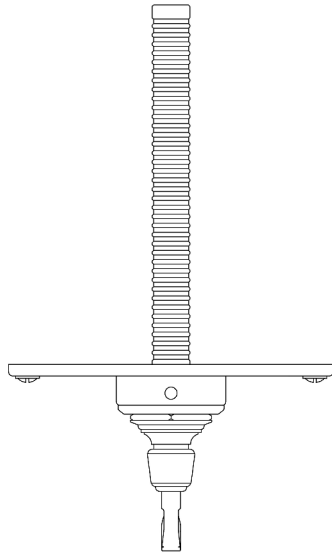
### CERTIFICATIONS



### PRODUCT (NOTES)

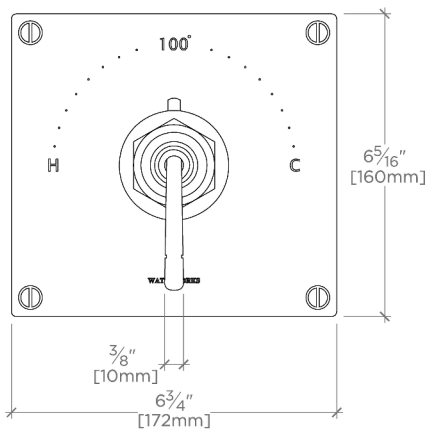
Requires 3/4" Universal Thermostatic Valve:  
26-42456-04860.

R.W. Atlas Thermostatic Control Valve Trim with Metal Lever Handle



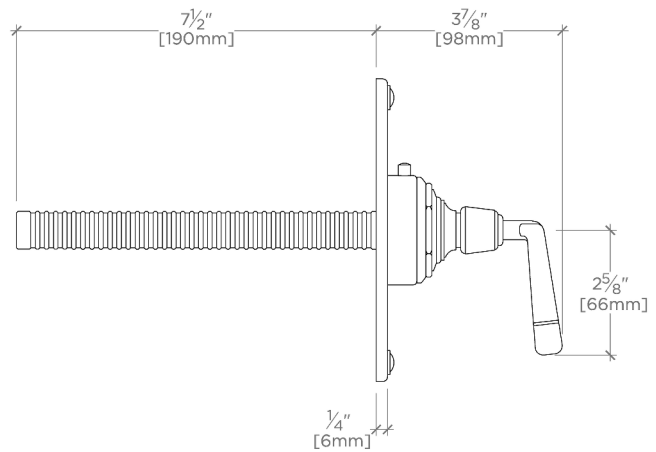
TOP VIEW

SCALE: 3"=1'-0"



FRONT VIEW

SCALE: 3"=1'-0"



SIDE VIEW

SCALE: 3"=1'-0"