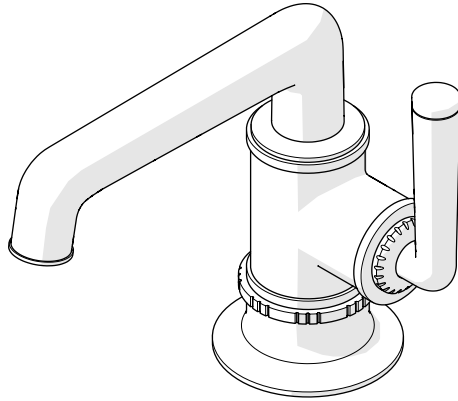


INSTALLATION GUIDELINES

LOW PROFILE BAR FAUCET

HENRY CHRONOS LOW PROFILE BAR FAUCET WITH HANDLE



STYLES		
CKM811	CKM814 [SHOWN]	CKM815

IMPORTANT:

- To ensure this product is installed properly, you must read and follow these guidelines.
- The owner/user of this product must keep this information for future reference.
- This product must be installed by a professional licensed contractor.
- Be sure your installation conforms to all federal, state, and local codes. In the State of Massachusetts, all installations must comply with the rules and regulations set forth within 248 CMR.
- Inspect this product to ensure you have all the parts required for proper installation.
- This product is **sold partially** assembled but shown fully disassembled for illustrative and service purposes only.

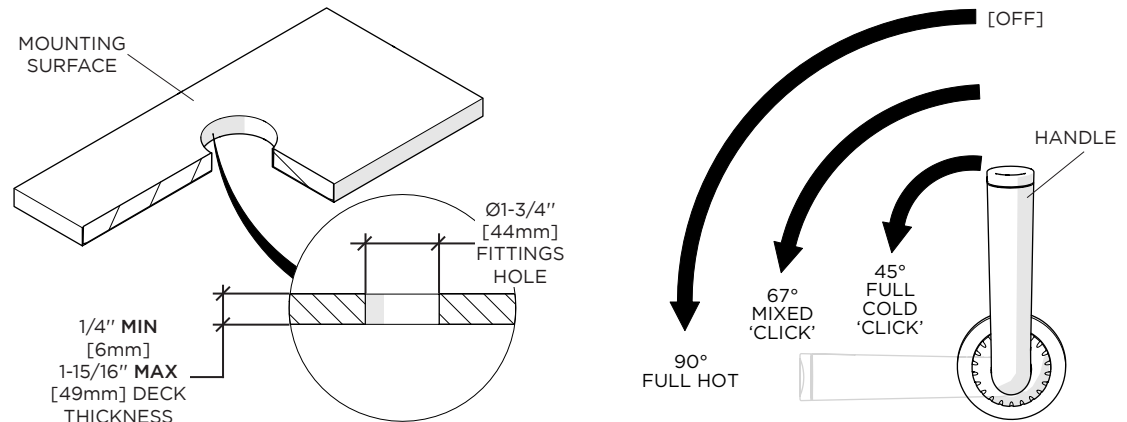
CAUTION:

- Flushing the SUPPLY VALVES (**sold separately**) prior to installing the BAR FAUCET is recommended. Flushing can prevent damage to the CARTRIDGE and other internal components.
- Use only a strap wrench or protected/smooth-jaw wrench on any finished surface.
- The use of certain plumber's putty may stain stone or tile surfaces.
- If further assistance is required, please contact Product Support at 1-800-927-2120 Monday through Friday, 8am - 6pm EST.

TECHNICAL DETAILS:

DETAIL	SPECIFICATION
DECK THICKNESS	1/4" [6mm] MINIMUM
	1-15/16" [49mm] MAXIMUM
FITTINGS HOLE DIAMETER	Ø1-3/4" [44mm]
INLET CONNECTION	3/8" COMPRESSION CONNECTOR HOSES [†]
SPOUT REACH	5-13/16" [148mm]
SPOUT SWIVEL	NO
WATER PRESSURE	20psi [1.5 bar] MINIMUM
	85psi [6.0 bar] MAXIMUM
WATER PRESSURE RECOMMENDED	45psi [3.0 bar]

[†] For **INTERNATIONAL USE ONLY**, two 9/16"-24 UNEF MALE x 3/8" FEMALE BSPP ADAPTERS and RUBBER WASHERS are provided.



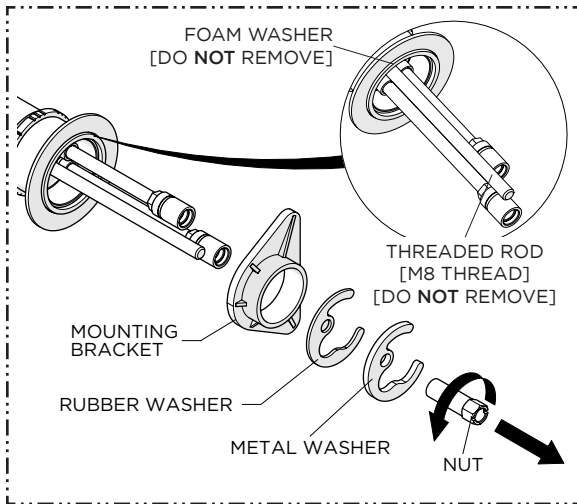
HANDLE OPERATION:

- This product is equipped with a PROGRESSIVE MIXING CARTRIDGE which incorporates tactile feedback.
 - The user will feel slight haptic bumps as they operate the HANDLE.
 - These bumps indicate when the CARTRIDGE is at full cold and warm water temperatures.
- The HANDLE rotates a 1/4 turn counterclockwise through cold, warm, and hot water temperatures as shown above.

INSTALLATION GUIDELINES

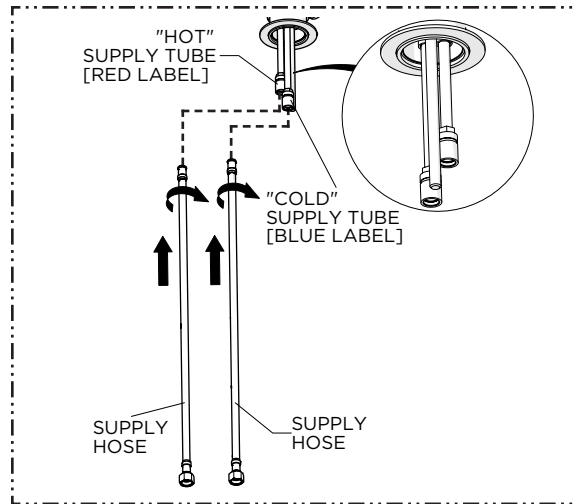
LOW PROFILE BAR FAUCET

WATERWORKS



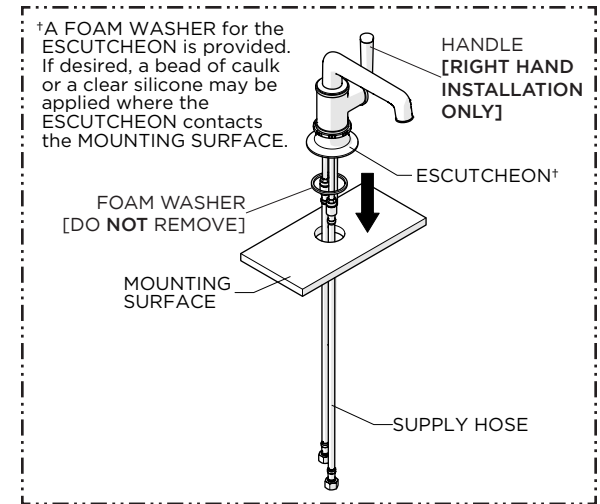
1. Remove the BARREL NUT, METAL WASHER, RUBBER WASHER and MOUNTING BRACKET from the THREADED ROD.

NOTE: Do **NOT** remove the THREADED ROD or FOAM WASHER beneath the ESCUTCHEON.

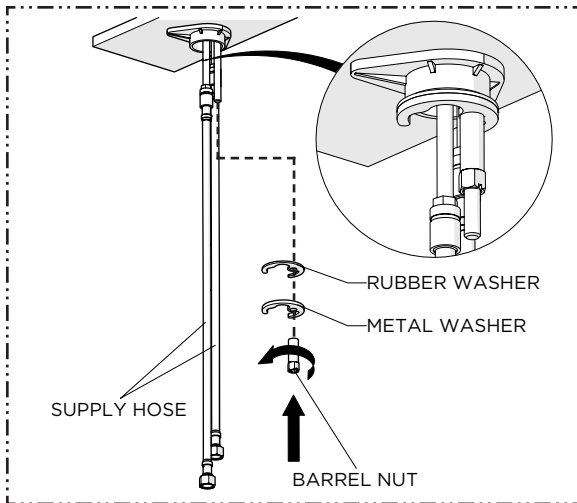


2. Thread and securely tighten the SUPPLY HOSES into the SUPPLY TUBES on the SPOUT.

NOTE: The HOSES are M8 x 3/8" COMPRESSION CONNECTOR HOSES and the TUBES are marked BLUE for cold and RED for hot.

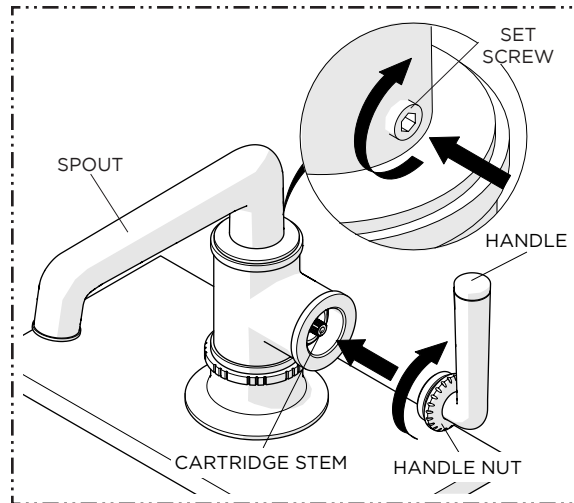


3. Insert the SUPPLY HOSES through the hole on the MOUNTING SURFACE making sure the FOAM WASHER provided is beneath the ESCUTCHEON.

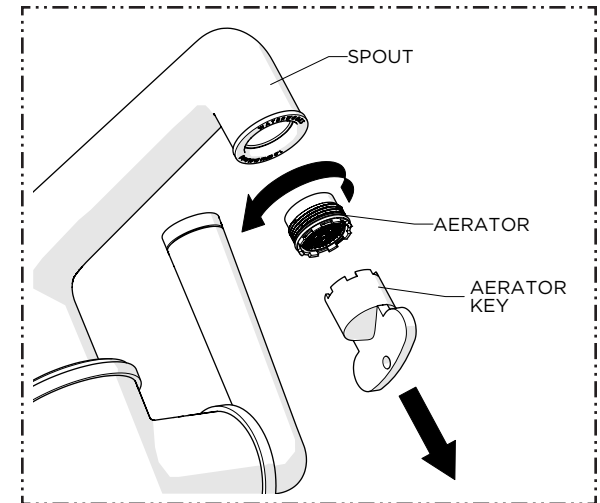


4. Slide the RUBBER and METAL WASHERS back onto the THREADED ROD then thread and securely tighten the BARREL NUT onto the ROD.

NOTE: Ensure the WASHERS fit properly around the TUBES and HOSES.



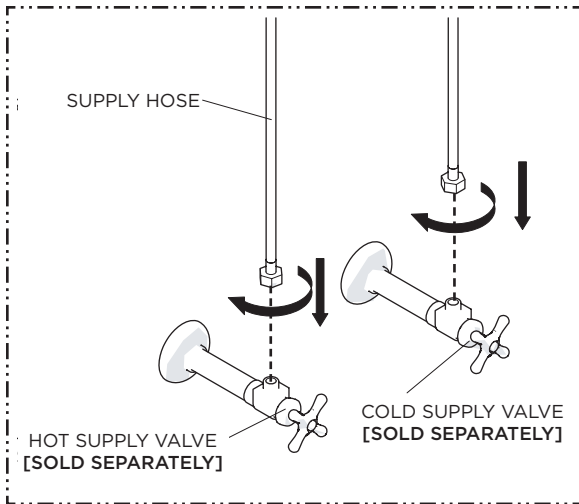
5. With the HANDLE held vertically, thread the HANDLE NUT onto the RETAINING COLLAR until snug. Position the SPOUT and secure the position of the SPOUT using SET SCREW.



6. Remove the AERATOR from the SPOUT using the AERATOR KEY provided.

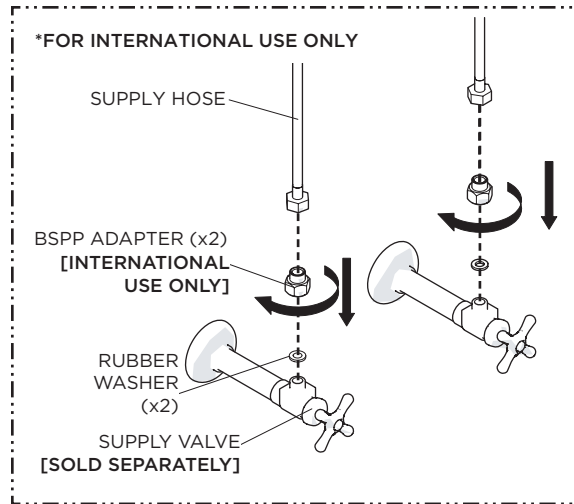
INSTALLATION GUIDELINES

LOW PROFILE BAR FAUCET



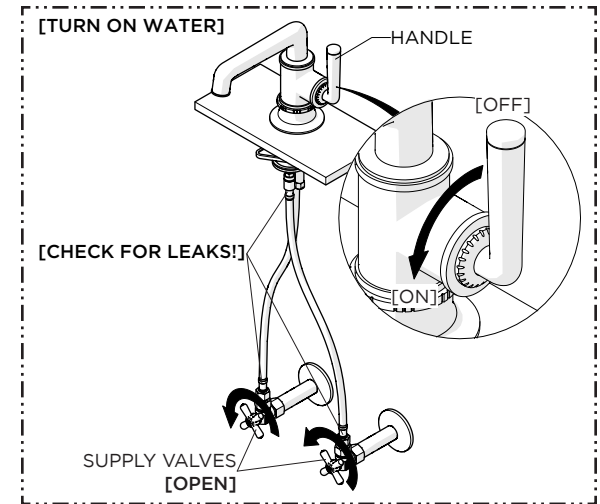
7. Connect the SUPPLY HOSES to the SUPPLY VALVES [SOLD SEPARATELY].

NOTE: The HOSES are connected to SUPPLY TUBES that are marked BLUE for COLD and RED for HOT.



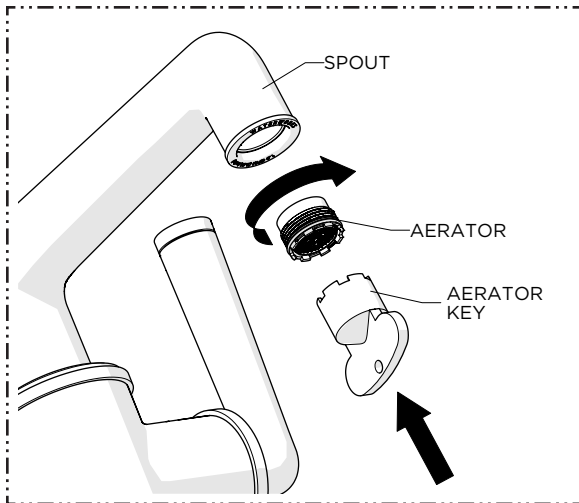
FOR INTERNATIONAL INSTALLATIONS ONLY:

8. Using the RUBBER WASHERS provided, thread and securely tighten the BSPP ADAPTERS onto the SUPPLY VALVES then thread and securely tighten the SUPPLY HOSES onto the ADAPTERS.

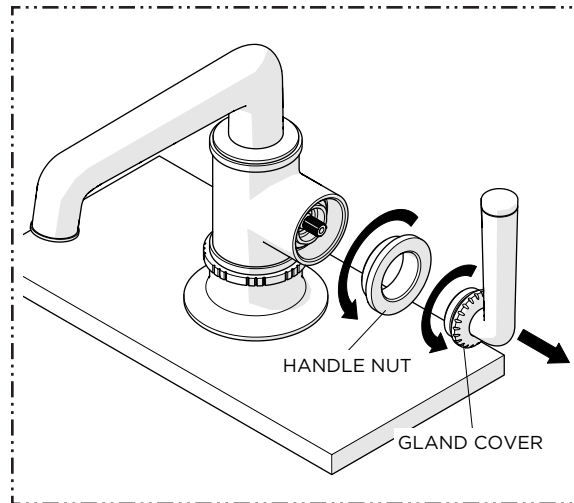


9. Turn on the water supply to flush out the SUPPLY LINES and inspect all connections for leaks.

NOTE: Flushing the SUPPLY VALVES prior to installing the CARTRIDGE is recommended to avoid damaging the CARTRIDGE.

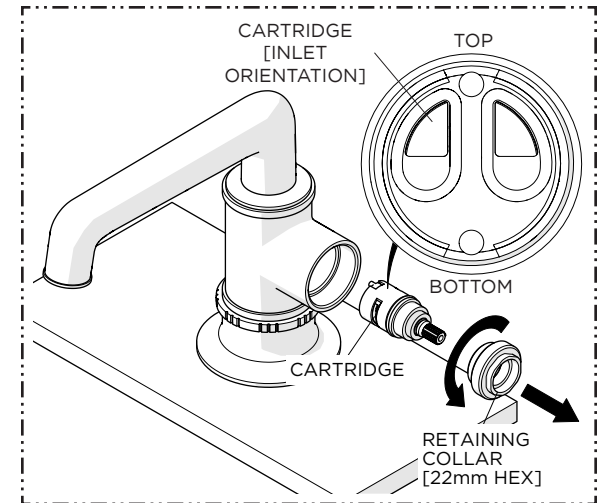


10. Re-install the AERATOR using the tool provided.



SERVICING THE CARTRIDGE:

1. Unthread the GLAND COVER and then remove the HANDLE, and unthread the HANDLE NUT and pull it off.



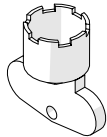

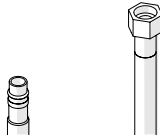
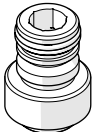

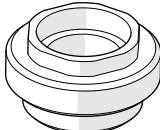

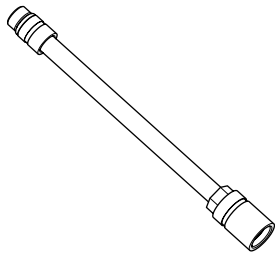
2. Unthread and remove the RETAINING COLLAR then pull the CARTRIDGE out.


NOTE: Replacing the RETAINING COLLAR requires a torque of 11 ft-lb [15N•m]. Exceeding this torque will damage the CARTRIDGE.

SERVICE GUIDELINES

LOW PROFILE BAR FAUCET

SERVICE PARTS:

	PART No.	DESCRIPTION
	999191	AERATOR KEY
	101107	AERATOR
	100271	SUPPLY HOSE [M10 MALE x 3/8" COMPRESSION FEMALE (9/16-24 UNEF)]
	101108	SPOUT SLIP
	100597	CARTRIDGE
	100266	RETAINING NUT
	100275	MOUNTING HARDWARE
	100282	4-1/2" SUPPLY TUBE [M10 M x M10 F]
	100283	5-3/4" SUPPLY TUBE [M10 M x M10 F]

	PART No.	DESCRIPTION
	CLH011 (METAL) CLH014 (OAK)	LEVER HANDLE

SERVICE GUIDELINES

LOW PROFILE BAR FAUCET

