

Regulator

RGXT21

Regulator Exposed Wall Mounted Tub Filler with Handshower and Wheel Handles



SHOWN IN REGULATOR EXPOSED WALL MOUNTED TUB FILLER WITH HANDSHOWER AND WHEEL HANDLES | RGXT21

TECHNICAL DETAILS

ADA Compliance: No
 Adjustable Versus Fixed Spray: Fixed
 Depth/Width: 300 mm
 Fittings Hole Diameter: 35 mm
 Flow Restriction Options: 2.5, 2.0, 1.75, 1.5, 0.92
 Handle Turn Angle: Quarter Turn
 Handshower Spray Hose Length: 1.5 m
 Height: 305 mm
 Inlet Connection Size: 3/4"
 Inlet Connection Type: Compression
 Inlet Supply Spread Maximum: 203 mm
 Inlet Supply Spread Minimum: 203 mm
 Integrated Diverter: Y
 Integrated Spray: Y
 Length: 314 mm
 Primary Material: Brass
 Restricted Maximum Flow Rate: 6.6 liters/min
 Suggested Application: Bath
 Water Pressure Maximum: 6.0 bar
 Water Pressure Minimum: 1.5 bar
 Water Pressure Recommended: 3.0 bar

INSPIRATION

With striking scale and unique design, Regulator commands attention through its tribute to early 20th-century boiler room controls, when pride was lavished on hard-built parts. Each handcrafted fitting brings dramatic beauty through powerful proportions and honest details.

CODES & STANDARDS

RGXT21-F.RX, ASME A112.18.1/CSA B125.1, Waterworks Handshowers use check valves compliant to ASME A112.18.3 for backflow protection. CEC, State of MA, NOM-012

PRODUCT FEATURES

Wheel Handles

Handshower Offers a Fixed Spray Pattern

Stocked in Nickel and Brass

Unrestricted Flow for Tub Spout. Handshower Available in 1.75gpm (4.5L/min) Flow Rate

CERTIFICATIONS

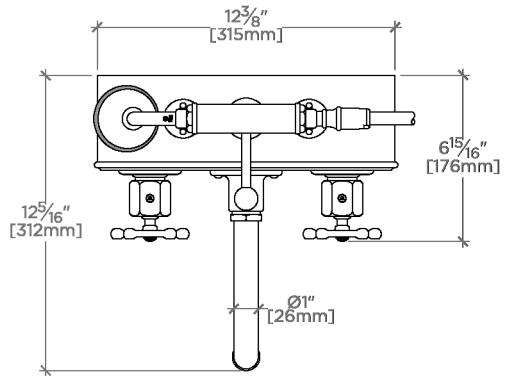


PRODUCT (NOTES)

Regulator

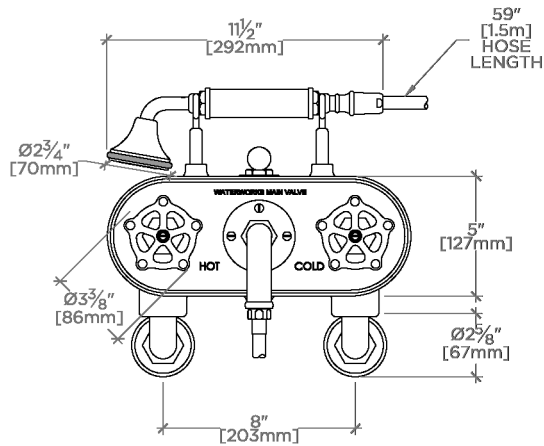
RGXT21

Regulator Exposed Wall Mounted Tub Filler with Handshower and Wheel Handles



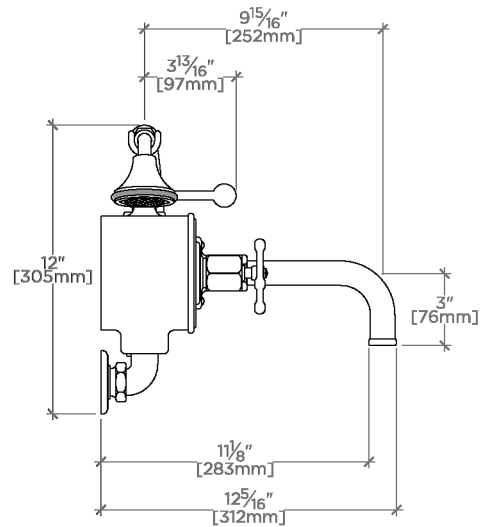
TOP VIEW

SCALE: 1/2"=1'-0"



FRONT VIEW

SCALE: 1/2"=1'-0"



SIDE VIEW

SCALE: 1/2"=1'-0"