

## Bond

BLS25C

Bond Union Series Gooseneck Lavatory Faucet with Guilloche Link Knob Handles



SHOWN IN BOND UNION SERIES GOOSENECK LAVATORY FAUCET WITH GUILLOCHE LINK KNOB HANDLES | BLS25C

### TECHNICAL DETAILS

ADA Compliance: Yes  
 Deck Thickness Maximum: 43 mm  
 Deck Thickness Minimum: 6 mm  
 Drain Depth Maximum: 67 mm  
 Drain Depth Minimum: 10 mm  
 Drain Hole Diameter: 44 mm  
 Drain Style: Push Touch  
 Fittings Hole Diameter: 35 mm  
 Flow Restriction Options: 1.2  
 Handle Spread Maximum: 305 mm  
 Handle Spread Minimum: 203 mm  
 Handle Turn Angle: Quarter Turn  
 Inlet Connection Size: 1/2"  
 Inlet Connection Type: Male with Supply Nut  
 Number Of Holes: Three Hole  
 Primary Material: Brass  
 Restricted Maximum Flow Rate: 4.5 liters/min  
 Spout Swivel: N  
 Valve Material: Ceramic  
 Water Pressure Maximum: 6.0 bar  
 Water Pressure Minimum: 1.5 bar  
 Water Pressure Recommended: 3.0 bar

### INSPIRATION

Modern designs infused with rare soul and artistry. Explore our wide range of Bond bath and kitchen elements, from fittings to fixtures to hardware.

### CODES & STANDARDS

BLS25CX, NSF/ANSI/CAN 61:Q < 1, NSF/ANSI/CAN 372, ASME A112.18.1/CSA B125.1, CEC

### PRODUCT FEATURES

Knob Handles

Includes European size push touch drain

Features Guilloche Lines combined with Enamel Knob Handles

Stocked in Nickel and Brass

Available in 1.2gpm (4.5L/min) flow rate

### CERTIFICATIONS

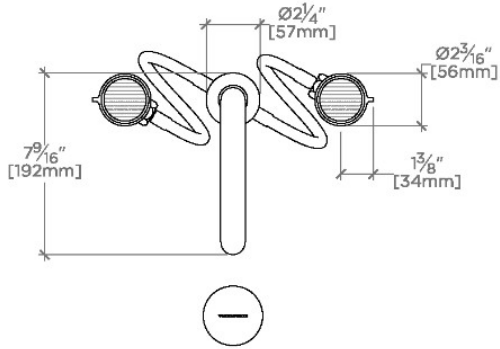


### PRODUCT (NOTES)

## Bond

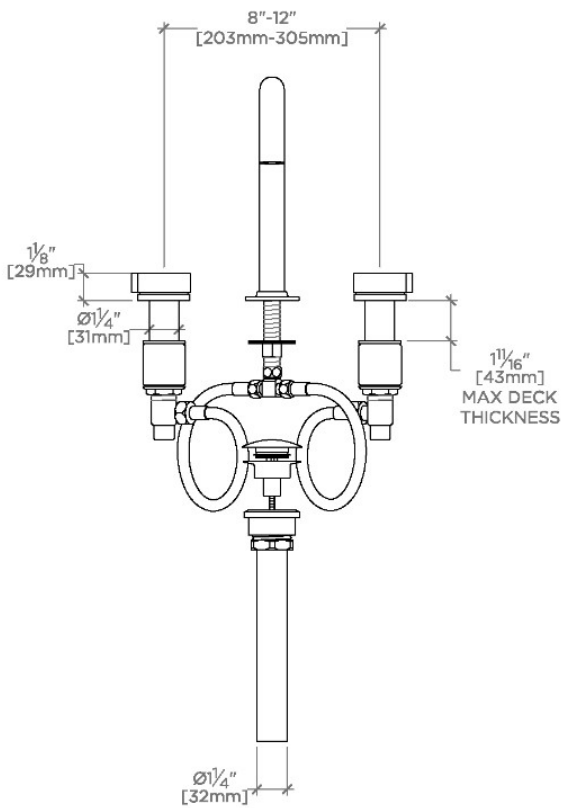
BLS25C

Bond Union Series Gooseneck Lavatory Faucet with  
Guilloche Link Knob Handles



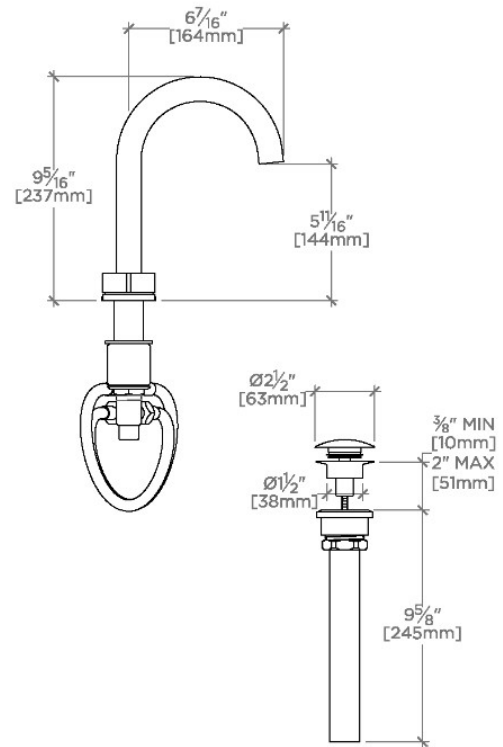
TOP VIEW

SCALE:  $1\frac{1}{2}"=1'-0"$



FRONT VIEW

SCALE:  $1\frac{1}{2}"=1'-0"$



SIDE VIEW

SCALE:  $1\frac{1}{2}"=1'-0"$