

## AMELIE

## AM09TF

Amelie High Profile Concealed Tub Filler with Handshower and Metal Cross Handles



SHOWN IN AMELIE EXPOSED TUB FILLER WITH HANDSHOWER AND CROSS HANDLES| AMXT05

### TECHNICAL DETAILS

ADA Compliance: No  
 Adjustable versus Fixed Spray: Fixed Spray  
 Deck Thickness Maximum: 38 mm  
 Deck Thickness Minimum: 0 mm  
 Diameter of Head: 76 mm  
 Escutcheon Primary Material: Brass  
 Fittings Hole Diameter: 35 mm  
 Flow Restriction Options: 2.0, 1.75, 1.5, 0.92  
 Handle Spread Maximum: 305 mm  
 Handle Spread Minimum: 254 mm  
 Handle Turn Angle: Quarter Turn  
 Handshower / Spray Hose Length: 2.0 m  
 Index Color / Finish and Material: White Porcelain  
 Depth / Width: 292 mm  
 Height: 254 mm  
 Index Marking: Hot/Cold  
 Inlet Connection Size: 3/4"  
 Inlet Connection Type: Male G/BSPP  
 Inlet Supply Spread Maximum: 305 mm  
 Inlet Supply Spread Minimum: 254 mm  
 Installation Type: Deck Mounted  
 Integrated Diverter: N  
 Length: 438 mm  
 Number of Handles: Two  
 Number of Holes: Four Hole  
 Pivot: N  
 Primary Material: Brass  
 Restricted Maximum Flow Rate: 9.5 liters/min  
 Spout Reach: 9 1/4"  
 Spout Swivel: N  
 Suggested Application: Bath  
 Valve Material: Ceramic  
 Water Pressure Maximum: 5.5 bar  
 Water Pressure Minimum: 1.5 bar  
 Water Pressure Recommended: 3.0 bar

### INSPIRATION

The ultimate in decorative, luxurious fittings with no apologies for its lack of restraint. Amelie offers curves, moldings and detailing combined to create an over-the-top effect which is luxurious, Old World and elegant.

### PRODUCT FEATURES

Brass material is used for all trim and valve component parts.

The manufacturing process encompasses casting, turning, forging, hand-fitting and hand polishing.

The five spoke cross handle is reminiscent of rudder rods from old sailing ships.

Standard flow rate is 2.5gpm for handshower only. Also available in high efficiency flow options.

Contact your sales associate or call 1 (800) 899-6757 for details.

### CODES & STANDARDS

Code # : ASME A112.18.1, CSA B125, IAPMO, State of MA

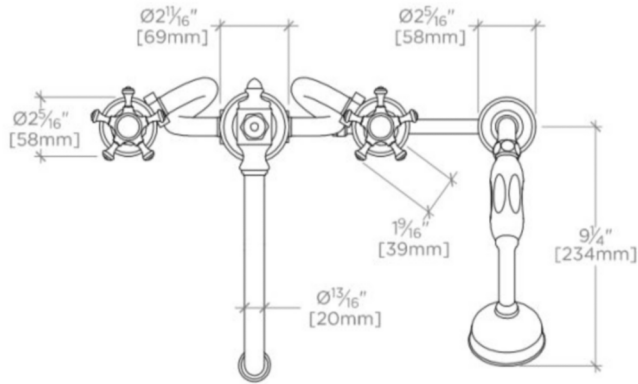
# WATERWORKS

## AMELIE

## AM09TF

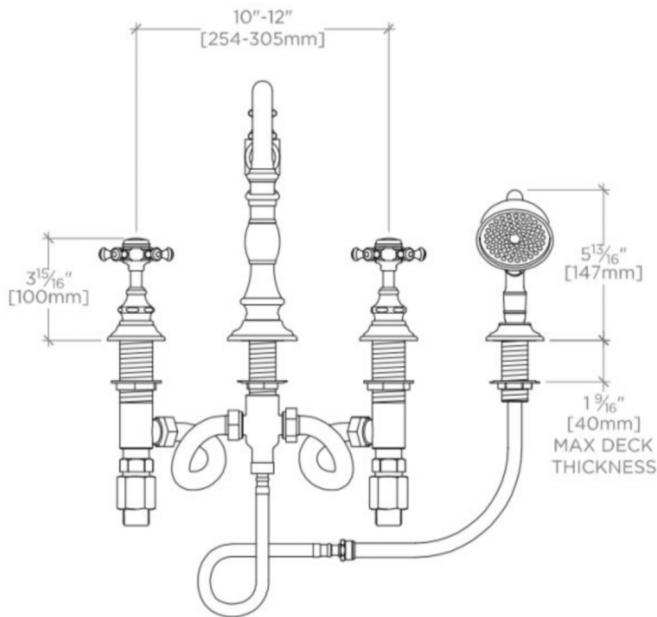
Amelie High Profile Concealed Tub Filler with Handshower and Metal Cross Handles

ADAPTER(S) PACKAGED SEPARATELY		
ADAPTER	DESCRIPTION	QTY
UNUK05	3/4" NPT Female x 3/4" Male BSP	2



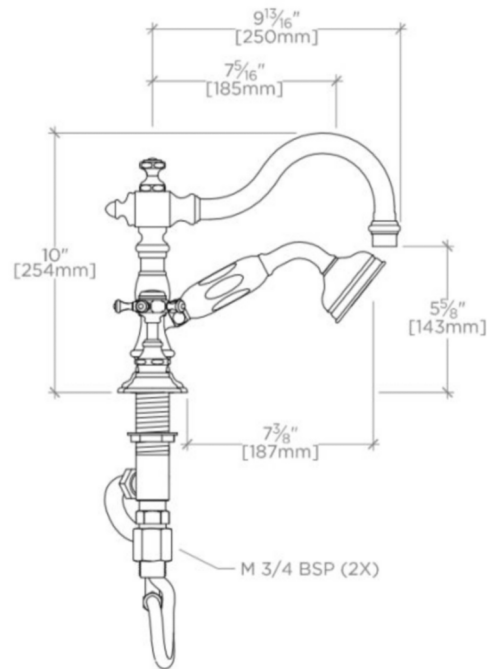
TOP VIEW

SCALE: 1 1/2" = 1'-0"



FRONT VIEW

SCALE: 1 1/2" = 1'-0"



SIDE VIEW

SCALE: 1 1/2" = 1'-0"