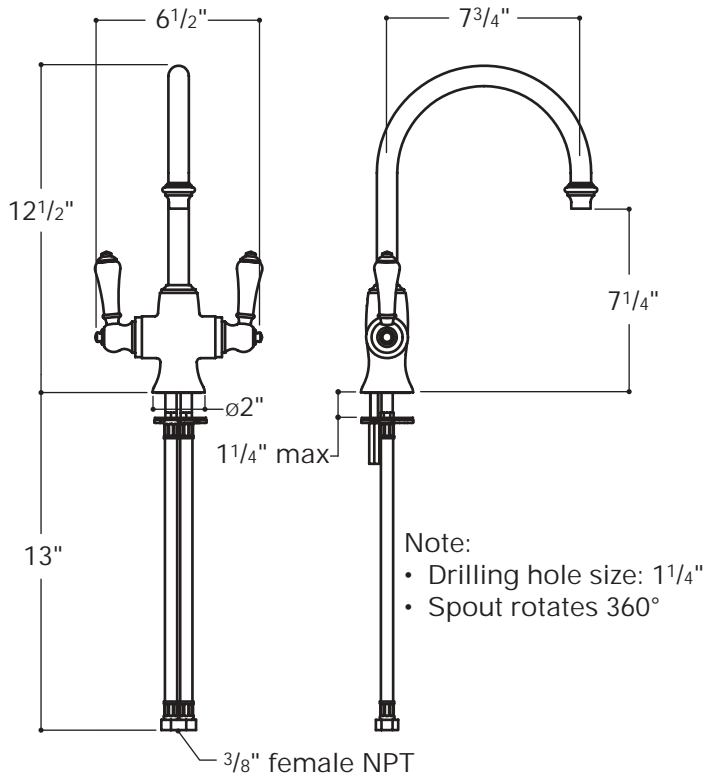


CAKM40 (porcelain handles)
CAKM42 (metal handles)



INSTALLATION GUIDELINES:

IMPORTANT:

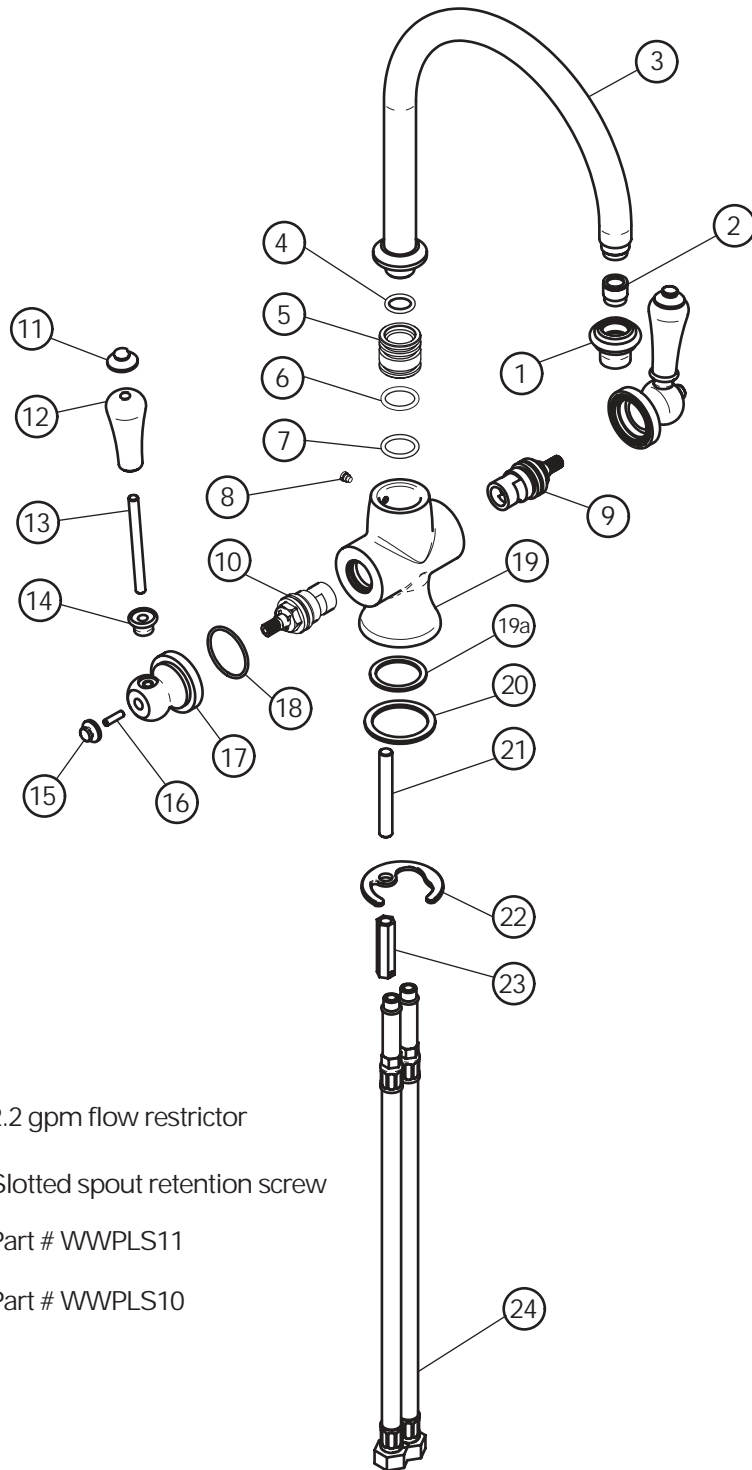
- To ensure this product is installed properly, you must read and follow these guidelines.
- The owner/user of the faucet must keep this information for future reference.
- Be sure your installation conforms to local codes.
- Refer to the specification and assembly drawings attached. This product is sold partially assembled but shown fully disassembled for illustrative and service purposes only.
- Inspect this product to assure you have all parts required for proper installation.
- Use only a strap wrench or protected/smooth-jaw wrench on any finished surface.
- If possible, install this assembly on the sink or mounting surface before setting.
- Do NOT use putty during this installation.

INSTALLATION:

1. Remove the spout attachment hardware(22,23) from the spout. Do NOT remove the threaded rod(21).
2. Verify that the supply hoses(24) are hand tight in the spout base(19).
3. With the supply hoses installed on the spout base, and the spout retention screw(8) facing away from the sink, insert the spout assembly(1-19a,21) through the spout hole of the mounting surface.
4. Place the spout gasket(20) and then spout washer(22) onto the threaded rod, making sure the hoses do not get pinched/kinked through the opening of the spout washer.
5. Tighten the 10mm barrel nut(23) onto the threaded rod to secure the spout to the mounting surface. Note that this nut can be flipped to accommodate different mounting surface thicknesses.
6. Connect each of the supply hoses to the water supply valves(not supplied), making sure the hoses are not pinched/kinked.

INSPECT THE INSTALLATION:

7. Unscrew and remove the aerator assembly(1,2) which includes a 2.2 GPM flow restrictor(2).
 8. Carefully open the hot and cold valves to flush out any debris in the supply lines.
 9. Inspect all connections for leaks.
 10. Close the valves and reinstall the aerator assembly.
- If further assistance is required, please contact Product Support at 1-800-927-2120 (8am-7pm EST).



- ② 2.2 gpm flow restrictor
- ⑧ Slotted spout retention screw
- ⑨ Part # WWPLS11
- ⑩ Part # WWPLS10

These guidelines have been prepared for the professional contractor to aid in the installation of: **CALAIS® KITCHEN MIXER(CAKM40-PORCELAIN HANDLES,CAKM42-METAL HANDLES)**

All dimensions are based on original specifications and are subject to change and variation. Please consult your Design Associate for current specifications.

W A T E R W O R K S®