

ViaWorks 3/4" Thermostatic Valve with Trim Adapter



SHOWN IN VIAWORKS 3/4" THERMOSTATIC VALVE WITH TRIM ADAPTER | GU38TH

TECHNICAL DETAILS

Fittings Hole Diameter: 133 mm
Inlet Connection Size: 3/4"
Inlet Connection Type: Female G/BSPP
Outlet Connection Size: 3/4"
Outlet Connection Type: Female G/BSPP
Primary Material: Brass
Valve Material: Bi-metal Strip
Water Pressure Maximum: 6.0 bar
Water Pressure Minimum: 1.5 bar
Water Pressure Recommended: 3.0 bar

INSPIRATION

The ViaWorks collection encompasses all Waterworks valves, which are just as impeccably engineered as our legendary fittings and the finest the industry has to offer in terms of performance, features and functionality. ViaWorks valves are engineered with more than three generations of bath and kitchen expertise, each with installers and lifelong service in mind.

CODES & STANDARDS

PRODUCT FEATURES

Integrated anti-scald protection.

3/4" inlet and outlet connections.

16 gpm (gallons per minute) unrestricted maximum flow at 60 psi

Unique flush plate to clear construction debris before thermostatic cartridge is installed

Made in Europe of Brass Construction

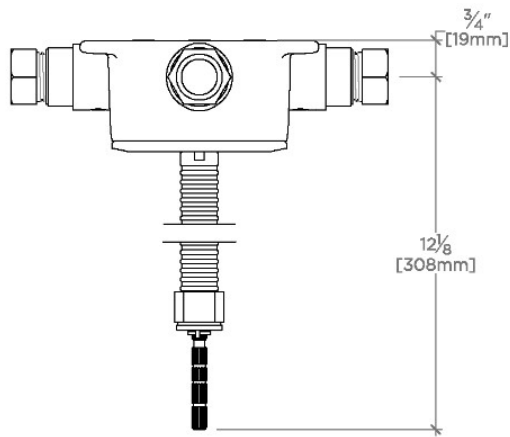
CERTIFICATIONS

PRODUCT (NOTES)

ViaWorks

GU38TH

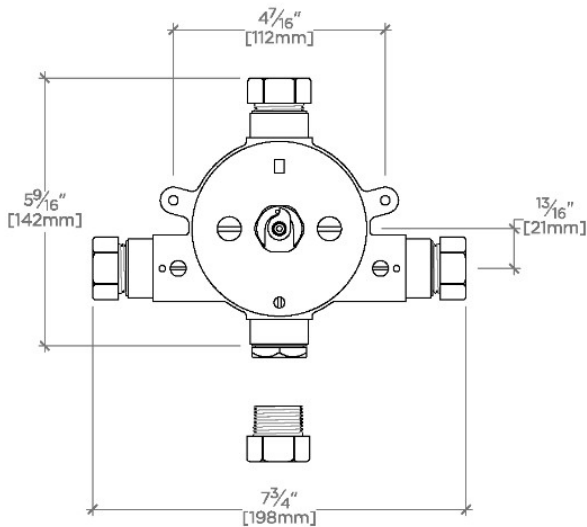
ViaWorks 3/4" Thermostatic Valve with Trim Adapter



TOP VIEW

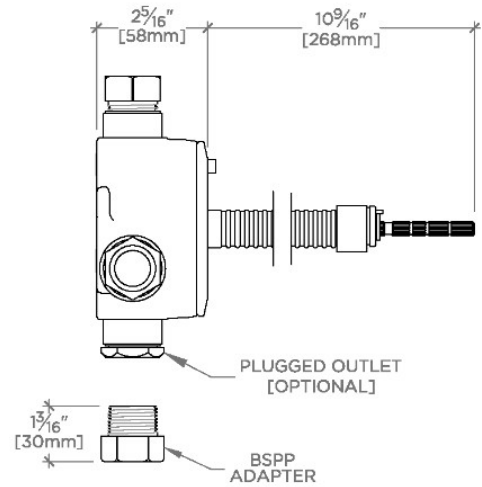
SCALE: 3"=1'-0"

ADAPTER(S) PACKAGED SEPARATELY		
ADAPTER	DESCRIPTION	QTY
UNUK01	3/4" Male NPT x 3/4" Female BSPP Adapter	4



FRONT VIEW

SCALE: 3"=1'-0"



SIDE VIEW

SCALE: 3"=1'-0"