

R.W. ATLAS

RWXT20

R.W. Atlas Exposed Wall Mounted Tub Filler with Handshower and Wheel Handles



SHOWN IN R.W. ATLAS EXPOSED WALL MOUNTED TUB FILLER WITH HANDSHOWER AND WHEEL HANDLES | RWXT20

TECHNICAL DETAILS

ADA Compliance: Yes
 Adjustable Versus Fixed Spray: Fixed Spray
 Deck Thickness Maximum: 2 1/2"
 Deck Thickness Minimum: 0"
 Depth/Width: 14 3/8"
 Diameter Of Head: 1 7/8"
 Escutcheon Primary Material: Brass
 Fittings Hole Diameter: 1 1/8"
 Flow Restriction Options: 2.5, 2.0, 1.75, 1.5, 0.92
 Handle Spread Maximum: 8"
 Handle Spread Minimum: 8"
 Handle Turn Angle: Quarter Turn
 Height: 7 11/16"
 Inlet Connection Size: 3/4"
 Inlet Connection Type: Female Union Nut
 Inlet Supply Spread Maximum: 8"
 Inlet Supply Spread Minimum: 8"
 Installation Type: Deck Mounted
 Integrated Diverter: N
 Integrated Spray: N
 Length: 12 5/8"
 Number Of Handles: Two
 Primary Material: Brass
 Restricted Maximum Flow Rate: 1.75 gpm
 Suggested Application: Bath
 Valve Material: Ceramic
 Water Pressure Maximum: 85.0 psi
 Water Pressure Minimum: 20.0 psi
 Water Pressure Recommended: 45.0 psi

INSPIRATION

Powerful shapes, genuine materials and unique aesthetic details. The original, impeccable vision of R.W. Atlas pairs American ingenuity with European craftsmanship.

CODES & STANDARDS

RWXT20-F.RX, ASME A112.18.1/CSA B125.1, Waterworks Handshowers use check valves compliant to ASME A112.18.3 for backflow protection. CEC, State of MA

PRODUCT FEATURES

Includes Wall Unions

A handshower adds a degree of comfort, making it easy to rinse the bath or even a pet.

Unrestricted (spout) water flow of approximately 12 gpm (45 L/min).

Stocked in 2.5gpm (9.5 L/min) and 1.75gpm (6.6 L/min) for handshower. State of California requires 1.75gpm (6.6 L/min) to comply with their water conservation requirements. Other flow options are available to order, contact your sales associate or call 1 (800) 899-6757 for details.

CERTIFICATIONS



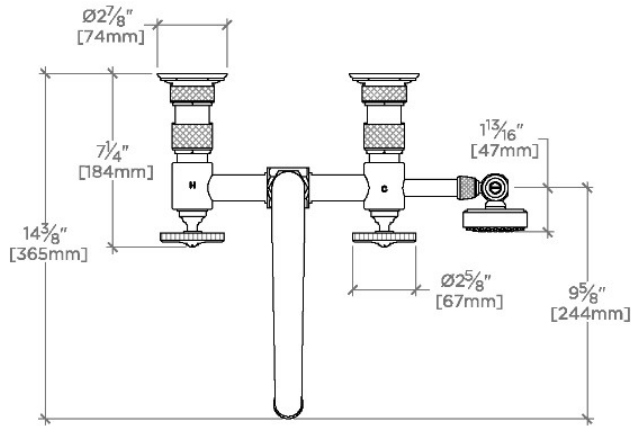
PRODUCT (NOTES)

WATERWORKS

R.W. ATLAS

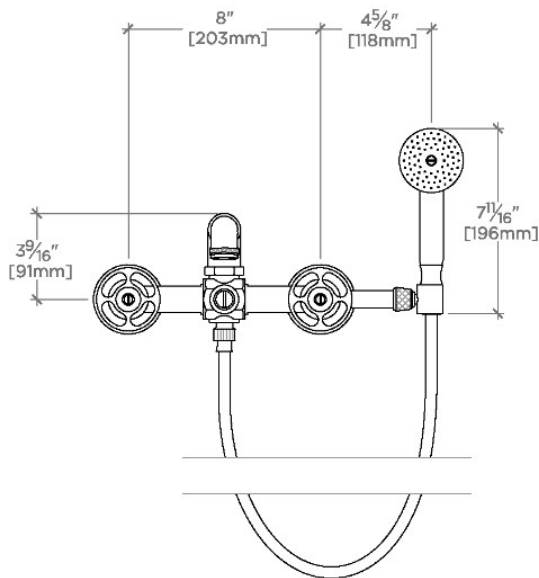
RWXT20

R.W. Atlas Exposed Wall Mounted Tub Filler with Handshower and Wheel Handles



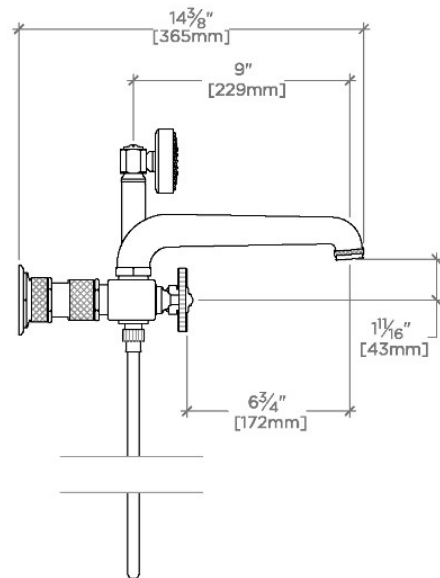
TOP VIEW

SCALE: $1\frac{1}{2}"=1'-0"$



FRONT VIEW

SCALE: $1\frac{1}{2}"=1'-0"$



SIDE VIEW

SCALE: $1\frac{1}{2}"=1'-0"$