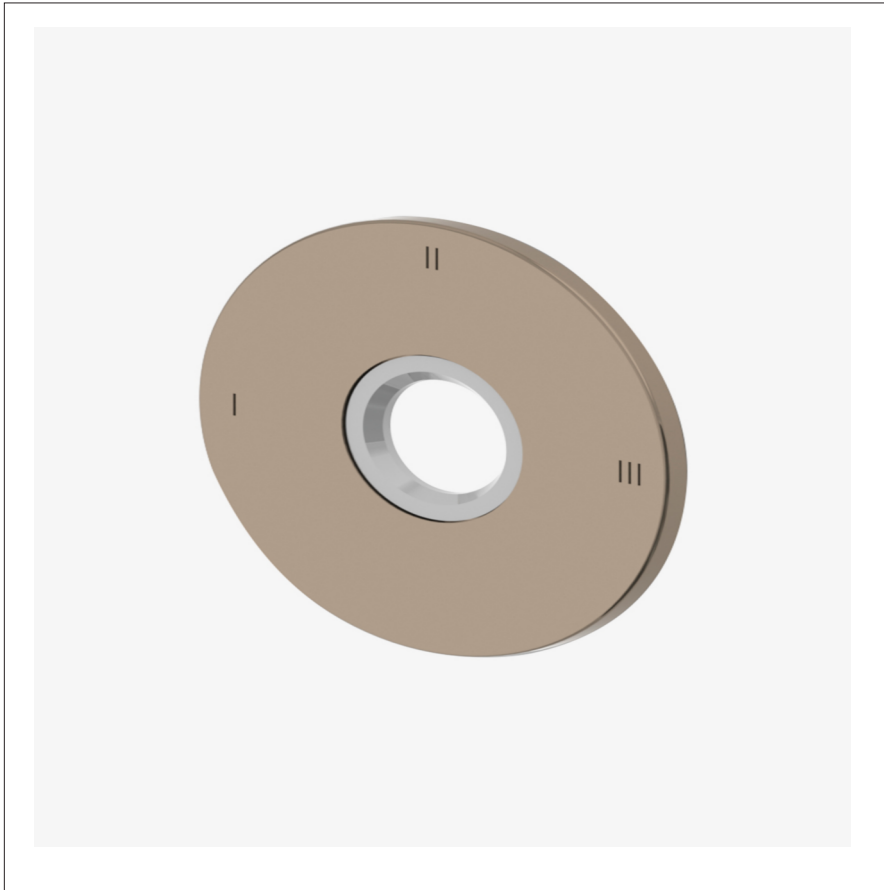


UNIVERSAL

UN3PR1

Universal Three Way Diverter Valve Trim for Pressure Balance with Roman Numerals



SHOWN IN UNIVERSAL THREE WAY DIVERTER VALVE TRIM FOR PRESSURE BALANCE WITH ROMAN NUMERALS| UN3PR1

TECHNICAL DETAILS

ADA Compliance: Yes
Depth / Width: 5 mm
Height: 95 mm
Length: 95 mm
Primary Material: Brass
Suggested Application: Bath

INSPIRATION

Our Universal collection features timeless designs complementing any of our Waterworks. With a wide range of product, from fittings to accessories, Universal adds exquisite proportion and balance to any environment.

PRODUCT FEATURES

Allows water to be switched between three different water features such as a shower head, handshower, rain head, or spray bars

For use with all Waterworks families of diverter handle trims

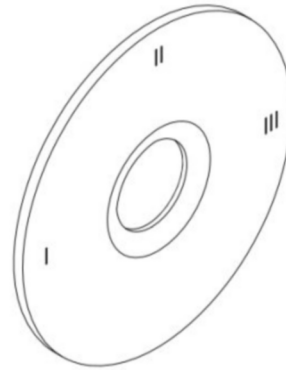
Three Roman numeral icons correspond to the handle positions and allow multiple configurations. Custom icons are also available as special order

Configured without shutoff position

UNIVERSAL

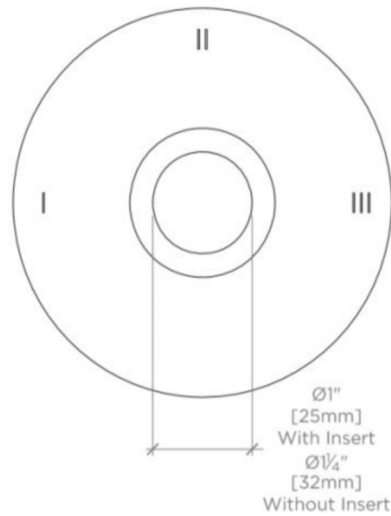
UN3PR1

Universal Three Way Diverter Valve Trim for Pressure Balance
with Roman Numerals



TOP VIEW

SCALE: 6"=1'-0"



FRONT VIEW

SCALE: 6"=1'-0"



SIDE VIEW

SCALE: 6"=1'-0"