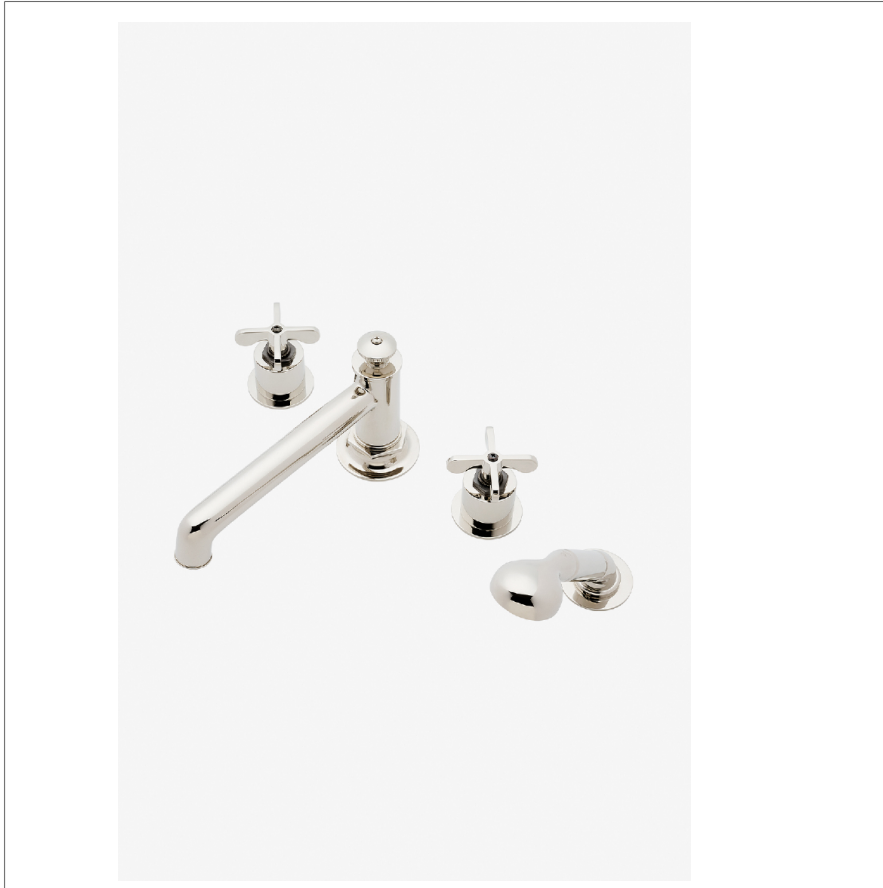


Henry

HTF102

Henry Concealed Tub Filler with Handshower and Two Tone Cross Handles



SHOWN IN HENRY CONCEALED TUB FILLER WITH HANDSHOWER AND TWO TONE CROSS HANDLES | HTF102

TECHNICAL DETAILS

ADA Compliance: No
 Deck Thickness Maximum: 54 mm
 Deck Thickness Minimum: 13 mm
 Fittings Hole Diameter: 35 mm
 Handle Spread Minimum: 203 mm
 Handle Turn Angle: Quarter Turn
 Handshower Spray Hose Length: 1.5 m
 Inlet Connection Size: 3/4"
 Inlet Connection Type: Male NPT
 Integrated Diverter: Y
 Number Of Holes: Four Hole
 Primary Material: Brass
 Restricted Maximum Flow Rate: 6.6 liters/min
 Valve Material: Brass and Ceramic
 Water Pressure Maximum: 6.0 bar
 Water Pressure Minimum: 1.5 bar
 Water Pressure Recommended: 3.0 bar

INSPIRATION

Celebrating the connection of industry and art, Henry transitions effortlessly between modern, traditional, and classic settings. These iconic fittings blend 19th-century industrial and artistic references for a look that's forever of the moment—familiar yet wholly original.

CODES & STANDARDS

HTF102-F.RX, ASME A112.18.1/CSA B125.1, CEC(1.5GPM & 1.75GPM Only), WaterSense(1.5GPM & 1.75GPM Only), DOE, State of MA, NOM-008, NOM-012

PRODUCT FEATURES

- Two-Tone Cross Handles
- Solid Brass Construction
- Diverter Knob Allows Bather to Move Water From Spout to Handshower
- Stocked in Nickel/Dark Nickel and Brass/Dark Nickel
- Unrestricted Flow for Tub Spout. Handshower Available in 1.75gpm (6.6L/min) Flow Rate

CERTIFICATIONS

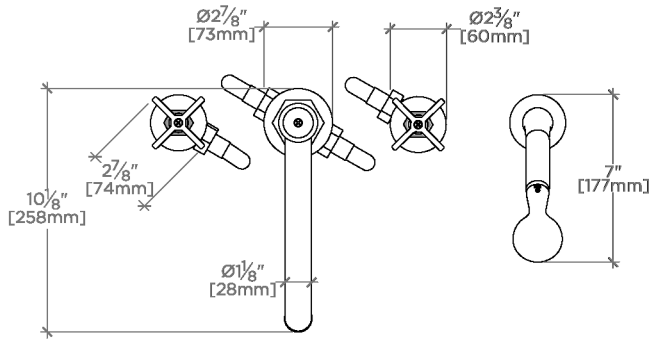


PRODUCT (NOTES)

Henry

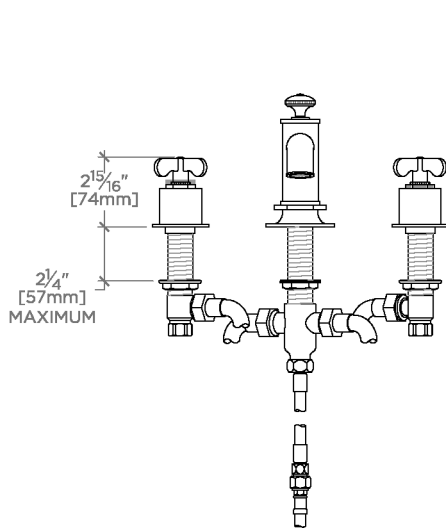
HTF102

Henry Concealed Tub Filler with Handshower and Two Tone Cross Handles



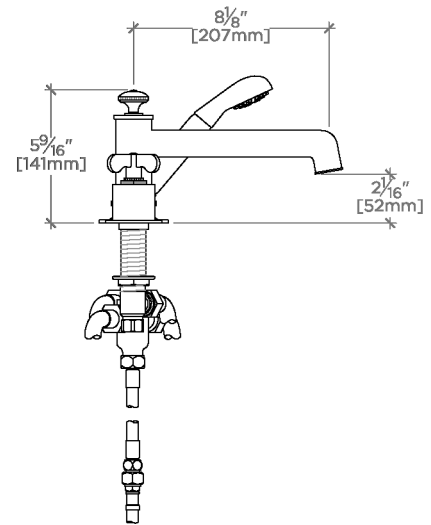
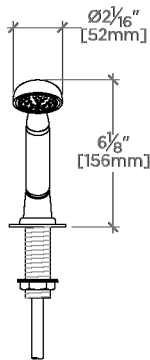
TOP VIEW

SCALE: 1/2"=1'-0"



FRONT VIEW

SCALE: 1/2"=1'-0"



SIDE VIEW

SCALE: 1/2"=1'-0"